



RFM Integrated Device, Inc.

PRODUCT SPECIFICATION

Part Number: CF1022

Description:
FILTER,LTCC LOW
PASS,869.5 MHz, BW 91
MHz , IL 0.85 dB

Preliminary

A. MAXIMUM RATING:

- 1. Operating temperature range: -40°C to +85°C
- 2. Storage temperature range: -40 °C to +85 °C
- 3. Moisture Sensitive Level: Level 1 (MSL1)



B. ELECTRICAL CHARACTERISTICS:

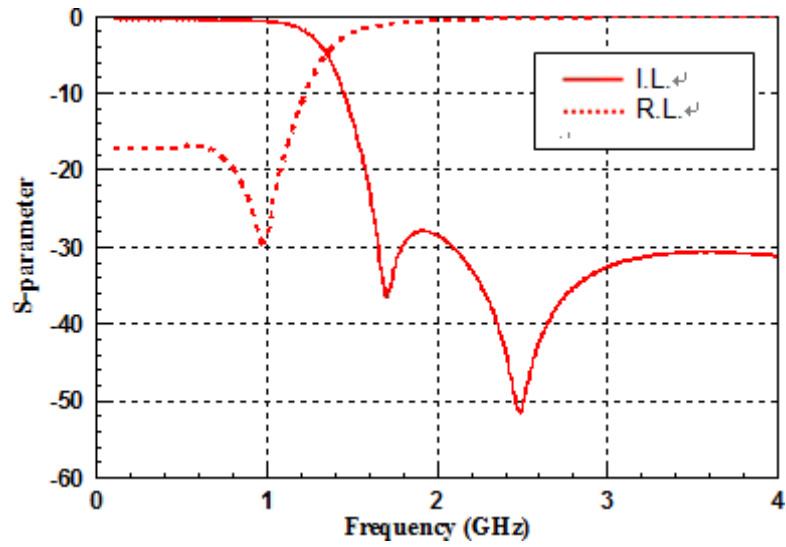
Source impedance (unbalanced) : $Z_s = 50 \Omega$

Load Impedance (balanced) : $Z_L = 50 \Omega$

Item		Unit	Spec
Frequency Range		MHz	824~915(869.5)
Insertion loss	+25°C	dB	0.65 Max
	-40°C ~ +85°C	dB	0.85 Max
Attenuation (Reference level from 0 Db)			
1648 ~ 1830 MHz		dB	25 Min
2472 ~ 2745 MHz		dB	25 Min
3296 ~ 3660 MHz		dB	25 Min
VSWR			2.0 Max

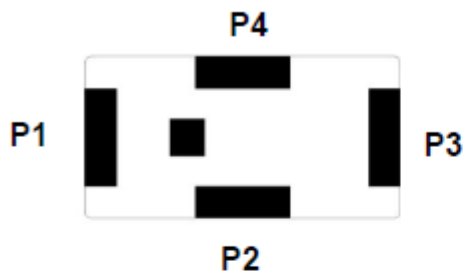
C. FREQUENCY CHARACTERISTICS:

Frequency Response



D. Outline Drawing:

CONSTRUCTION

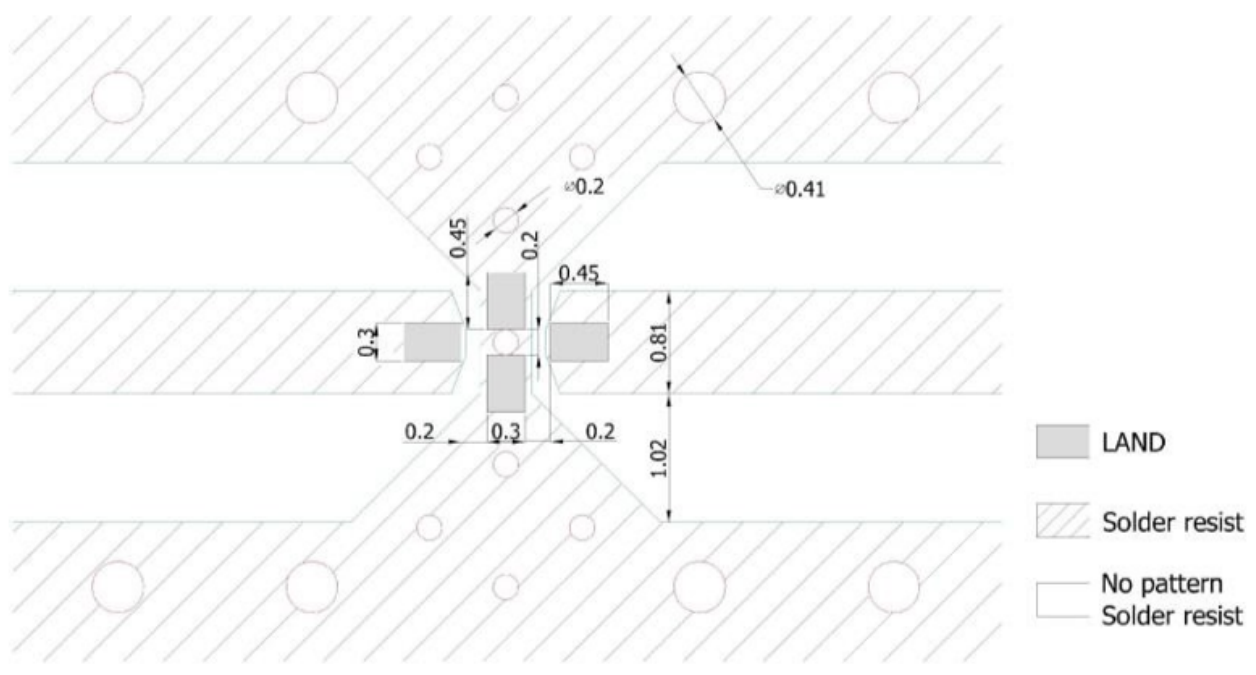


PIN	Connection
1	Input port
2	GND
3	Output port
4	GND

DIMENSIONS

Figure	Symbol	Dimension (mm)
	L	1.00 ± 0.10
	W	0.50 ± 0.10
	T	0.40 ± 0.10
	A	0.35 ± 0.10
	B	0.30 ± 0.10
	C	0.15 ± 0.10
	D	0.15 ± 0.10
E	0.30 ± 0.10	

E. PCB Footprint:

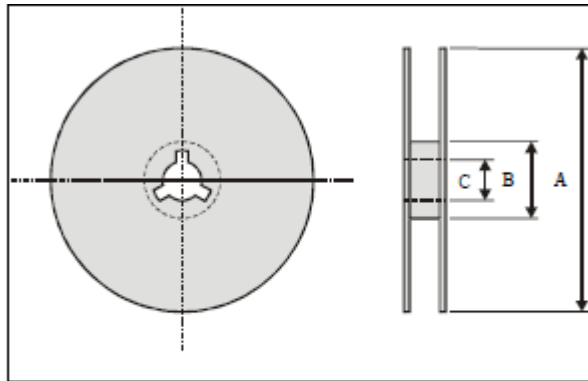


Unit : mm

Line width to be designed to match 50 Ω characteristic impedance, depending on PCB material and thickness.

F. PACKING:

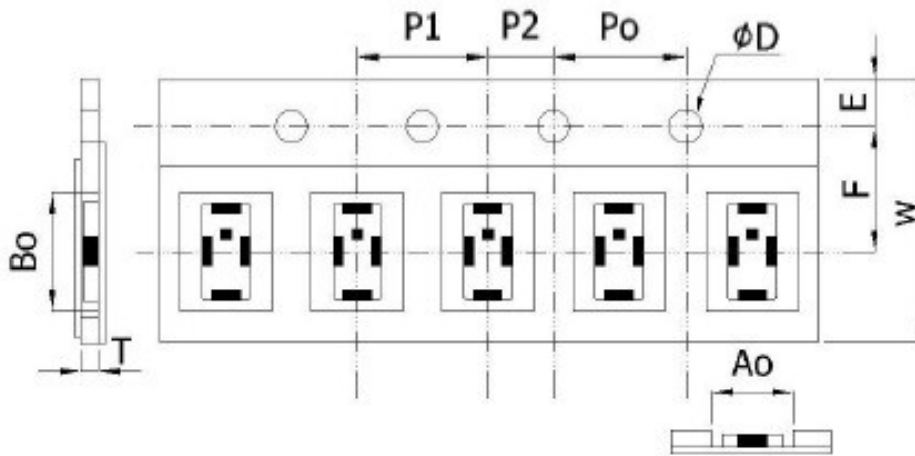
1. REEL DIMENSION (4000 PCS)



Index	A	B	C
Dimension (mm)	Φ178.0	Φ60.0	Φ13.0

2. TAPE

DIMENSION (unit :mm)



Paper Tape specifications (unit :mm)

Index	A ₀	B ₀	ΦD	T	W
Dimension (mm)	0.67 ± 0.10	1.14 ± 0.10	1.50 ± 0.10	0.42 ± 0.10	8.0 ± 0.30
Index	E	F	P ₀	P ₁	P ₂
Dimension (mm)	1.75 ± 0.10	3.50 ± 0.20	4.00 ± 0.10	2.00 ± 0.10	2.00 ± 0.10

G. RECOMMENDED REFLOW PROFILE:

1. Preheating shall be fixed at 150~180°C for 60~90 seconds.
2. Ascending time to preheating temperature 150°C shall be 30 seconds min.
3. Heating shall be fixed at 220°C for 50~80 seconds and at 245~260°C peak (min. 10sec).
4. Time : 2 times.

