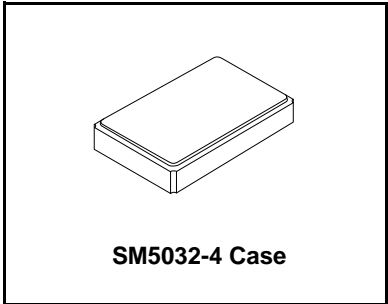


XTL1025

**27.13438 MHz
Crystal Unit**



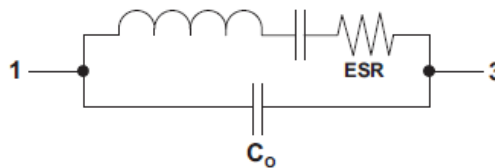
- **High Performance Crystal**
- **Good Frequency Stability and Reliability**
- **Miniature SMD Package**
- **Complies with Directive 2002/95/EC (RoHS)**
- **Moisture Sensitivity Level: 1**

The XTL1025 is a surface mount 5.0 x 3.2 mm crystal unit for use in wireless telecommunications devices, especially where a miniature package is needed for mobility.

Electrical Characteristics

Characteristic	Sym	Notes	Minimum	Typical	Maximum	Units
Nominal Frequency				27.13438		MHz
Mode of Oscillation	f_o			Fundamental		
Storage Temperature Range in Tape and Reel			-40		+85	°C
Component Storage Temperature Range			-50		+125	°C
Component Operating Temperature Range			-20		+70	°C
Frequency Manufacturing Tolerance	f_L		± 30 ppm @ 25 °C ± 3 °C			
Frequency Stability over Operating Temperature Range			± 30 ppm (referenced to the value at 25 °C)			
Drive Level				10	100	μ W
Equivalent Series Resistance	ESR				40	Ω
Shunt Capacitance	C_o				2.0	pF
Load Capacitance	C_L			12.0		pF
Insulation Resistance, 100 VDC			500			M Ω
Standard Shipping Quantity on 330 mm (13") Reel				3000		units
Lid Symbolization (Y = year, WW = week, S = shift)			1025 YWWS			

Crystal Equivalent Circuit



CAUTION: Electrostatic Sensitive Device. Observe precautions for handling.

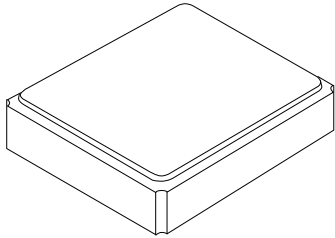
NOTES:

1. The design, manufacturing process, and specifications of this device are subject to change.
2. US or International patents may apply.
3. RoHS compliant from the first date of manufacture.

SM5032-4 Case

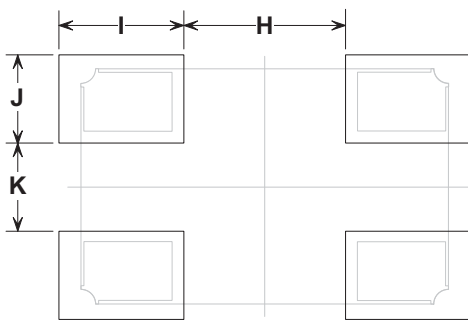
4-Terminal Surface-Mount Seam Weld Case

5.0 x 3.2 mm Nominal Footprint

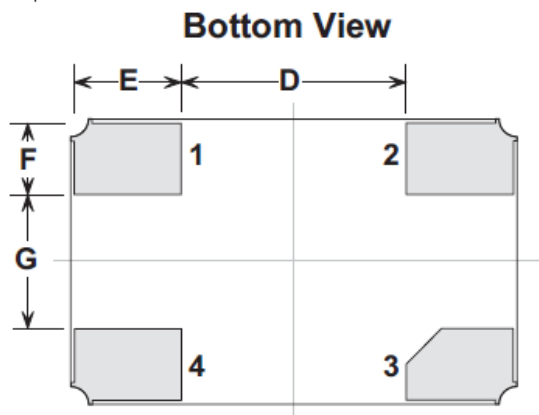
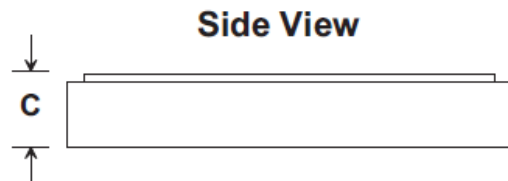
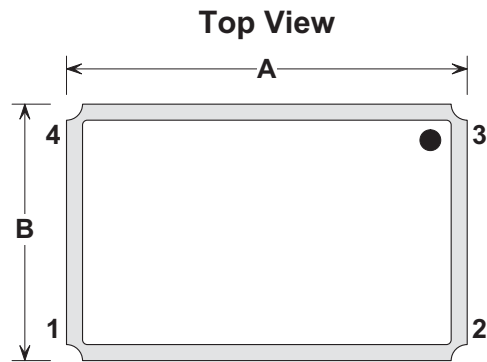


Electrical Connections

Connection	Terminals
Input / Output	1
Ground	2
Input / Output	3
Ground	4



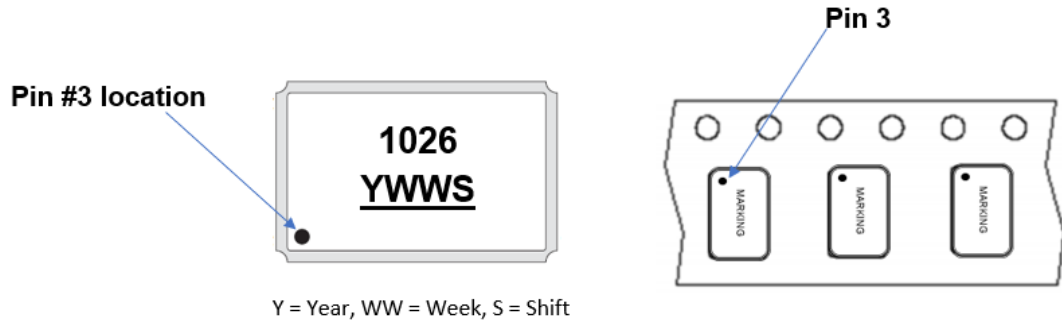
Typical PCB Land Footprint
(Top View)



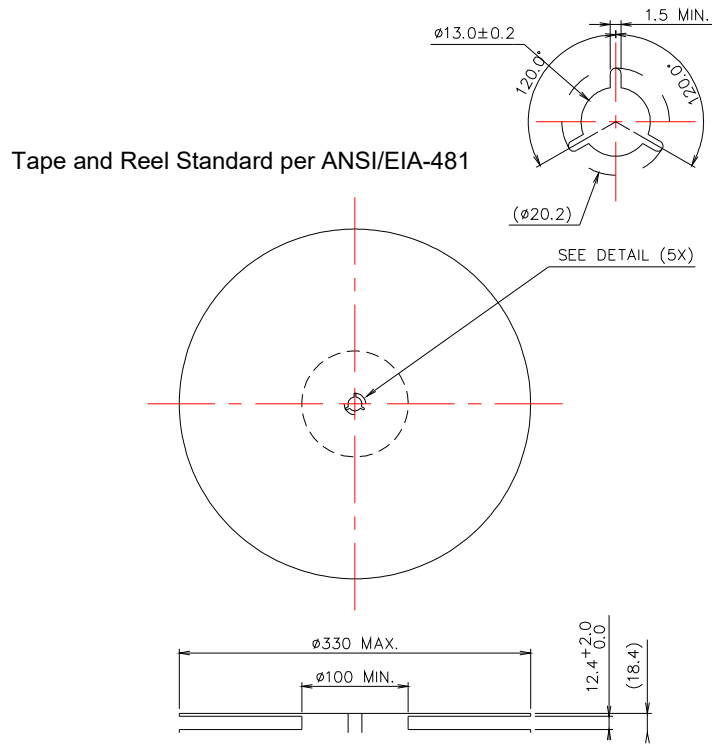
Case and PCB Land Dimensions

Dimensions	Millimeters			Inches		
	Min	Nom	Max	Min	Nom	Max
A	4.90	5.00	5.10	0.193	0.197	0.200
B	3.10	3.20	3.30	0.122	0.126	0.130
C	0.70	0.80	0.90	0.028	0.031	0.035
D	2.20	2.40	2.60	0.087	0.094	0.102
E	1.10	1.20	1.30	0.043	0.047	0.051
F	1.20	1.40	1.60	0.047	0.055	0.063
G	0.70	0.80	0.90	0.028	0.031	0.035
H	2.10	2.20	2.30	0.083	0.087	0.091
I	1.60	1.70	1.80	0.063	0.067	0.071
J	1.10	1.20	1.30	0.043	0.047	0.051
K	1.10	1.20	1.30	0.043	0.047	0.051

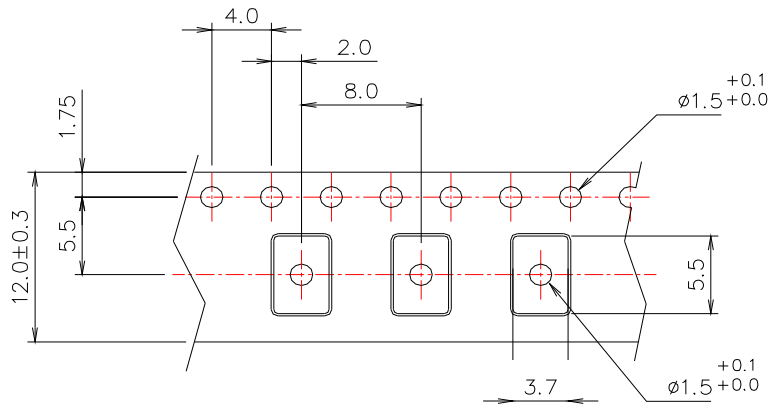
Marking:



Reel Dimensions



Tape Dimensions



Notes:

1. Unless otherwise specified, tolerance on dimensions is ± 0.1 mm
2. Material is black conductive polystyrene
3. 10 pitch cumulative tolerance is ± 0.2 mm

Recommended Reflow Profile

1. Preheating shall be fixed at 150~180°C for 60~90 seconds.
2. Ascending time to preheating temperature 150°C shall be 30 seconds min.
3. Heating shall be fixed at 220°C for 50~80 seconds and at 260°C +0/-5°C peak (10 seconds).
4. Time: 5 times maximum.

