

BF2000LM

**2442 MHz
BAW Filter**



Maximum Rating:

- ▽ Input Power Level : 25dBm (Ta=+50deg C,5kh.)
- ▽ DC Voltage : 0V
- ▽ Operating Temperature: -40°C to +105°C
- ▽ Operable Temperature: -40°C to +125°C
- ▽ Storage Temperature: -55°C to +125°C
- ▽ Moisture Sensitivity Level: Level 1
- ▽ ESD 50V(MM) 100V(HBM)

Electrical Characteristics:

Item	Unit	Min.	Typ.	Max.	Note	
Center Frequency	MHz	-	2442			
Insertion Loss	2402.5~2421.5 MHz	dB	-	2.7	3.4	(*1) (*2)CH1
	2407.5~2426.5 MHz	dB	-	2.2	2.5	(*1) (*2)CH2
	2412.5~2471.5 MHz	dB	-	1.8	2.2	(*1) (*2)CH3 to 11
	2457.5~2476.5 MHz	dB	-	1.9	2.5	(*1) (*2)CH12
	2462.5~2481.5 MHz	dB	-	2.9	3.5	(*1) (*2)CH13
	2402.5~2481.5 MHz	dB	-	2.2	2.5	(*1) (*2)+25°C
Amplitude Ripple	2402.5 ~ 2481.5 MHz	dB	-	1.7	3.5	Any 19 MHz
VSWR(Input)	2402.5 ~ 2481.5 MHz	-	-	1.6	2.0	
VSWR(Output)	2402.5 ~ 2481.5 MHz	-	-	1.6	2.0	
Attenuation (reference level from 0 dB)						

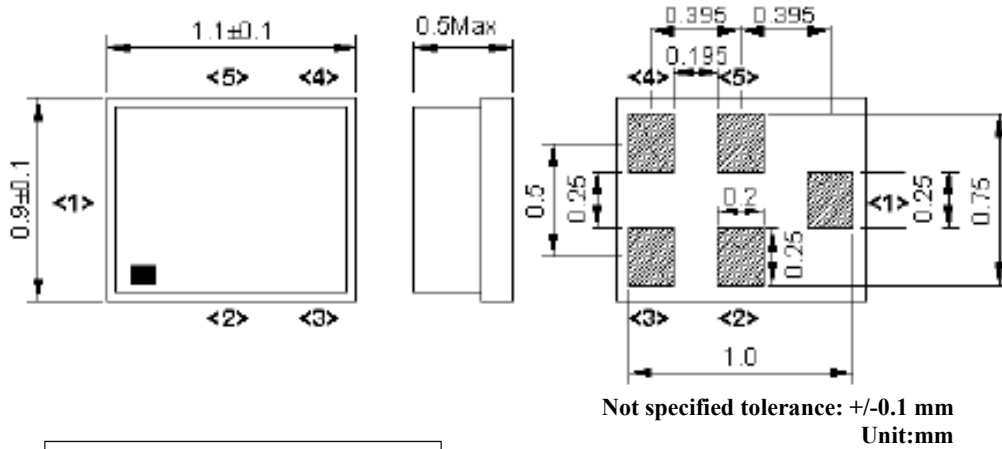
699 ~ 960 MHz	dB	40	44	-	-
1425 ~ 2170 MHz	dB	30	38	-	
2300 ~ 2365 MHz	dB	45	51	-	
2365 ~ 2370 MHz	dB	47	58	-	(*3)
2370 ~ 2380 MHz	dB	27	46	-	(*3)at 25°C
2496 ~ 2500 MHz	dB	10	19	-	(*3)-30 to -20°C
	dB	20	35	-	(*3)-20 to +85°C
2500 ~ 2505 MHz	dB	26	39	-	(*3)-30 to -20°C
	dB	30	44	-	(*3)-20 to -10°C
	dB	42	51	-	(*3)-10 to +85°C
2505 ~ 2570 MHz	dB	43	49	-	
2505 ~ 2690 MHz	dB	39	44	-	
4900 ~ 5805 MHz	dB	34	40	-	
7200 ~ 7500 MHz	dB	29	35	-	

(*1) Specification of insertion loss excludes loss that comes from the test board.

(*2) Integrated Insertion Loss over 19MHz CH BW.

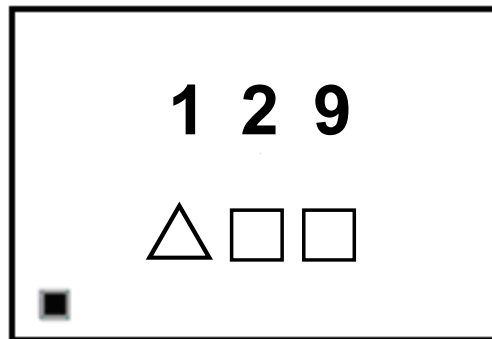
(*3) Integrated attenuation over 5MHz CH BW.

Outline Drawing



Pin Configuration		
1	IN	Input
2	GND	Ground
3	GND	Ground
4	OUT	Output
5	GND	Ground

Top View (Mass Production)



Marking name : 129

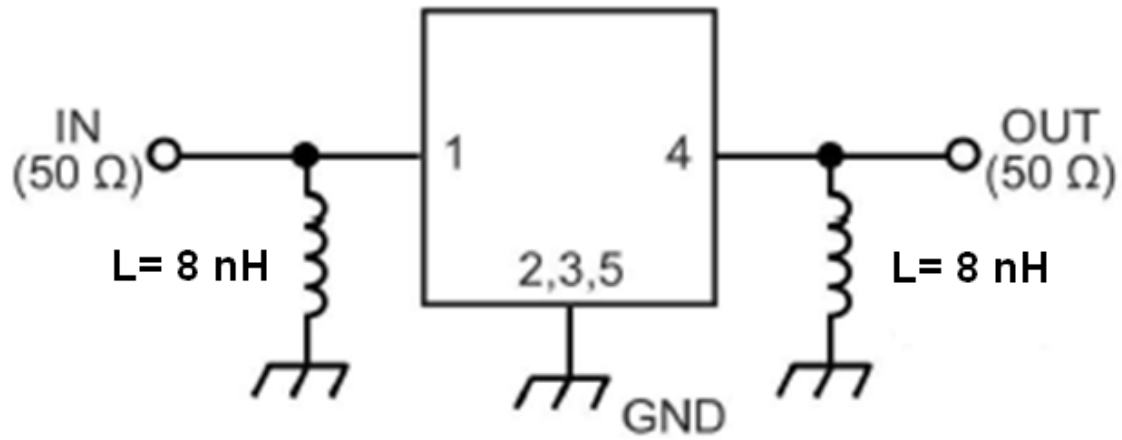
△ : Date Code

□ □ : Lot No. (Indicated by 0~9 or A to Z and a to z, except I, O, i, o and l)

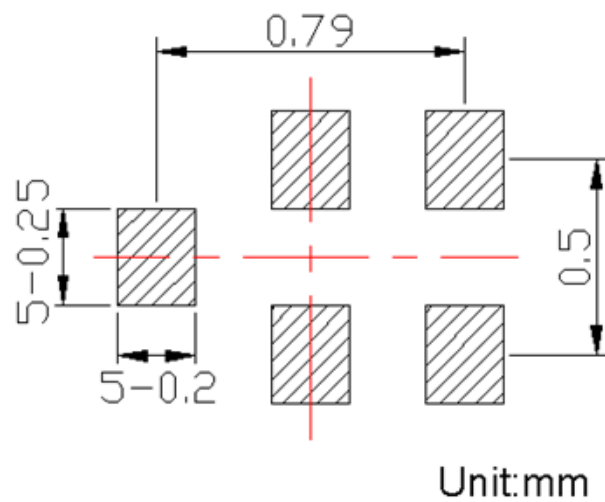
Date Code. Follow below table. (4-year cycle)

Year	Jan	Feb	Mar	Apr	May	Jun	Jul	Aug	Sep	Oct	Nov	Dec
2019 / 2023	a	b	c	d	e	f	g	h	j	k	l	m
2020 / 2024	n	p	q	r	s	t	u	v	w	x	y	z
2021 / 2025	A	B	C	D	E	F	G	H	J	K	L	M
2022 / 2026	N	P	Q	R	S	T	U	V	W	X	Y	Z

Real Circuit

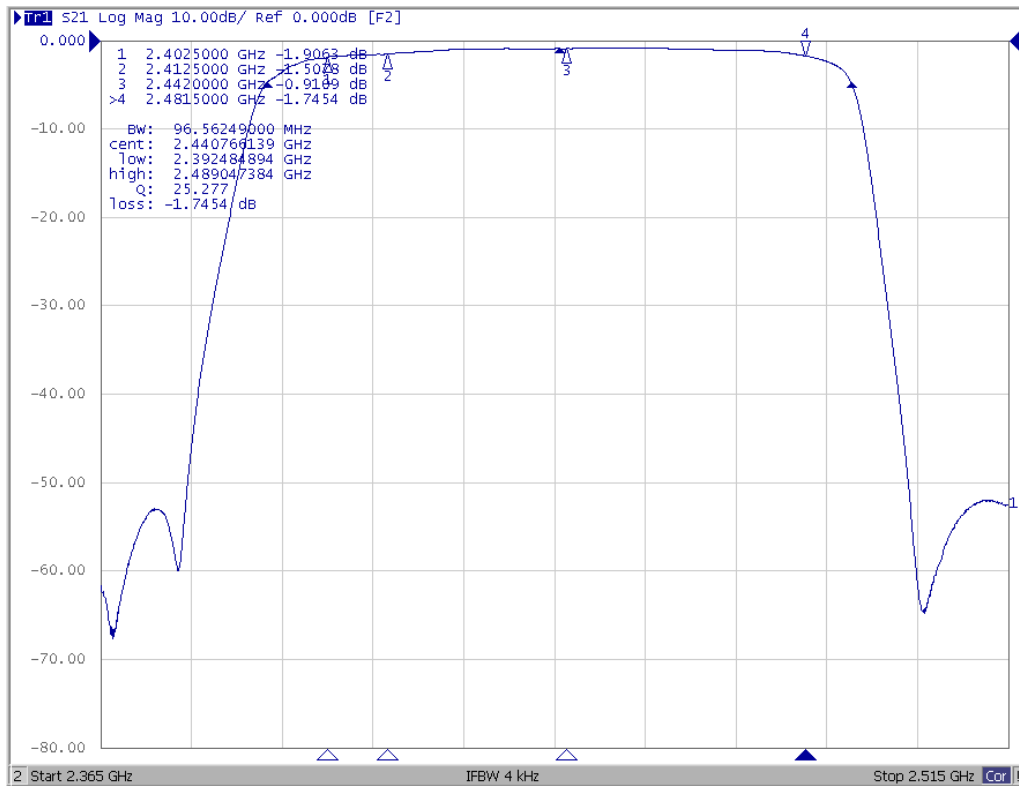
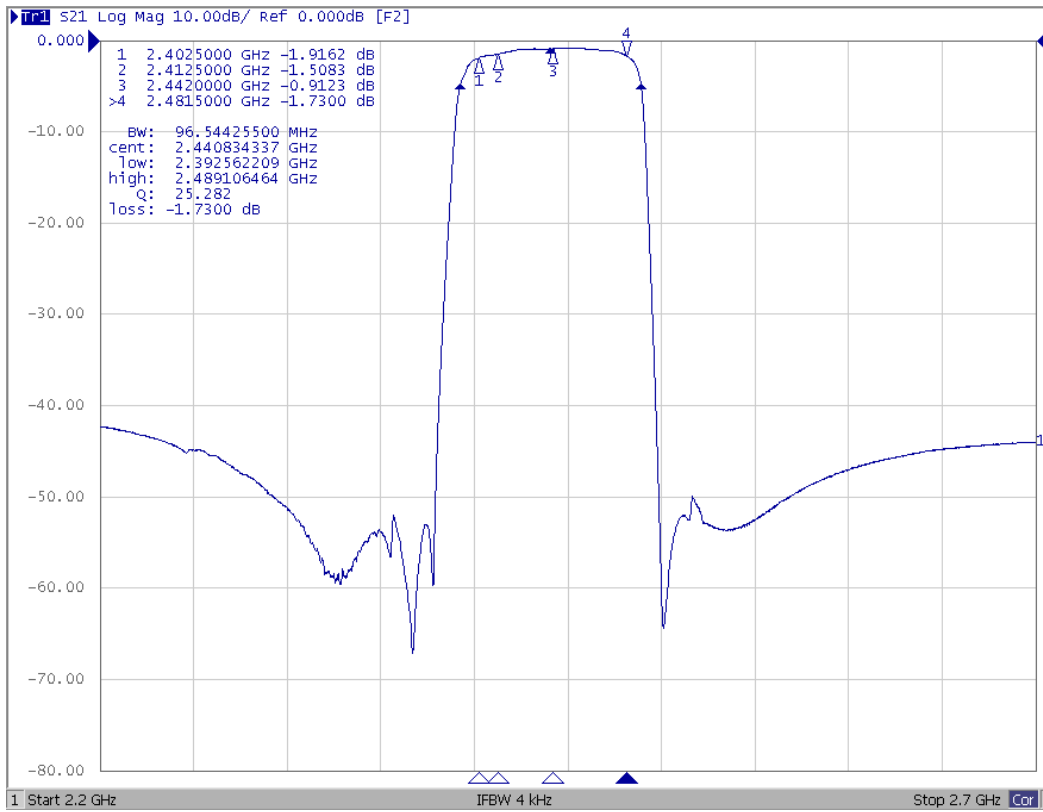


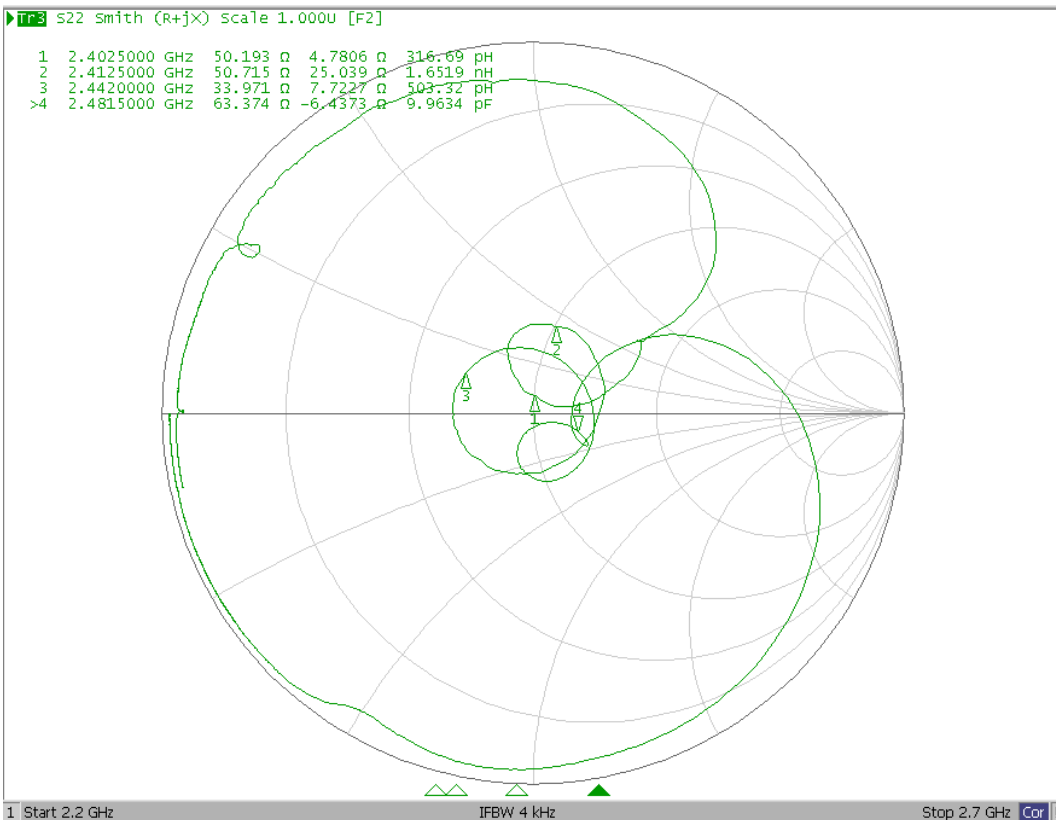
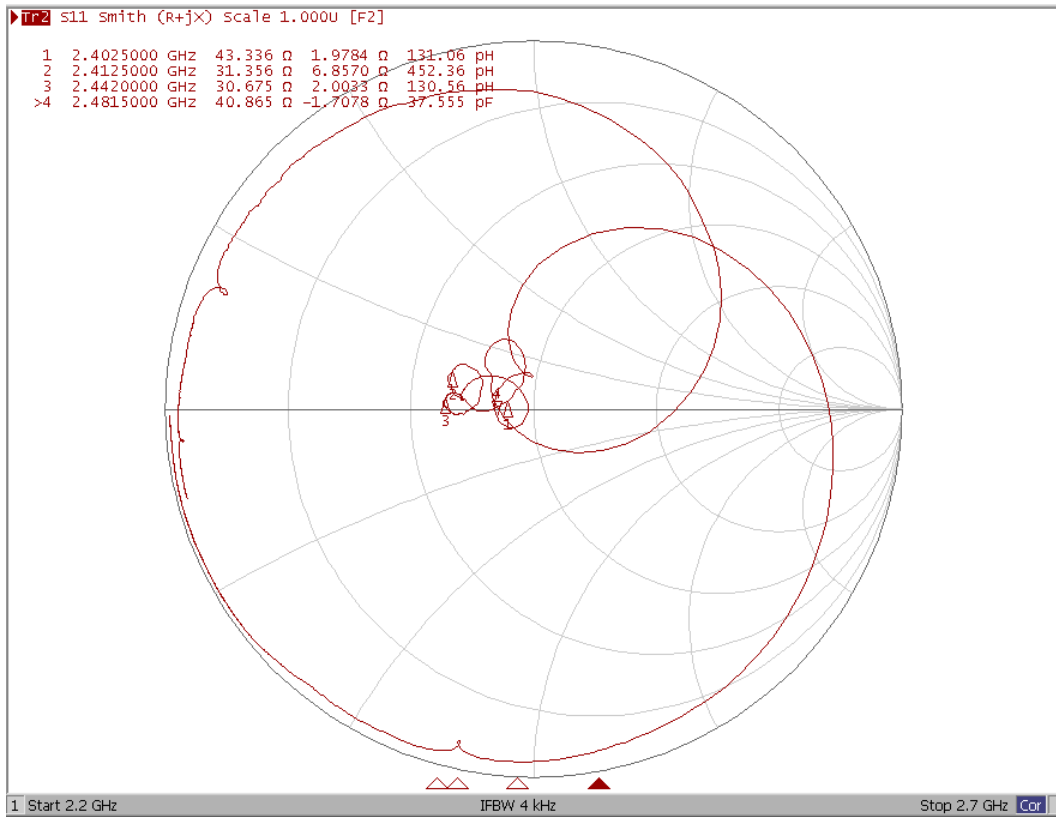
PCB Footprint

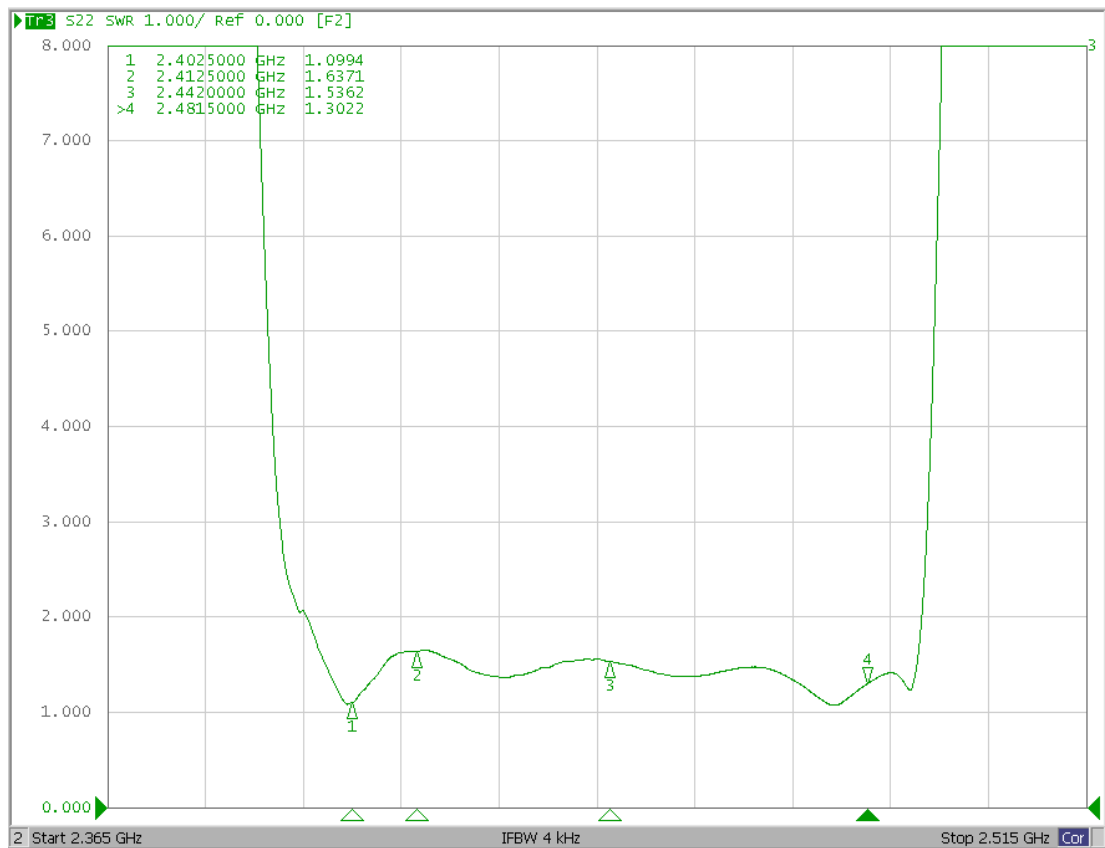
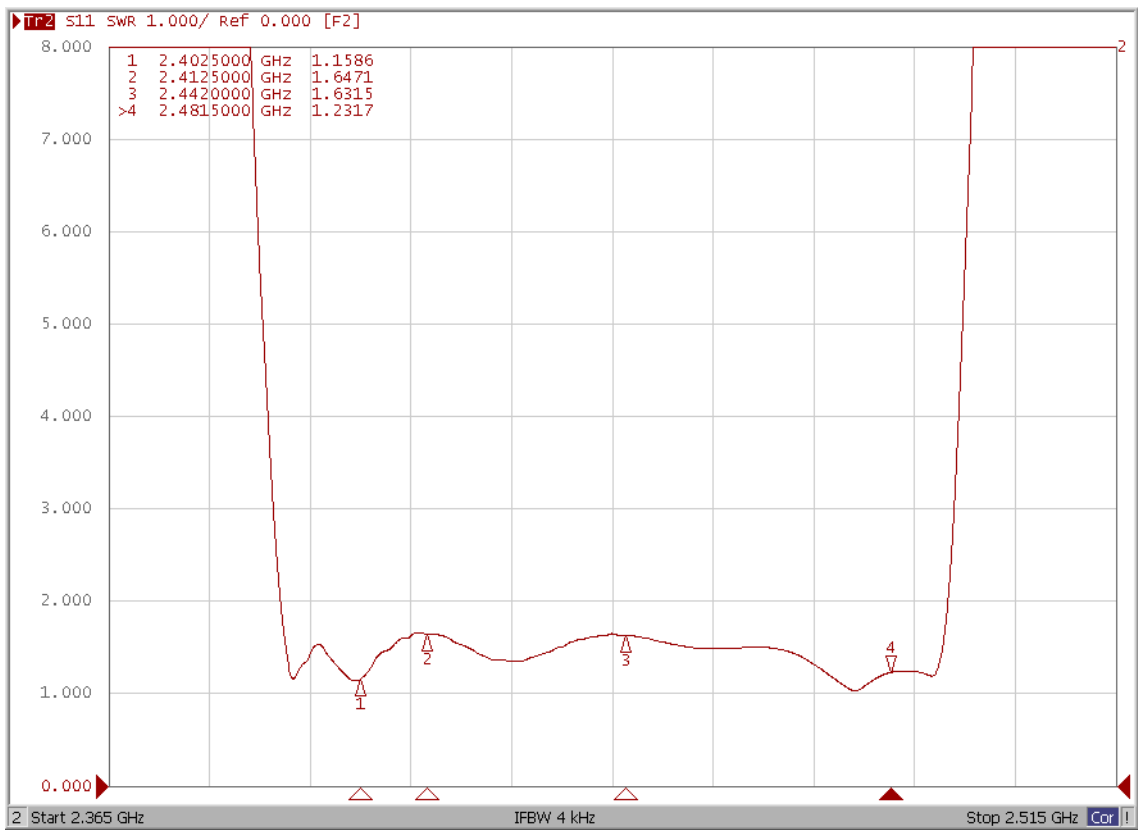


Frequency Characteristics

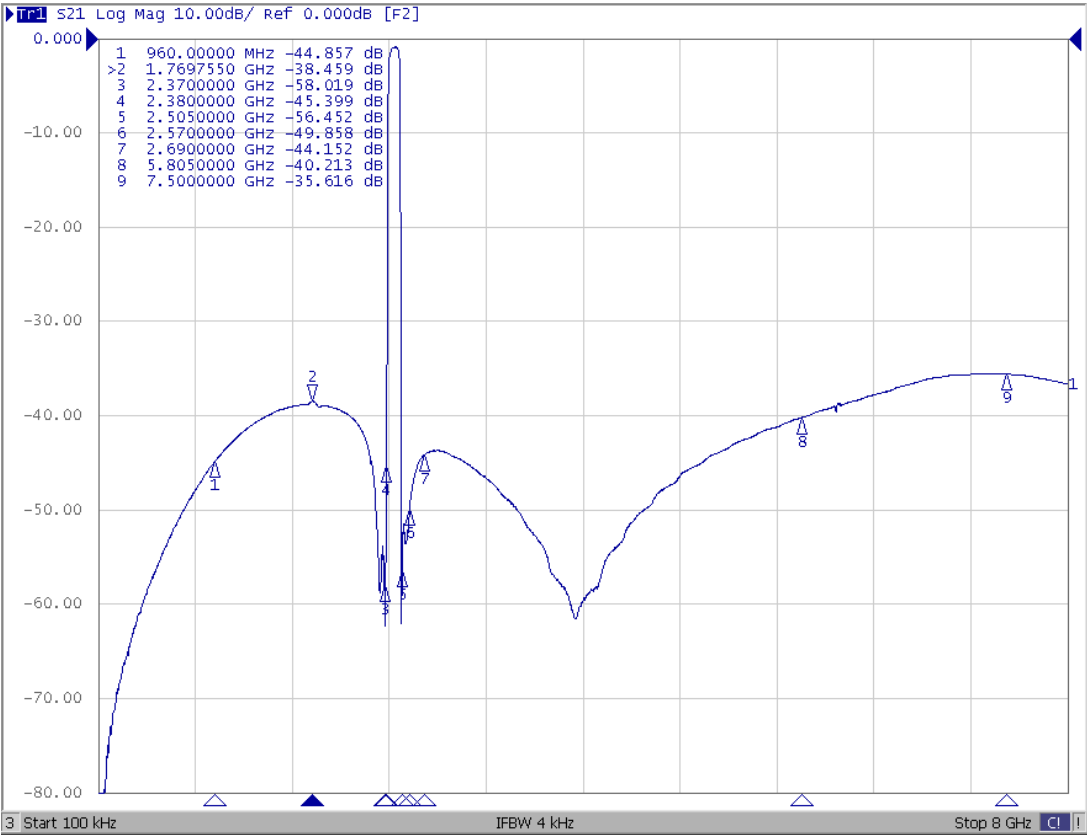
Passband







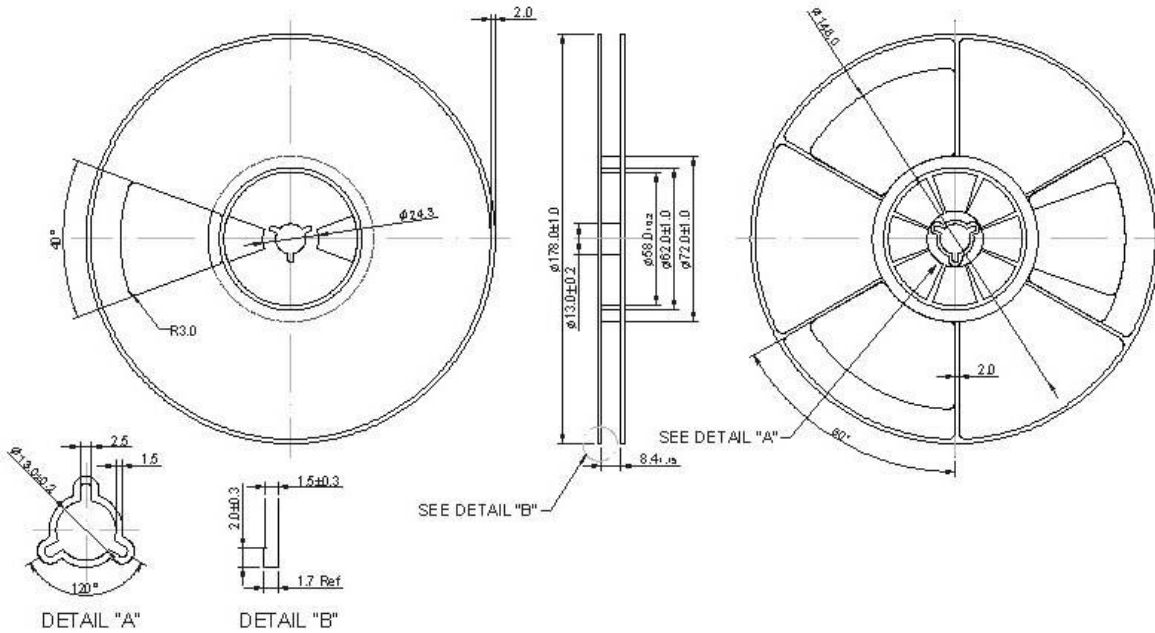
Wide span



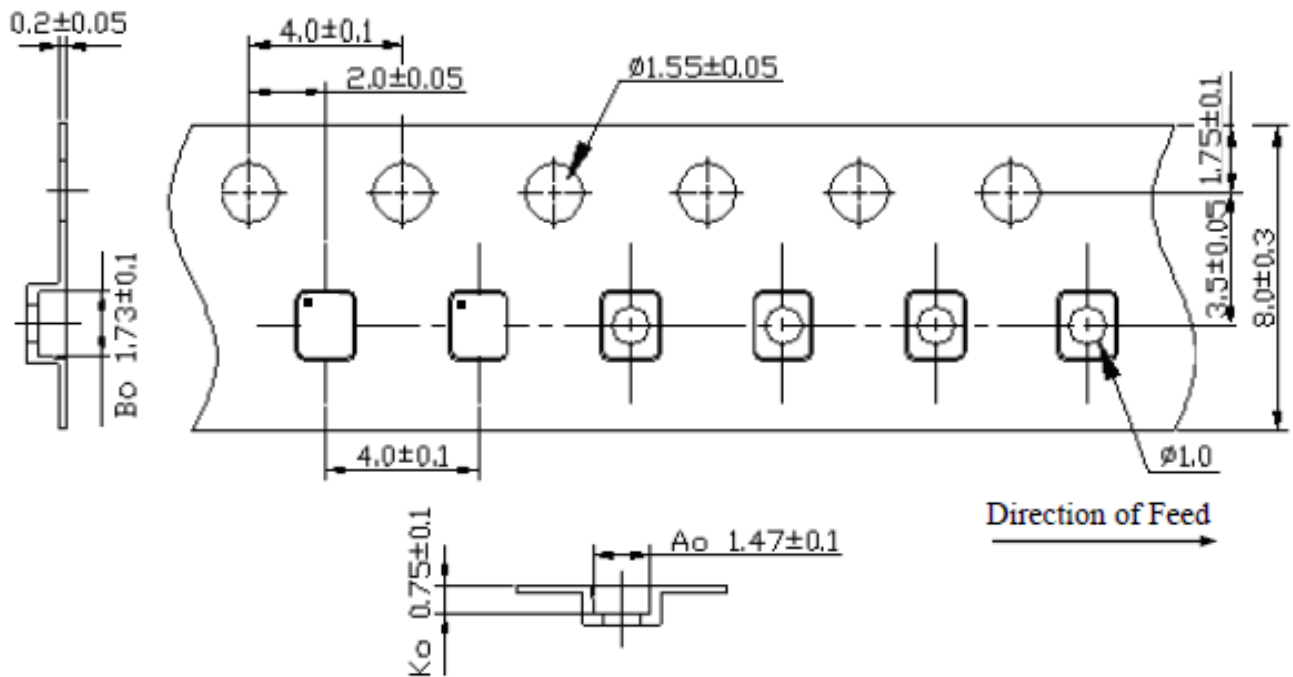
Packing:

Reel Dimension

Reel Count:
7" = 3000



2. Tape Dimension



H. Recommended Solder Profile

1. Preheating shall be fixed at 150~180°C for 60~90 seconds.
2. Ascending time to preheating temperature 150°C shall be 30 seconds min.
3. Heating shall be fixed at 220°C for 50~80 seconds and at 245~260°C peak (min. 10sec).
4. Time : 2 times.

