

BF2001G

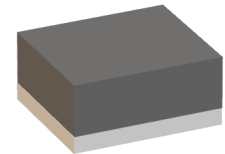
**5250 MHz
BAW Filter**

[Akoustis product A10252 recommended for new designs \(click here\)](#)

- **Complies with Directive 2002/95/EC (RoHS)**
- **Moisture Sensitivity Level: 3**

Absolute Maximum Ratings

Rating	Value	Units
Maximum Input Power	30	dBm
Maximum DC Voltage Between any Two Terminals	0	V
Operating Temperature Range	-40 to +85	°C
Storage Temperature Range in Tape and Reel	-40 to +125	°C
Case Style: SM2520-8 (2.5 x 2.00 nominal footprint)		



SM2520-8

Electrical Characteristics

Terminating source impedance: $Z_s = 50 \Omega$

Terminating load impedance: $Z_L = 50 \Omega$

Parameters Description	Unit	Min.	Type.	Max.	Note
Center Frequency Fc	MHz	-	5250	-	-
Insertion Loss (5170 ~ 5330 MHz) IL	dB	-	1.8	2.5	(*1)(*2)(*3)
Amplitude Ripple (5170 ~ 5330 MHz)	dB	-	0.3	1.5	(*1)(*2)(*3)
Return Loss (5170 ~ 5330 MHz)	dB	10	15	-	(*1)(*2)(*3)
Attenuation (Reference level from 0 dB)					
30 ~ 2700 MHz	dB	28	34	-	-
3300 ~ 3700 MHz	dB	30	36	-	-
5490 ~ 5850 MHz	dB	40	46	-	-
5900 ~ 8500 MHz	dB	35	40	-	-

Note:

- (*1) The specifications are averaged over specified pass band frequency.
- (*2) The specifications include loss that comes from the test board and connector.
- (*3) The specifications are 25°C only.

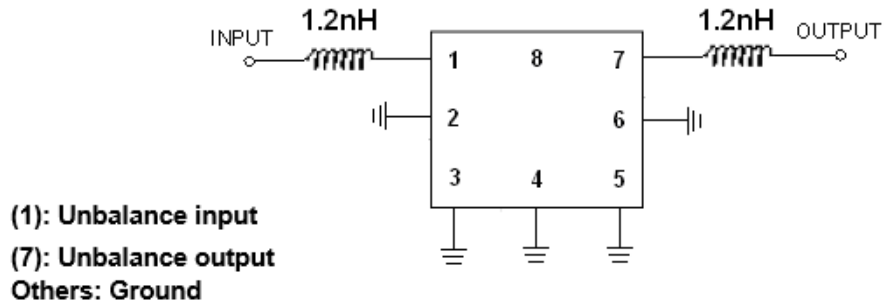


CAUTION: Electrostatic Sensitive Device. Observe precautions for handling.

NOTES:

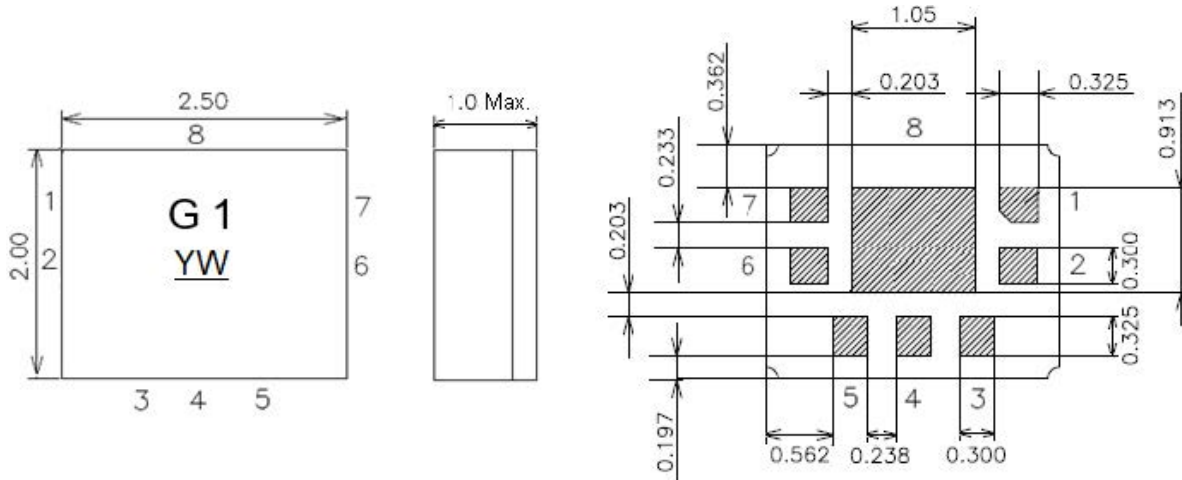
1. The design, manufacturing process, and specifications of this device are subject to change.
2. US or International patents may apply.
3. This component was always RoHS compliant from the first date of manufacture.

Measurement Circuit



Outline Drawing

Y = Year
 W = Week

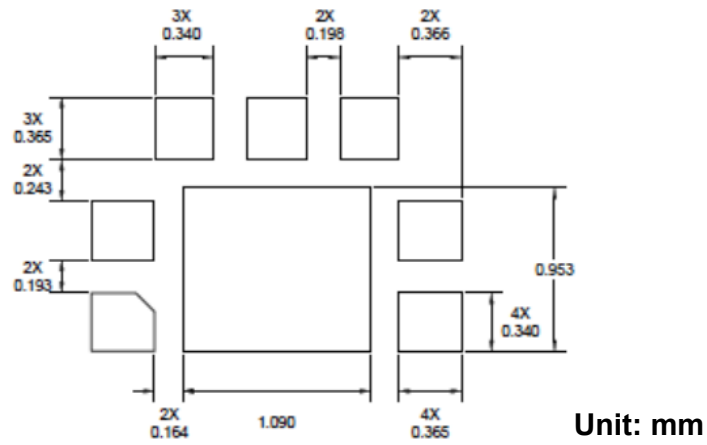


All tolerances are ± 0.1 mm unless otherwise specified.

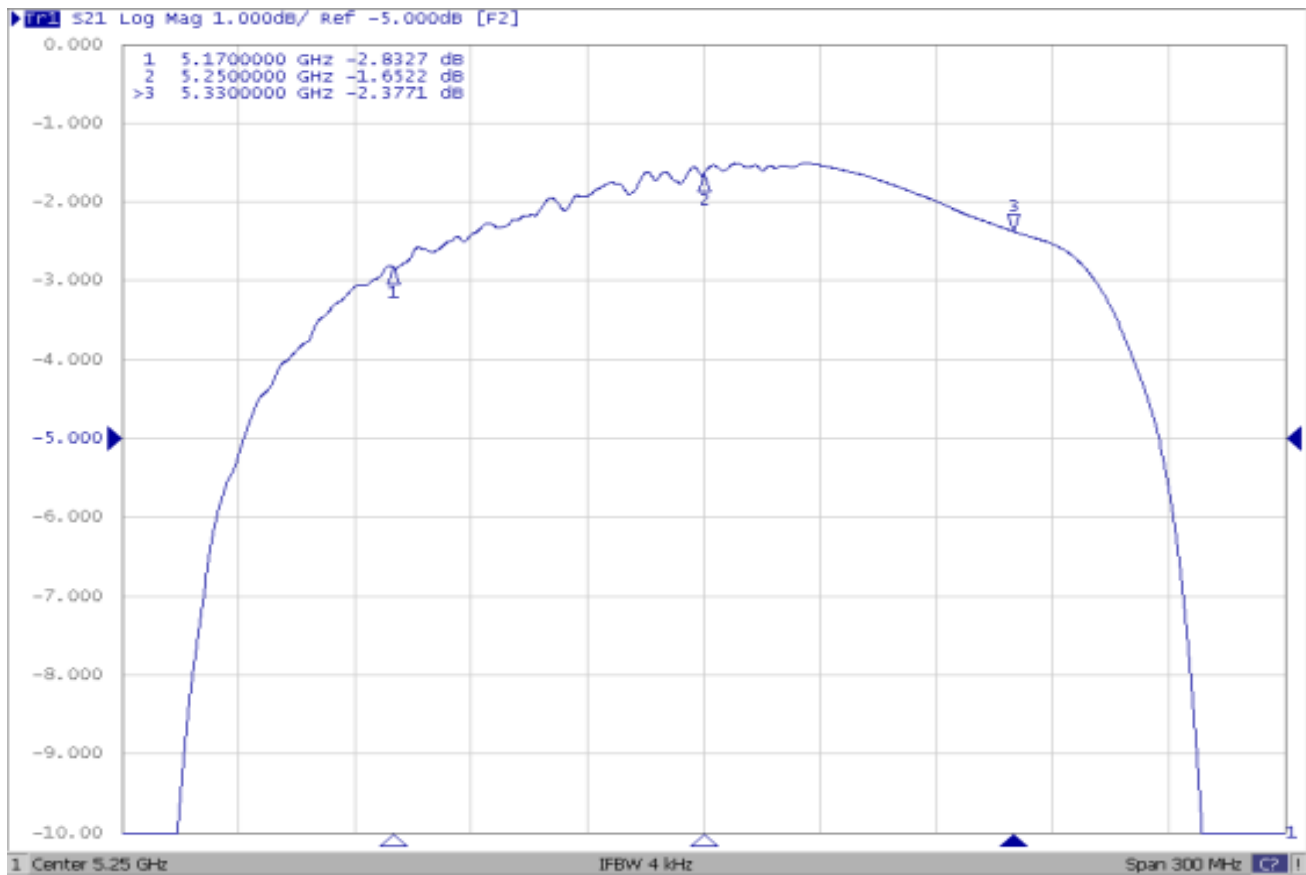
Unit: mm

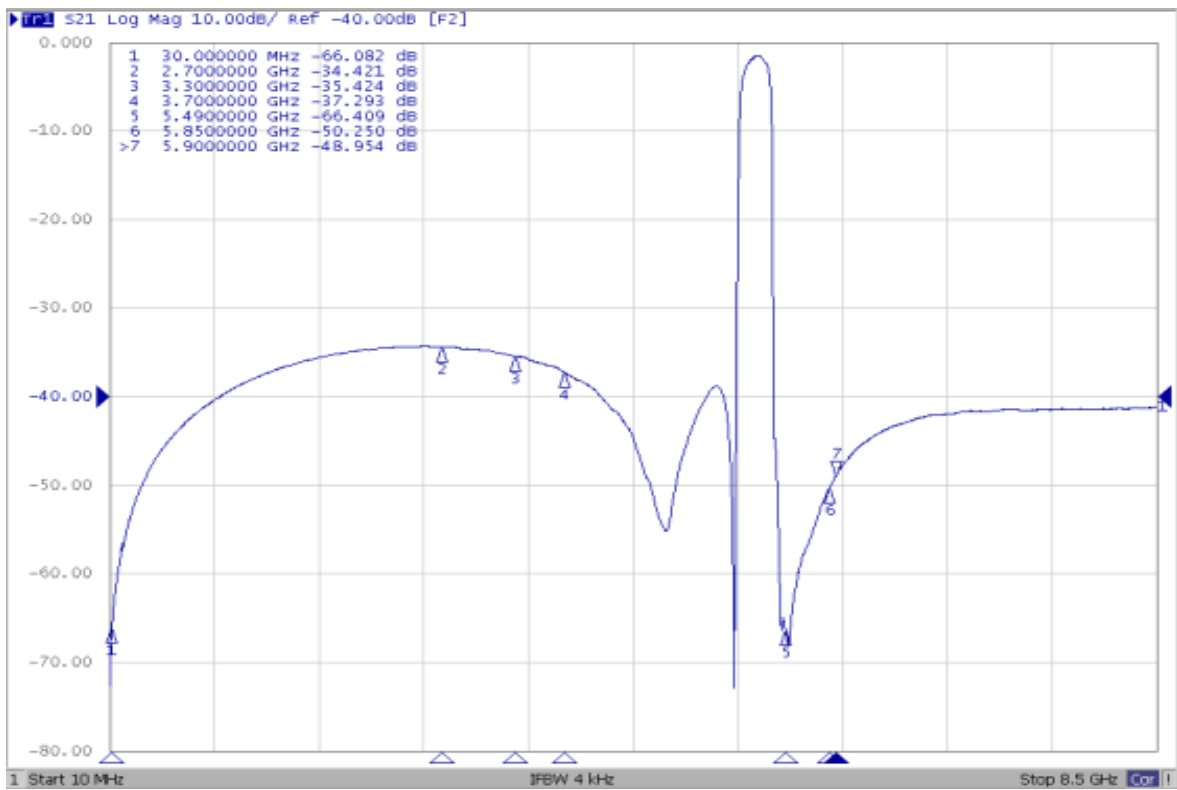
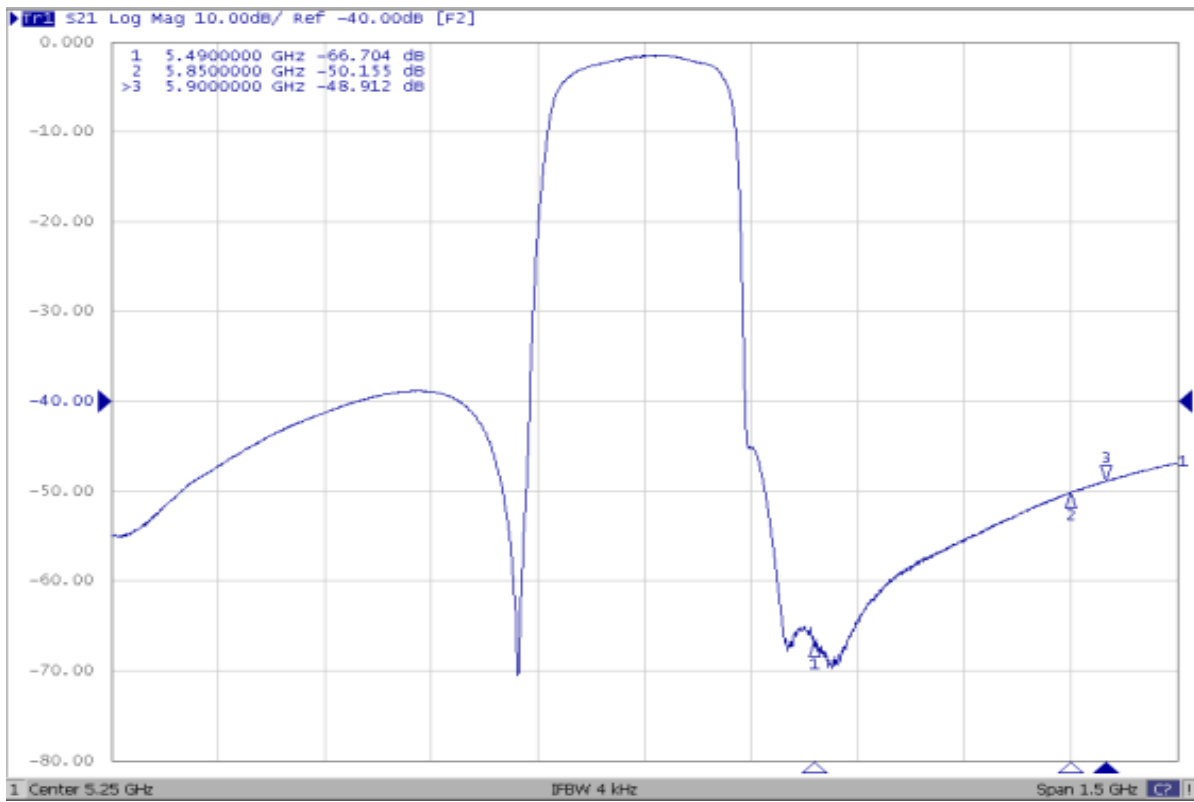
Pin No.	Symbol	Func
1	IN	Input
2	ND	Ground
3	ND	Ground
4	ND	Ground
5	ND	Ground
6	ND	Ground
7	OUT	Output
8	ND	Ground

PCB Footprint

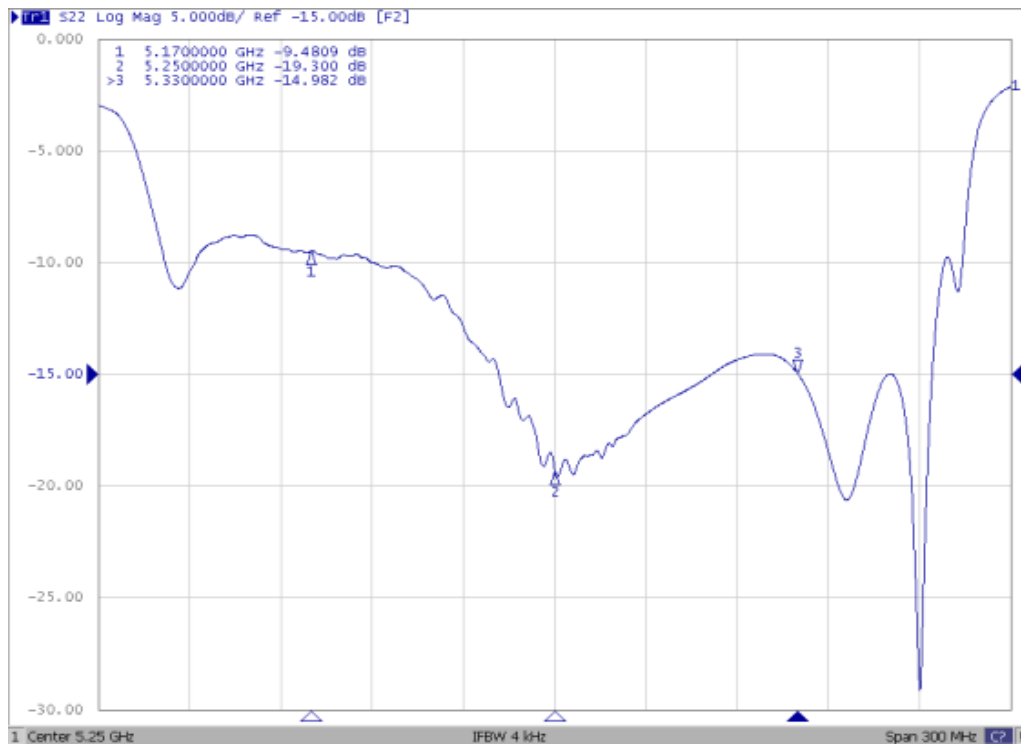
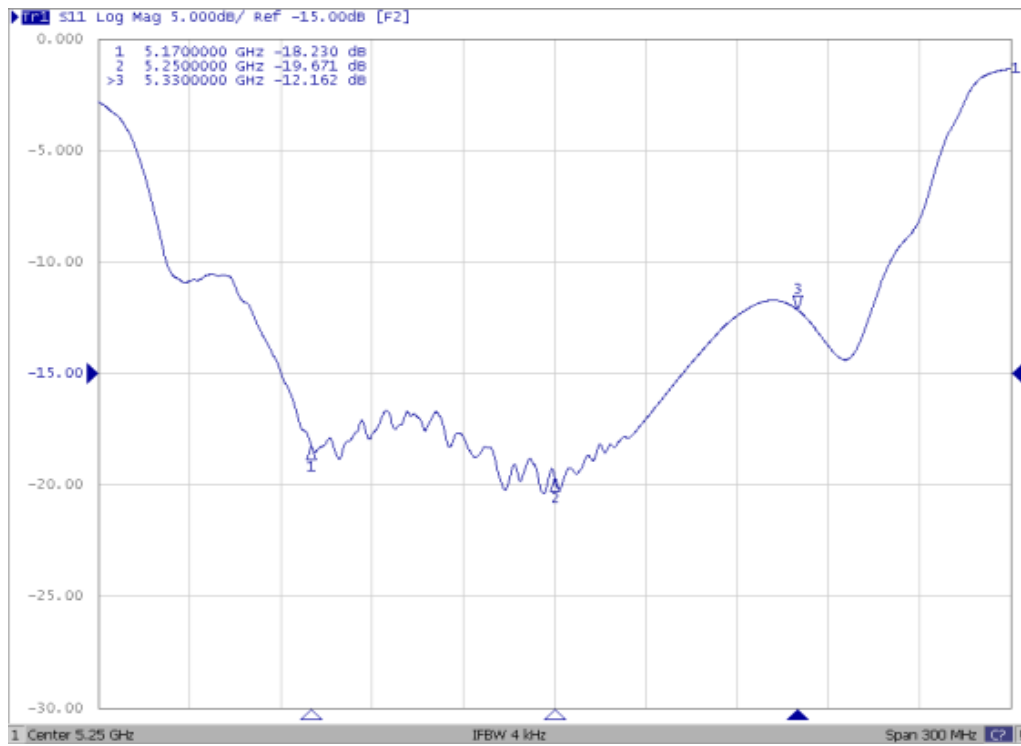


Frequency Characteristics





Reflection Functions

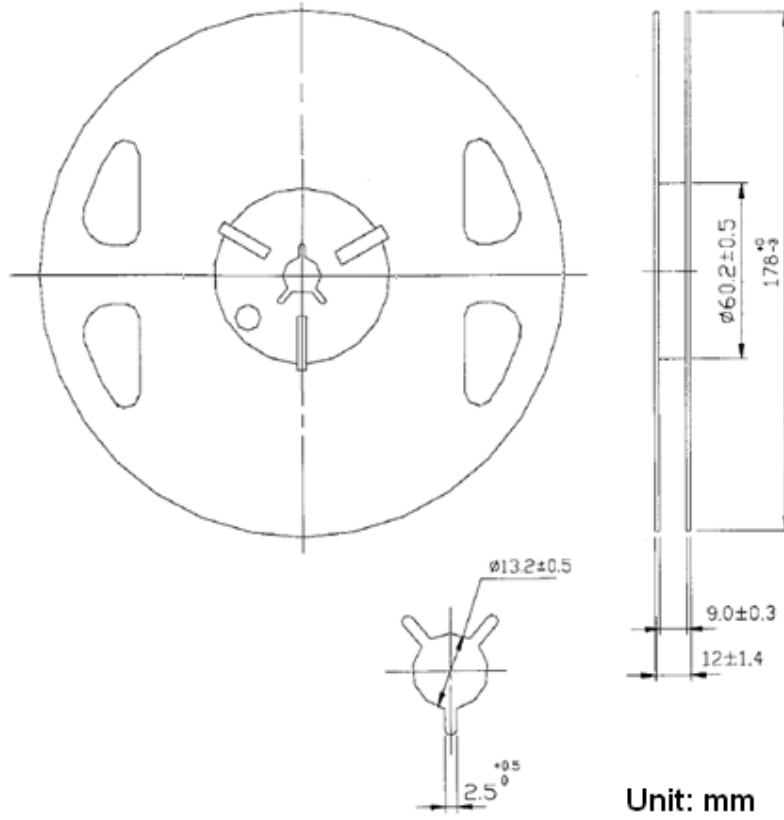


Packing:

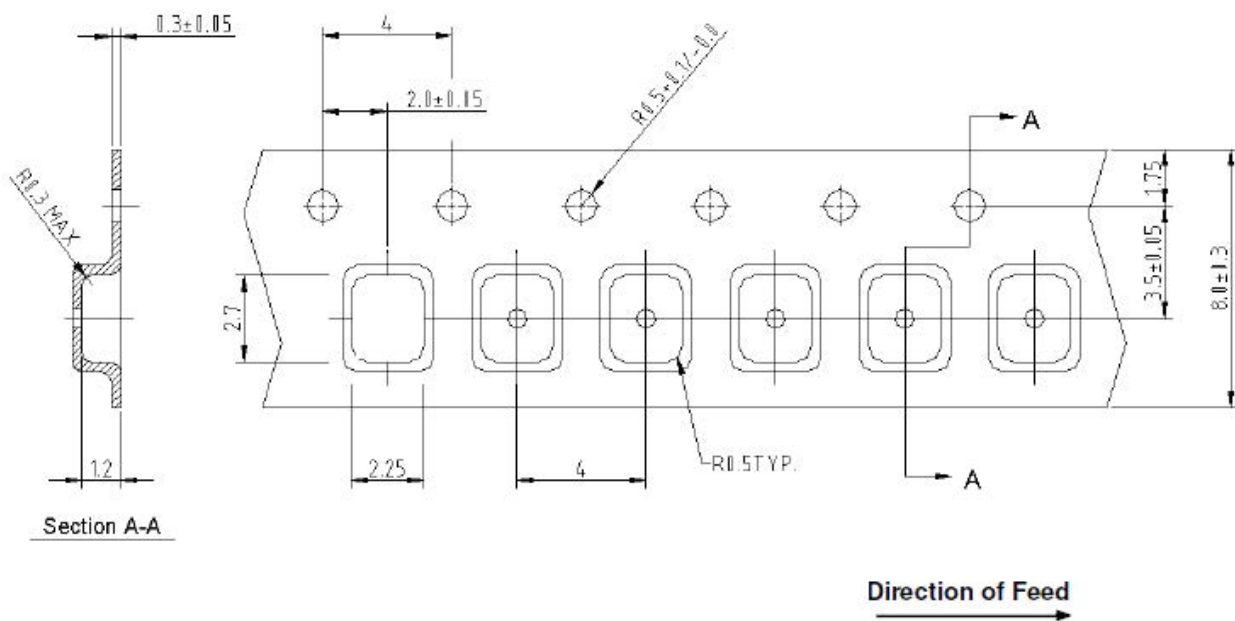
Reel Dimension

Reel Count:
7" = 2000
13" = 10,000

Tape and Reel Standard per ANSI/EIA-481



Tape Dimension



Recommended Reflow Profile

Parameter	Eutectic Sn/Pb	Pb Free
Max Ramp Up Rate	6 Deg C/Second	6 Deg C/Second
Soak Temp Time $T_S(\text{min}) - T_S(\text{max})$	135 - 155 Deg C	150-200 Deg C
Max Soak Time T_S	2 minutes	3 minutes
Liquidous Temp T_L	183 Deg C	220 Deg C
Max Time Above T_L	150 Seconds	150 Seconds
Max Peak Temperature T_P	225 Deg C	260 Deg C
Max Time at Peak T_P	30 Seconds	30 Seconds
Max Ramp Down Rate	10 Deg C/Second	10 Deg C/Second

