

CF1001

**5550 MHz
LTCC Filter**



- Complies with Directive 2002/95/EC (RoHS)
- AEC-Q200 Qualified

Absolute Maximum Ratings

Rating	Value
Input Power	0.5 W
Operating Temperature Range	-40° to +150°C
Storage Temperature Range	-40°C to +150°C
Input/Output Impedance	50 Ω
Moisture Sensitivity Level: 1	

Electrical Characteristics

No.	Item	Specifications
1.	Frequency Range	5150 ~ 5950 MHz
2.	Insertion Loss	≤1.2dB @ 25 degree C
3.	Return Loss (in BW)	≥9.5dB
4.	Attenuation	≥40dB (30 ~ 2700 MHz)
		≥35dB (3400 ~ 3800 MHz)
		≥20dB (@6900 MHz)
		≥18dB (7250 ~ 7800 MHz)
		≥20dB (10300 ~ 11700 MHz)
5.	Operation Temperature Range	-40 °C ~ +105 °C
6.	Permissible Input Power (MAX)	0.5W
7.	In/Output Impedance	50 Ω

Case Style	SM1608-3, 1.6 x 0.8 mm
------------	------------------------

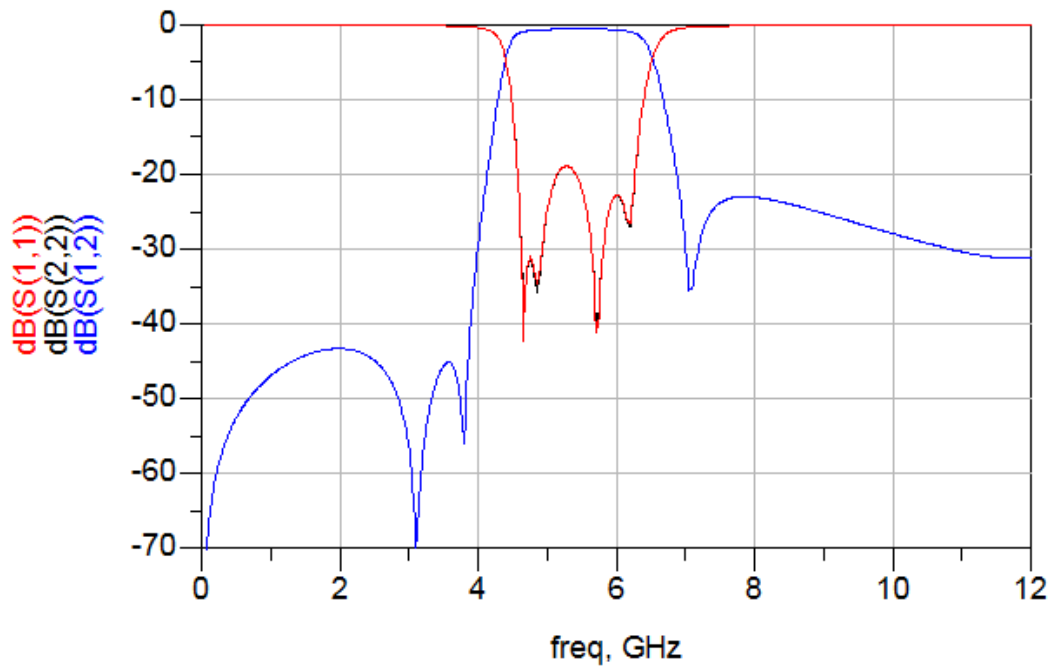


CAUTION: Electrostatic Sensitive Device. Observe precautions for handling.

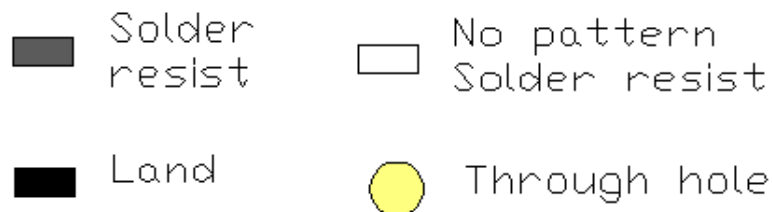
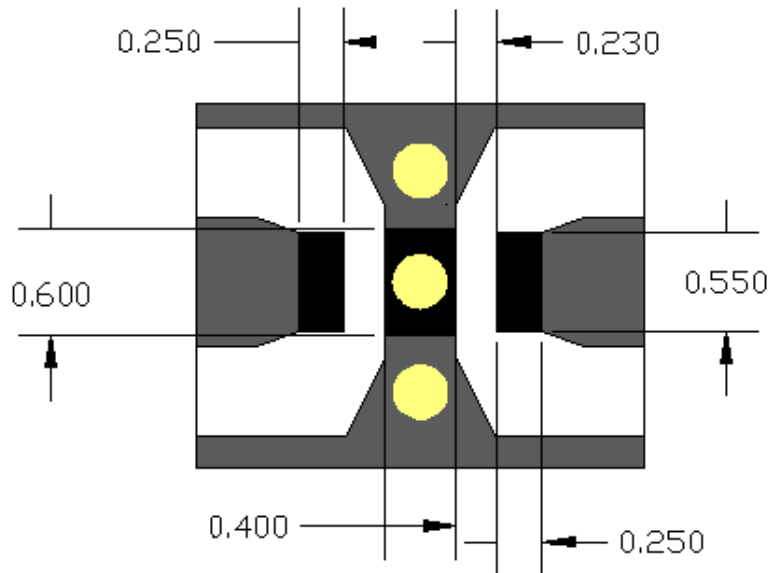
NOTES:

1. The design, manufacturing process, and specifications of this device are subject to change.
2. US or International patents may apply.
3. This component was always RoHS compliant from the first date of manufacture.

Frequency Characteristics

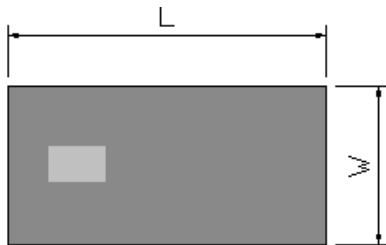
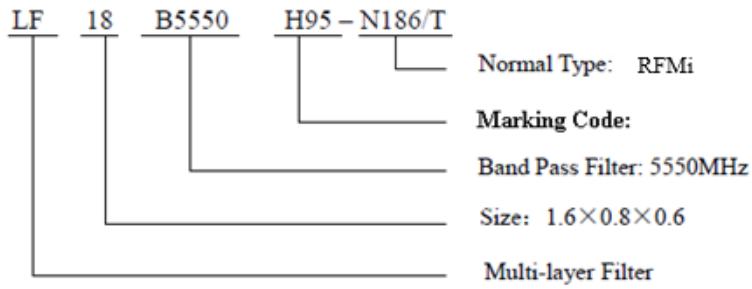


Recommended Footprint (PCB Layout)

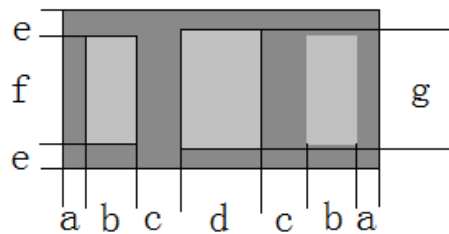


Package Dimensions

E. Package Dimensions:



Top View

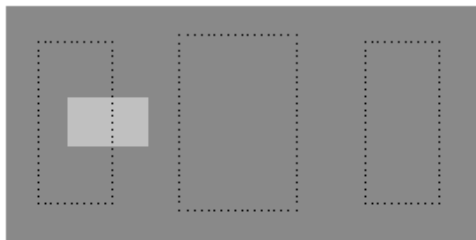


Bottom View



Side View

Mark	L	W	T	a	b	c	d	e	f	g
Dimensions	1.6±0.2	0.8±0.2	0.6±0.1	0.12±0.1	0.25±0.1	0.23±0.1	0.4±0.1	0.125±0.1	0.55±0.1	0.6±0.1

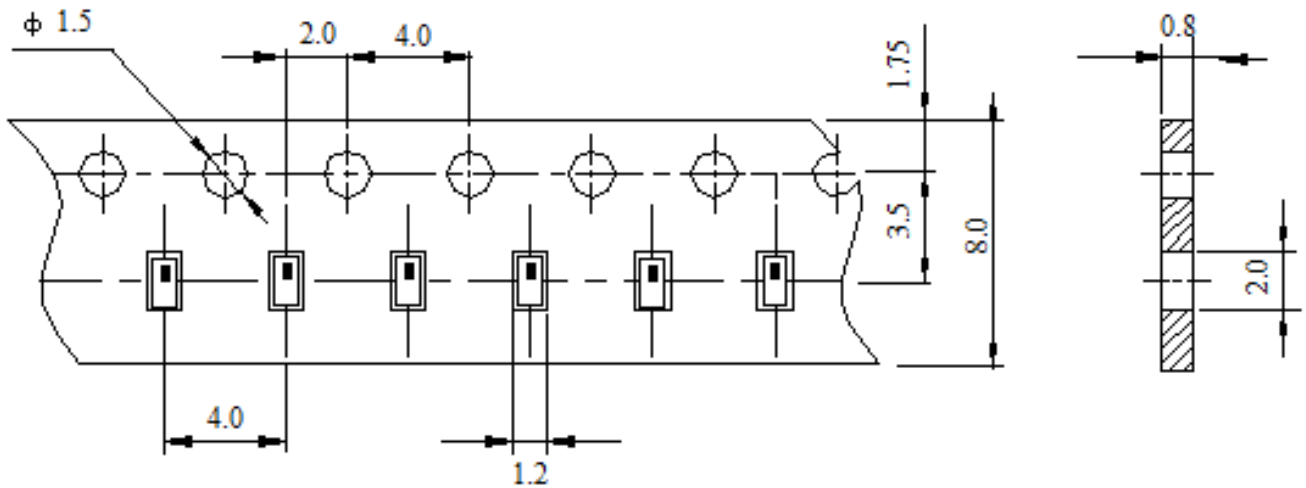
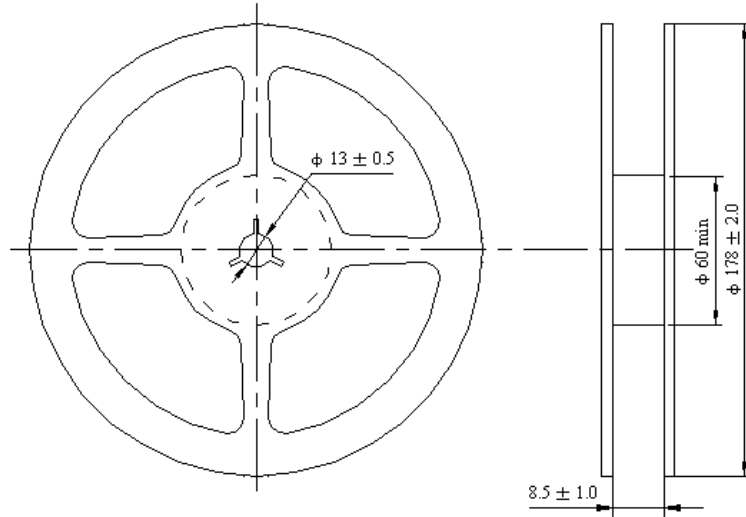


Number	Terminal Name
①	IN
②	GND
③	OUT

Tape and Reel Specifications

Tape and Reel Standard per ANSI/EIA-481

Reel Dimensions – 7" = 6000



Recommended Reflow Profile

1. Preheating shall be fixed at 150~180°C for 60~90 seconds.
2. Ascending time to preheating temperature 150°C shall be 30 seconds min.
3. Heating shall be fixed at 220°C for 50~80 seconds and at 260°C +0/-5°C peak (10 seconds).
4. Time: 5 times maximum.

