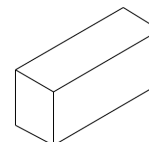


**CF1008  
LTCC Filter**

**3750 MHz  
Used for 5G N77, N78**



2.0 x 1.25 mm

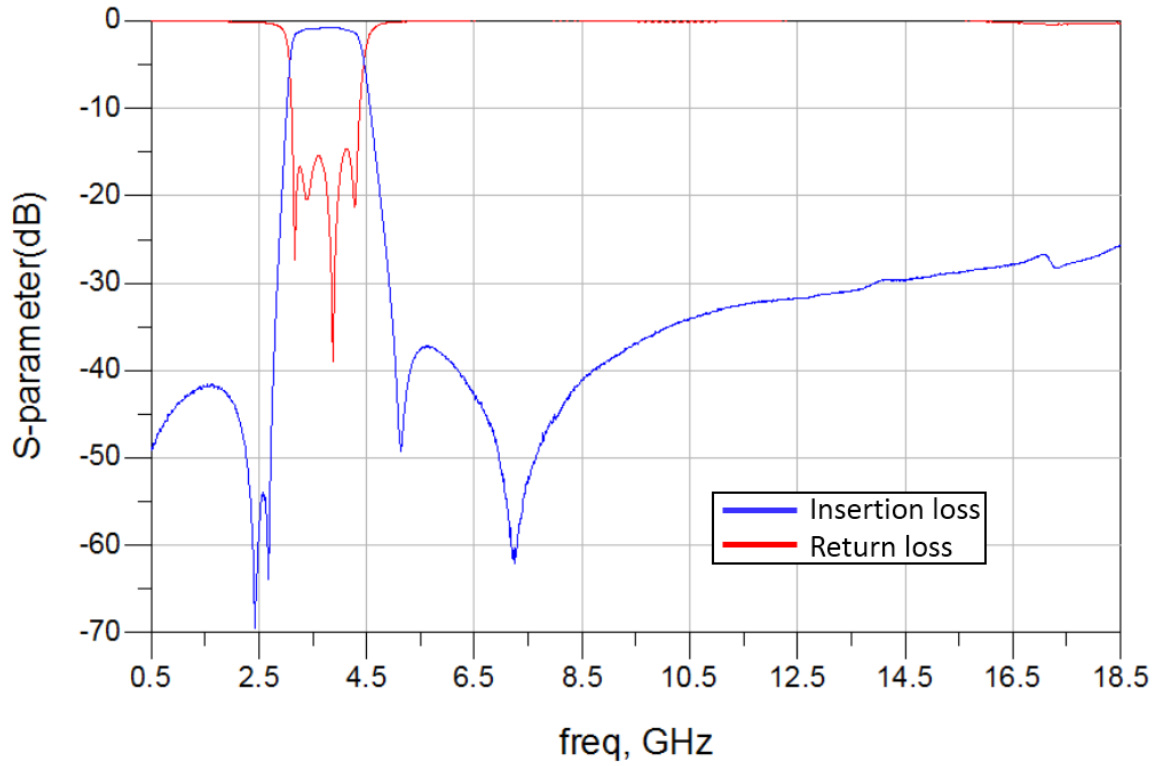
### Absolute Maximum Ratings

Rating	Value	Units
Operating Temperature	-40 to +85	°C
Storage Temperature	-40 to +85	°C
Impedance (Unbalanced)	50	Ohm

### Electrical Characteristics

Item	Specifications
Frequency range	3300 ~ 4200 MHz
Insertion Loss (at 25°C)	2.00 dB max. @3300 ~ 4200 MHz 2.00 dB max. @3300 ~ 3800 MHz 1.50 dB max. @3400 ~ 3800 MHz
Insertion Loss (at -40 ~ +85°C)	2.25 dB max. @3300 ~ 3500 MHz 2.25 dB max. @3500 ~ 4200 MHz 2.25 dB max. @3300 ~ 3800 MHz 2.25 dB max. @3400 ~ 3800 MHz
Attenuation	36 dB Min. @ 450 ~ 2200 MHz 38 dB Min. @ 2300 ~ 2483 MHz 33 dB Min. @ 2496 ~ 2690 MHz 25 dB Min. @ 5150 ~ 5850 MHz 25 dB Min. @ 6600 ~ 8400 MHz 15 dB Min. @ 9900 ~ 12600 MHz 15 dB Min. @ 13200 ~ 16800 MHz
VSWR	2.1 Max.
Characteristics Impedance	50Ω
Power Capacity	2W max.
Moisture sensitivity levels	MSL is LEVEL 1 (Refer to : IPC/JEDEC J-STD-020)
<b>Operating &amp; Storage Condition (Component)</b> Operation Temperature Range: -40 ~ +85 °C. Storage Temperature Range: -40 ~ +85°C.	
<b>Storage Condition before Soldering (Included packaging material)</b> Storage Temperature Range: +5 ~ +40 °C. Humidity: 30 to 70% relative humidity	

## Frequency Characteristics

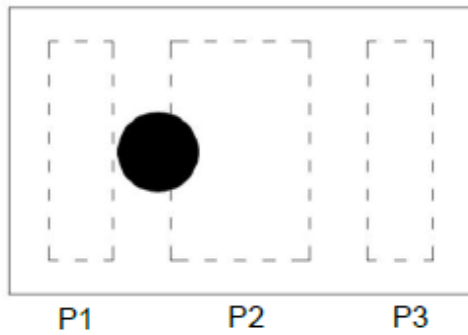


## Outline Drawing

Figure	Symbol	Dimension (mm)
<p>Top view</p> <p>Bottom view</p> <p>Side view</p>	L	2.00 ± 0.15
	W	1.25 ± 0.10
	T	0.70 max.
	A	0.95 ± 0.10
	B	0.275 ± 0.10
	C	0.25 ± 0.05
	D	0.60 ± 0.10
	E	0.175 ± 0.10
	F	0.15 ± 0.10

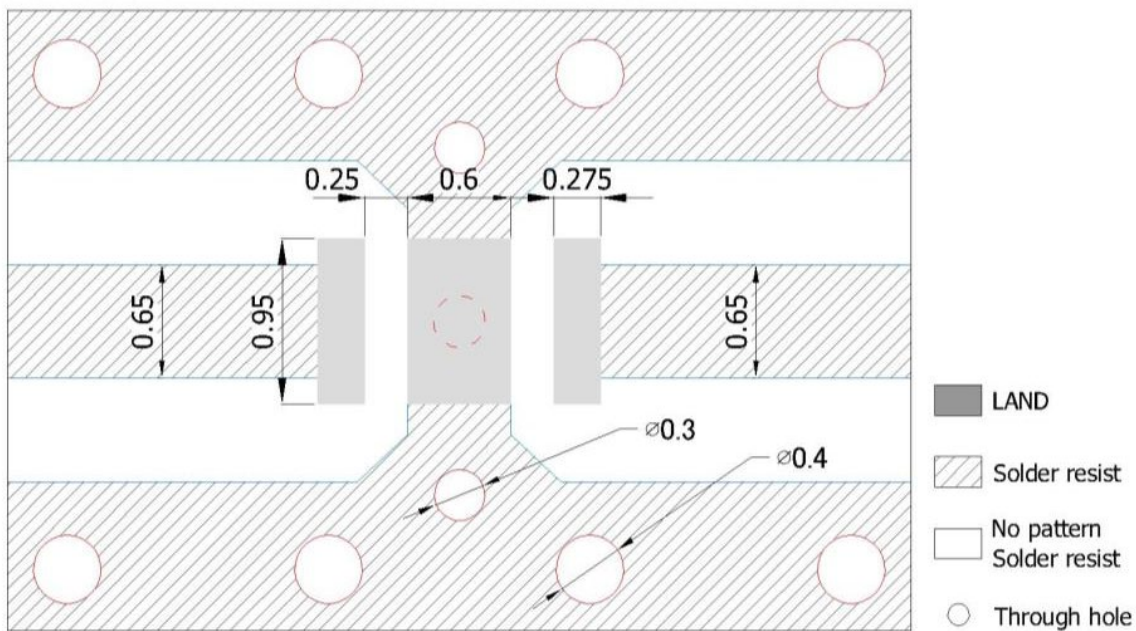
## Construction

### Top view



PIN	Connection
1	Input
2	GND
3	Output

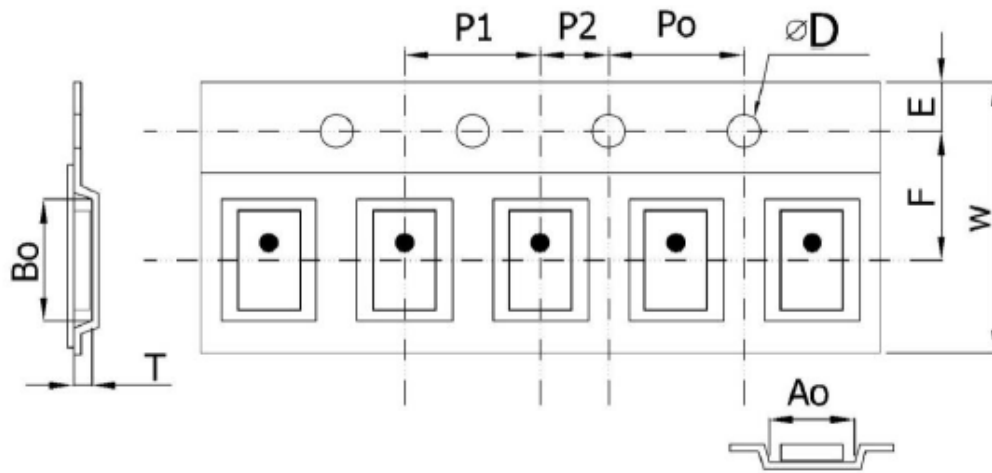
### PCB Footprint



Unit: mm

Line width to be designed to match 50 $\Omega$  characteristic impedance, depending on PCB material and thickness.

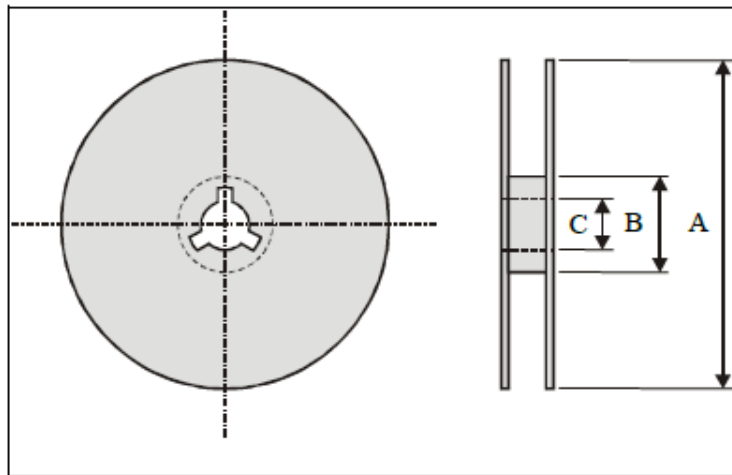
## Packing



**Plastic Tape specifications (unit :mm)**

Index	$A_0$	$B_0$	$\phi D$	$T$	$W$
Dimension (mm)	$1.40 \pm 0.10$	$2.25 \pm 0.10$	$1.55 \pm 0.05$	$0.75 \pm 0.10$	$8.00 \pm 0.10$
Index	$E$	$F$	$P_0$	$P_1$	$P_2$
Dimension (mm)	$1.75 \pm 0.10$	$3.50 \pm 0.05$	$4.00 \pm 0.10$	$4.00 \pm 0.10$	$2.00 \pm 0.05$

## Reel dimensions



Index	A	B	C
Dimension (mm)	Φ 178.0	Φ 60.0	Φ 13.0

Taping Quantity: 2000 pieces per 7" reel

## Recommended Reflow Profile:

1. Preheating shall be fixed at 150~180°C for 60~90 seconds.
2. Ascending time to preheating temperature 150°C shall be 30 seconds min.
3. Heating shall be fixed at 220°C for 50~80 seconds and at 260°C+0/-5°C peak (20~40sec).
4. Time: 2 times.

