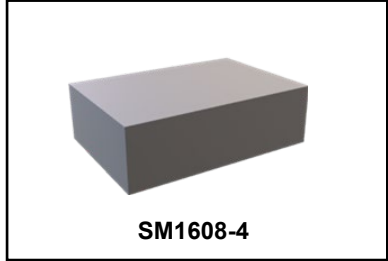


**CF1011**

**2450 MHz  
Ceramic  
Filter**



**MAXIMUM RATING:**

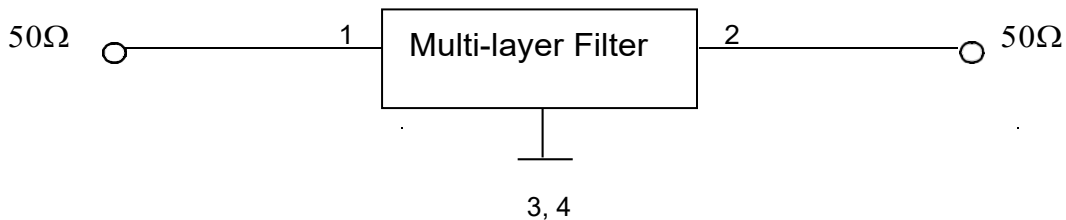
- Input Power Level: 2W
- DC Voltage : 0 V
- Operating Temperature: -40°C to +120°C
- Storage Temperature: -40°C to +120°C
- Moisture Sensitive Level: 1

**ELECTRICAL CHARACTERISTICS:**

Item	Unit	Min.	Typ.	Max.
<b>Center Frequency</b> Fc	MHz	-	2450	-
<b>Insertion loss</b> (2400~2500 MHz) (25°C) IL	dB	-	1.7	2.0
<b>Insertion loss</b> (2400~2500 MHz) IL	dB		1.7	2.5
<b>Amplitude Ripple</b> (2400~2500 MHz)	dB	-	0.2	1.0
<b>VSWR</b> (2400~2500 MHz)	-	-	1.3	1.9
<b>Attenuation</b> (Reference level from 0 dB)				
880 ~ 900 MHz	dB	27	40	-
4800 ~ 5000 MHz	dB	34	45	-
7200 ~ 7500 MHz	dB	34	40	-

**MEASUREMENT CIRCUIT:**

HP Network analyzer

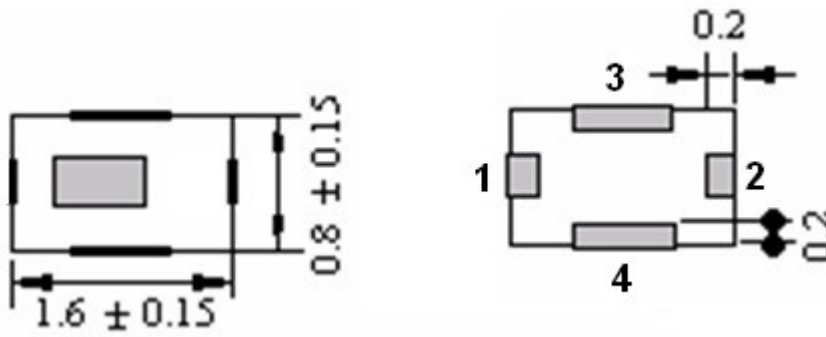


**CAUTION: Electrostatic Sensitive Device. Observe precautions for handling.**

**NOTES:**

1. The design, manufacturing process, and specifications of this device are subject to change.
2. US or International patents may apply.
3. This component was always RoHS compliant from the first date of manufacture.

**OUTLINE DRAWING:**



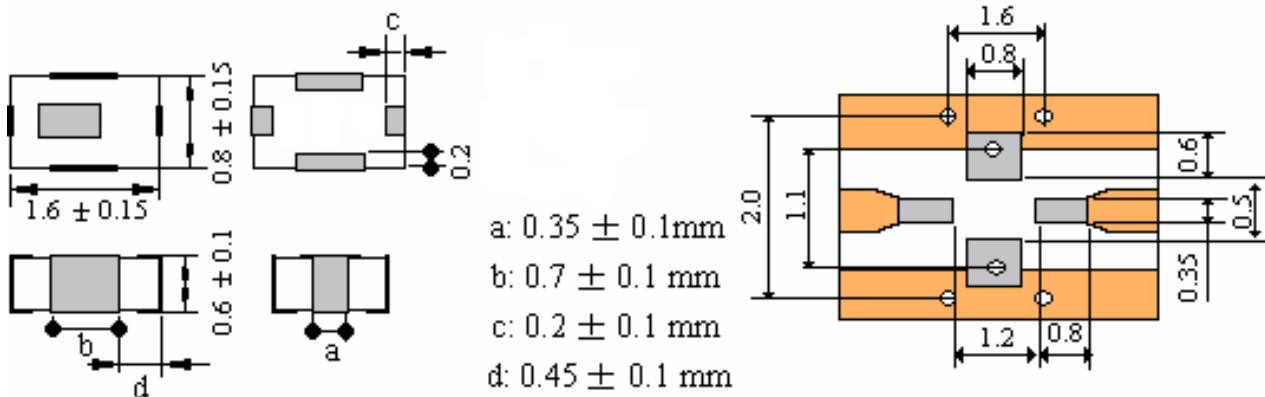
- 1: Input
- 2: Output
- 3, 4: Ground
- Unit: mm

Marking name: B

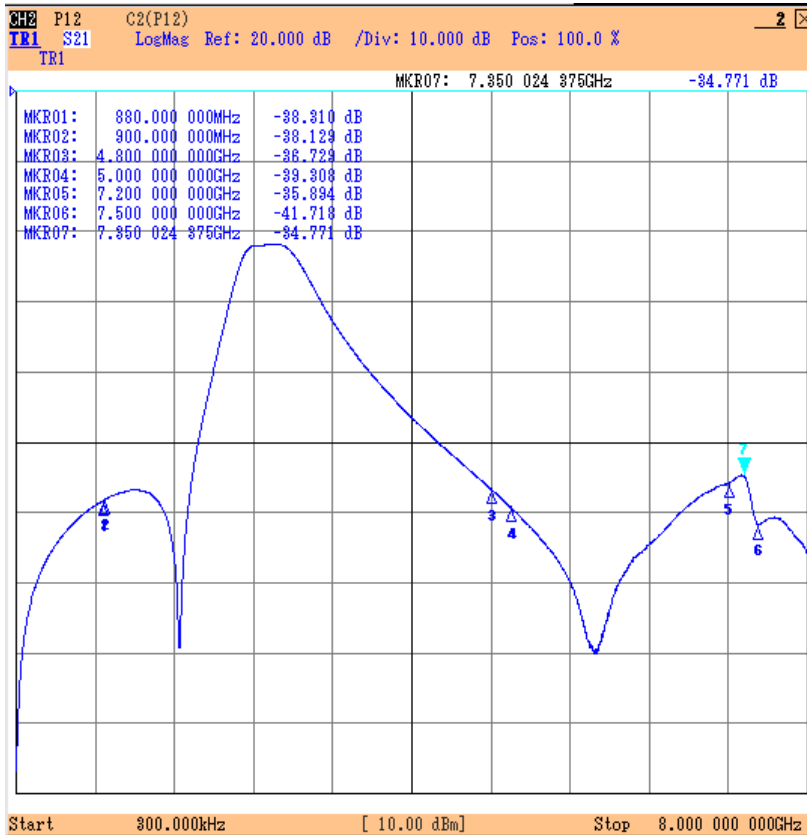
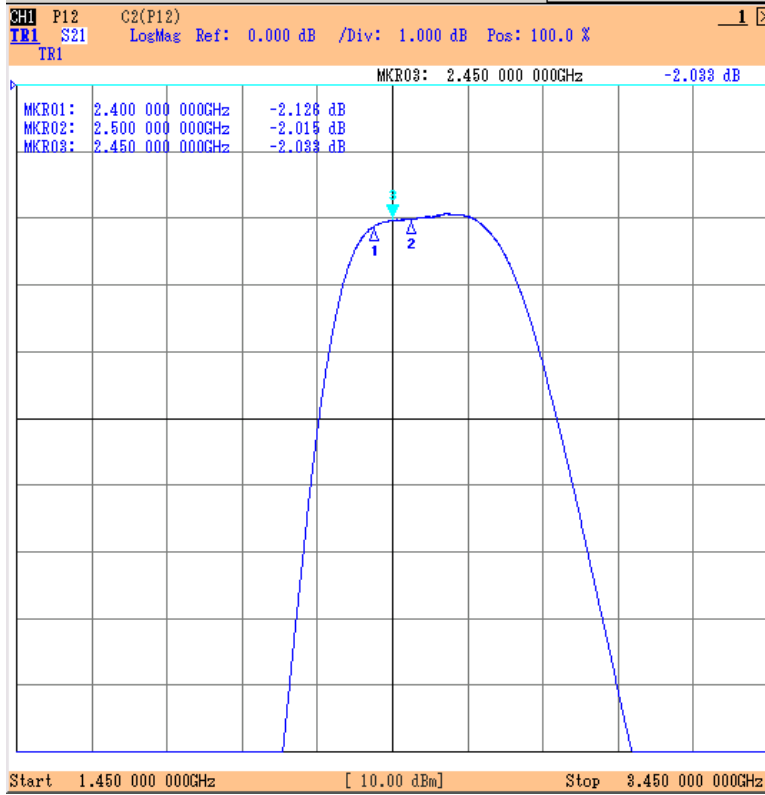
□ : Year/Month Code (Follow the table)

YEAR/Month	1	2	3	4	5	6	7	8	9	10	11	12
2013	A	B	C	D	E	F	G	H	J	K	L	M
2014	N	P	Q	R	S	T	U	V	W	X	Y	Z
2015	a	b	c	d	e	f	g	h	j	k	l	m
2016	n	p	q	r	s	t	u	v	w	x	y	z
2017	<u>A</u>	<u>B</u>	<u>C</u>	<u>D</u>	<u>E</u>	<u>F</u>	<u>G</u>	<u>H</u>	<u>J</u>	<u>K</u>	<u>L</u>	<u>M</u>
2018	<u>N</u>	<u>P</u>	<u>Q</u>	<u>R</u>	<u>S</u>	<u>I</u>	<u>U</u>	<u>V</u>	<u>W</u>	<u>X</u>	<u>Y</u>	<u>Z</u>
2019	<u>a</u>	<u>b</u>	<u>c</u>	<u>d</u>	<u>e</u>	<u>f</u>	<u>g</u>	<u>h</u>	<u>j</u>	<u>k</u>	<u>l</u>	<u>m</u>
2020	<u>n</u>	<u>p</u>	<u>q</u>	<u>r</u>	<u>s</u>	<u>t</u>	<u>u</u>	<u>v</u>	<u>w</u>	<u>x</u>	<u>y</u>	<u>z</u>

**PCB Footprint:**



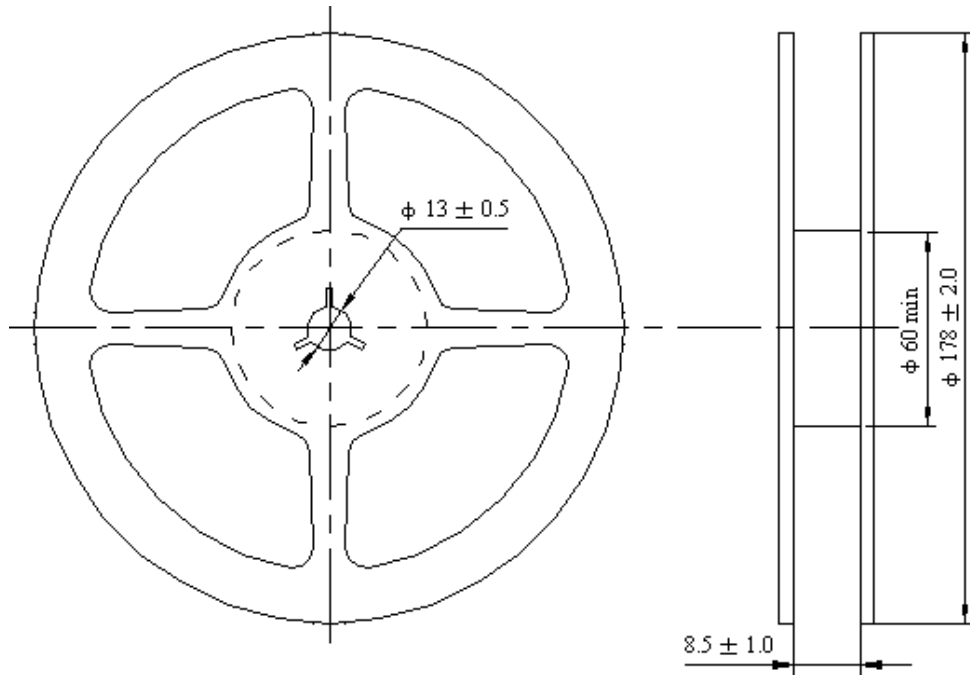
# Frequency Characteristics: (\*The performance including PCB loss.)



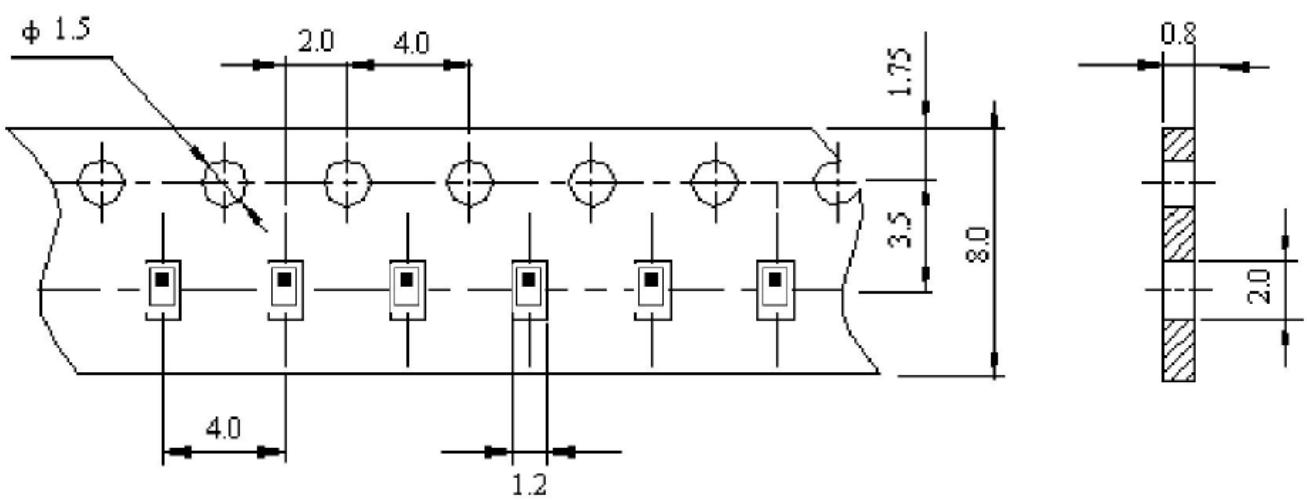
**PACKING:**  
REEL DIMENSION

Reel Dimensions – 7" = 6000

Tape and Reel Standard per ANSI/EIA-481



TAPE DIMENSION



**Recommended Reflow Profile:**

1. Preheating shall be fixed at 150~180°C for 60~90 seconds.
2. Ascending time to preheating temperature 150°C shall be 30 seconds min.
3. Heating shall be fixed at 220°C for 50~80 seconds and at 260°C+0/-5°C peak (20~40sec).
4. Time: 2 times.

