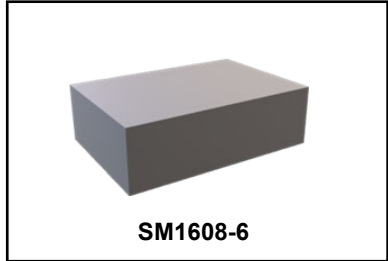


**CF1012**

**829.5 MHz  
Ceramic Filter**



• **MAXIMUM RATING:**

- Input Power Level: 25 dBm
- DC Voltage : 5V
- Operating Temperature: -40°C to +120°C
- Storage Temperature: -40°C to +85°C
- Moisture Sensitivity Level: Level(**MSL1**)
- AEC-Q200 Qualified

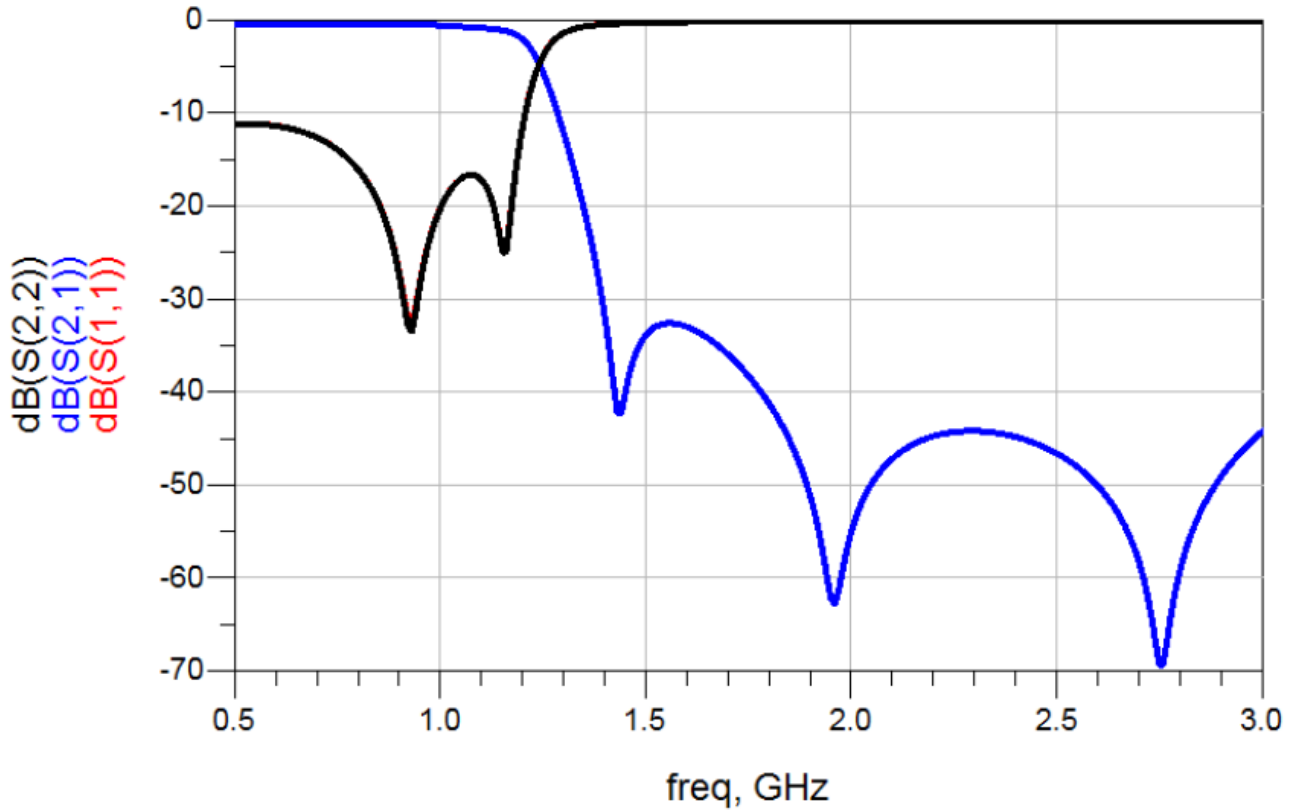
**ELECTRICAL CHARACTERISTICS:**

Item	Specifications
<b>Insertion Loss 25degree C</b>	Frequency Range
	0.6 dB max 699~787MHz 0.7 dB max 787~960MHz
<b>Return Loss</b>	10 dB min
<b>Attenuation</b>	30 dB min 1427 ~ 1920 MHz
	30 dB min 2097 ~ 2880 MHz
<b>In/Output Impedance</b>	50 Ω

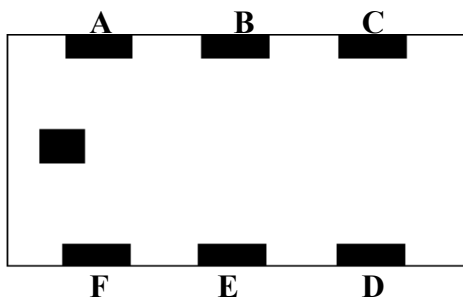


1. The design, manufacturing process, and specifications of this device are subject to change.
2. US or International patents may apply.
3. This component was always RoHS compliant from the first date of manufacture.

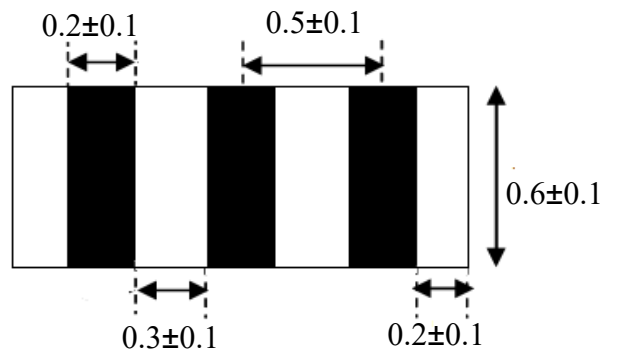
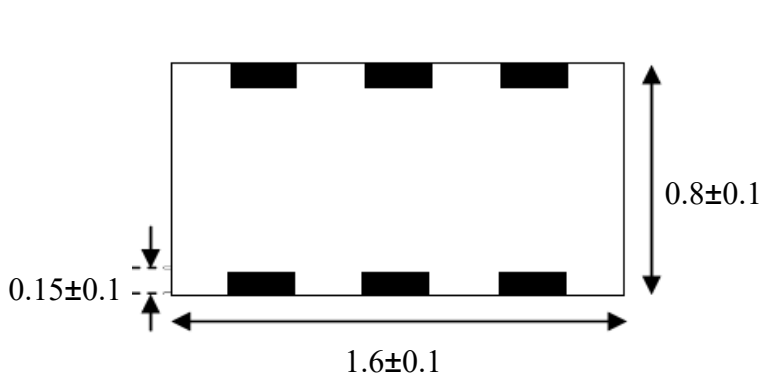
**Frequency Characteristics : (Simulation)**



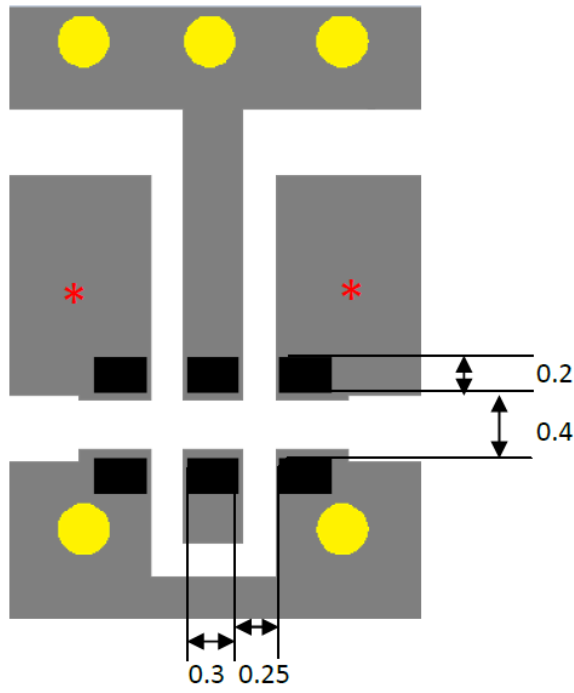
**Pin Assignment :**

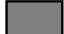
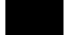



- A : Input
- C : Output
- B,D,F : Ground
- E : NC



### PCB Footprint

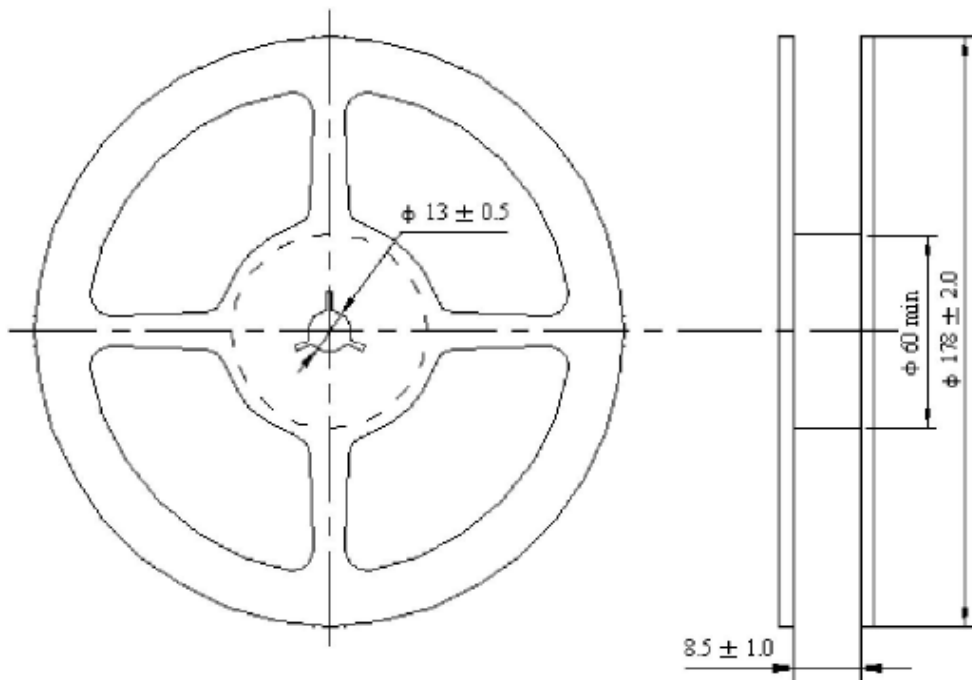


-  Solder Resist
-  Land
-  Through-hole (  $\Phi 0.30$  )

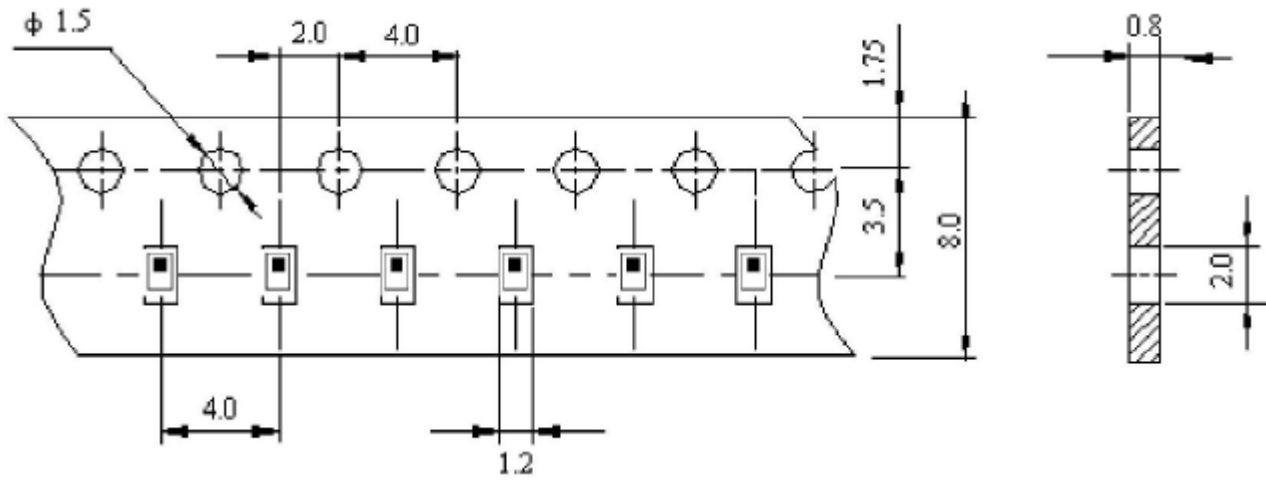
Unit: mm

### Packing:

#### 1.Reel(6000pcs/reel)



## 2. Plastic Tape



## Recommended Reflow Profile

1. Preheating shall be fixed at 150~180°C for 60~90 seconds.
2. Ascending time to preheating temperature 150°C shall be 30 seconds min.
3. Heating shall be fixed at 220°C for 50~80 seconds and at 260°C +0/-5°C peak (10 seconds).
4. Time: 5 times maximum.

