



RFM Integrated Device, Inc.

PRODUCT SPECIFICATION

Part Number: CF1019-A

Description:
FILTER,LTCC,Fc 5788 MHz,
BW 125 MHz, IL 2.4 dB

A. MAXIMUM RATING:

- 1. Input Power : 1W
- 2. Operating temperature range: -40°C to +125°C
- 3. Storage temperature range: -40 °C to +125 °C
- 4. Moisture Sensitivity Level: Level 1(MSL1)
- 5. AEC-Q200 Qualified

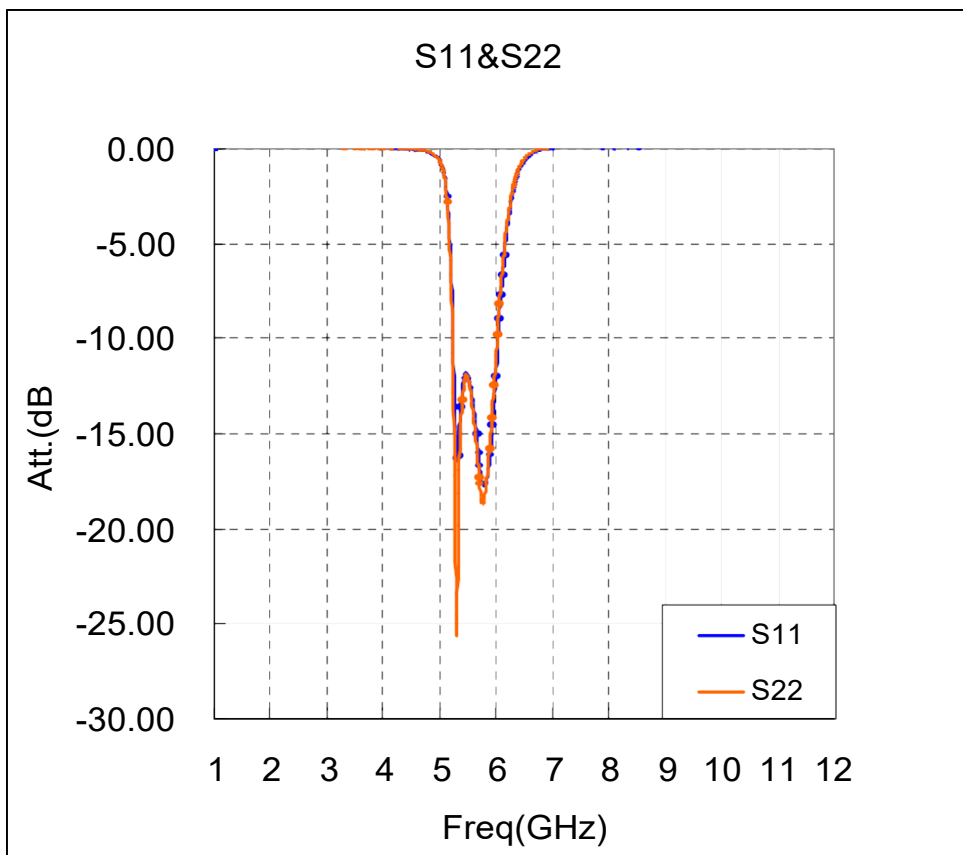
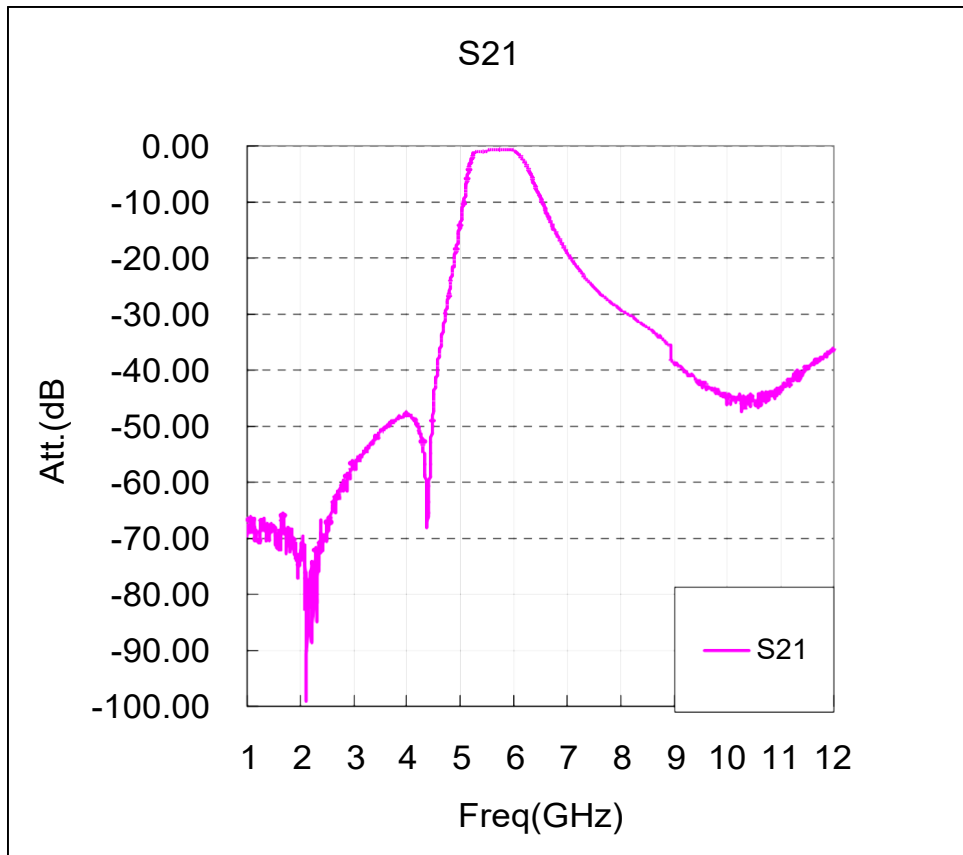


B. ELECTRICAL CHARACTERISTICS:

Item	Unit	Spec.
Central Frequency Fc	MHz	5788
Band Width	MHz	125
Insertion loss (5725 ~ 5850 MHz) @25°C IL	dB	1.6 Max
Insertion loss (5725 ~ 5850 MHz) @40°C-125°C IL	dB	2.4 Max
Return Loss (5725 ~ 5850 MHz)	dB	10 Min
Attenuation (Reference level from 0 dB)		
1908 ~ 1950 MHz	dB	50 Min
3816 ~ 3900 MHz	dB	47 Min
11450 ~ 11700 MHz	dB	25 Min
In/Out put Impedance	Ω	50

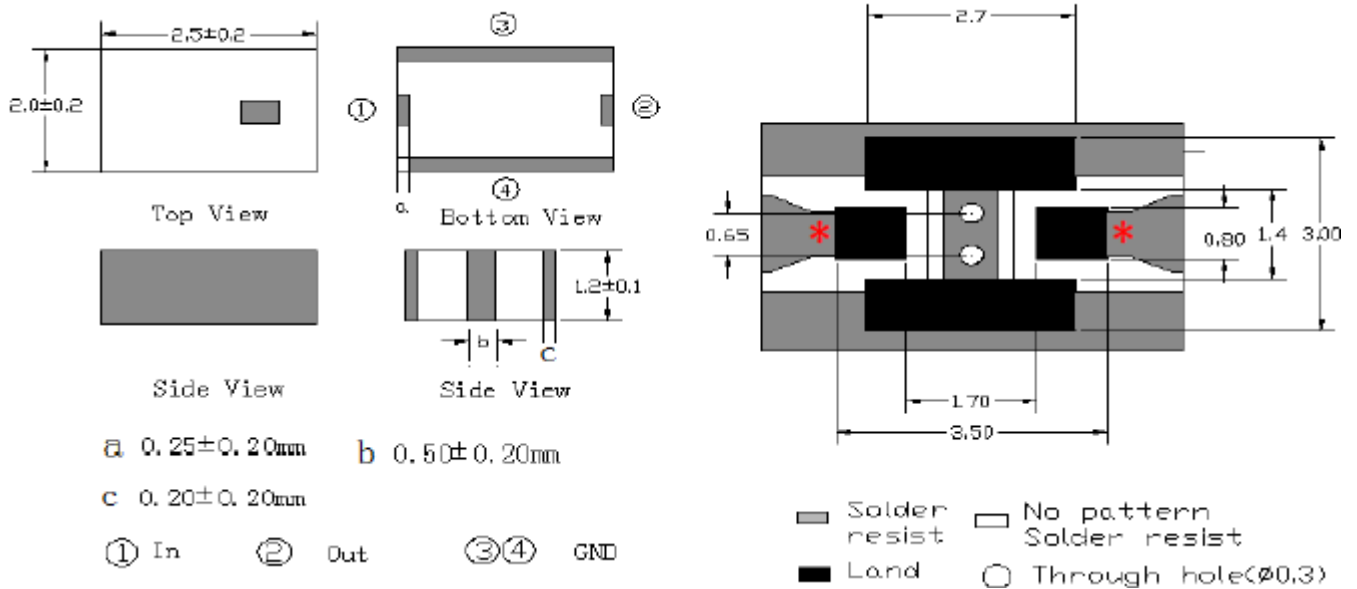
C. FREQUENCY CHARACTERISTICS:

Frequency Response

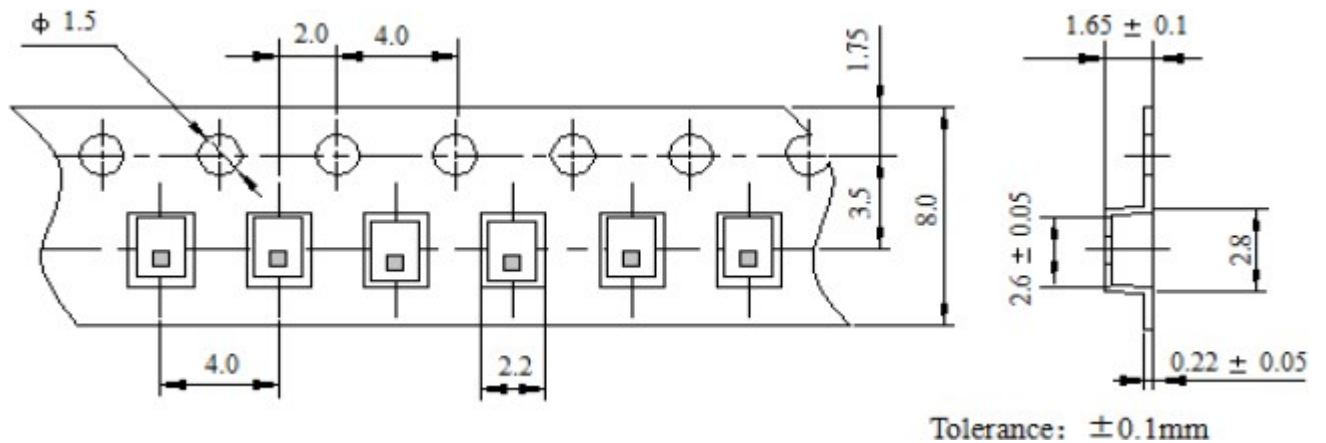


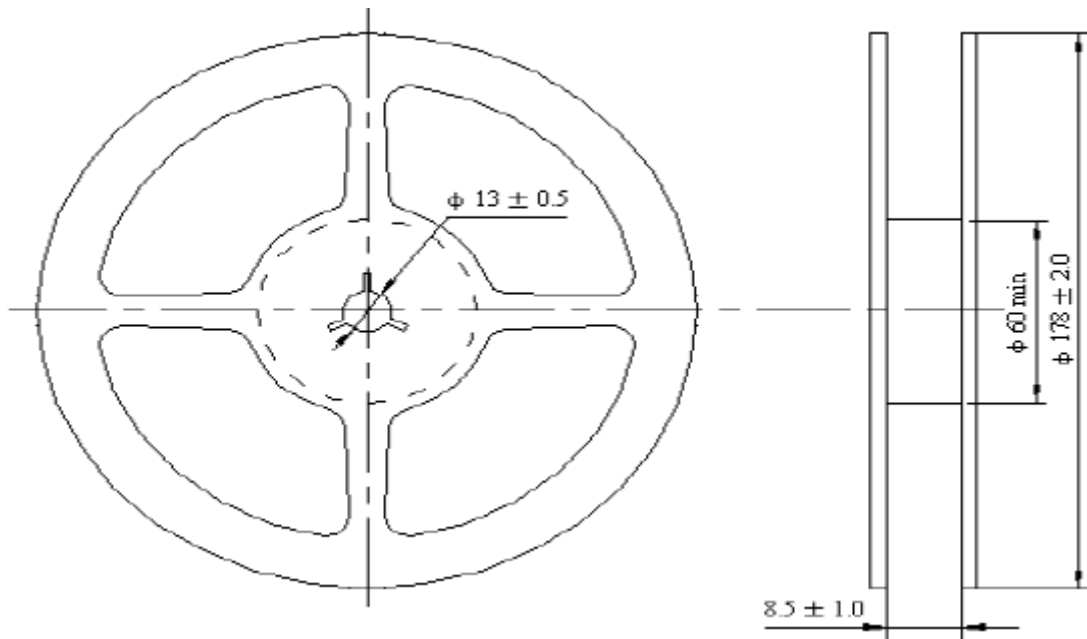
D. OUTLINE DRAWING:

Dimensions (Unit: mm)



E. PACKING: Reel (2500 pcs/Reel)





Reserve a length of 150~200mm for the trailer of the carrier and 250~300 mm for the leader of the carrier and further 250mm of cover tape at the leading part of the carrier.

F. RECOMMENDED REFLOW PROFILE:

