

CF1019-A

**5788 MHz
LTCC Filter**

**Package
Dimensions
2.5 x 2.0 mm**

MAXIMUM RATING:

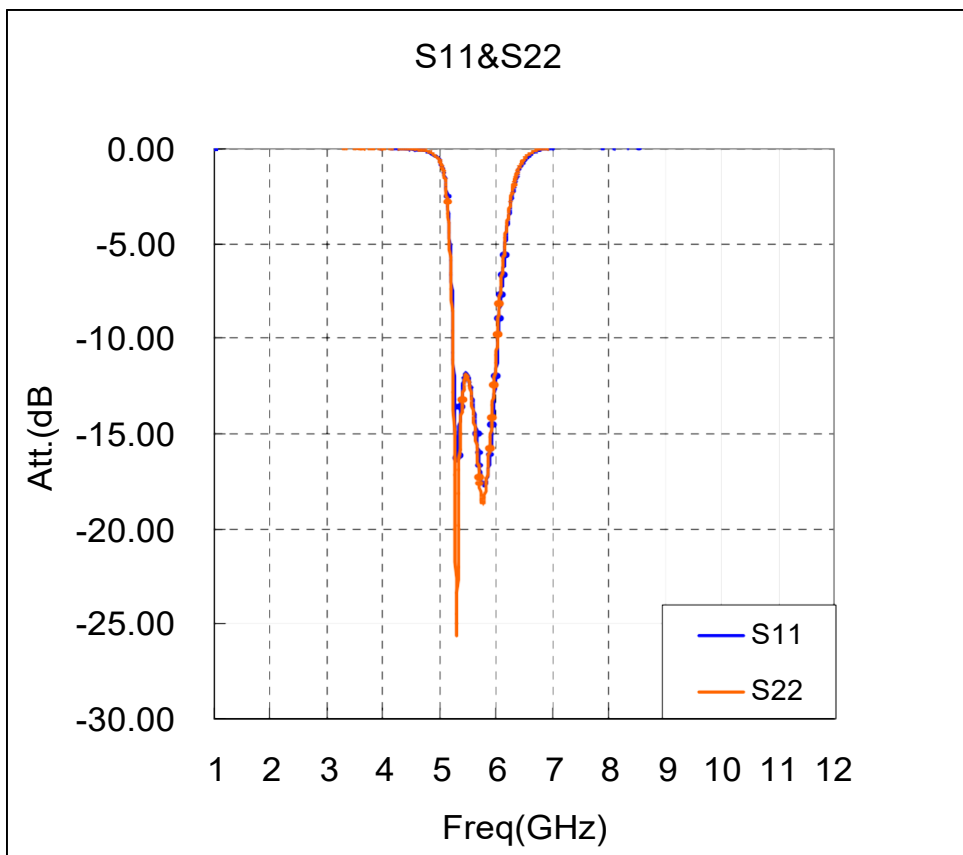
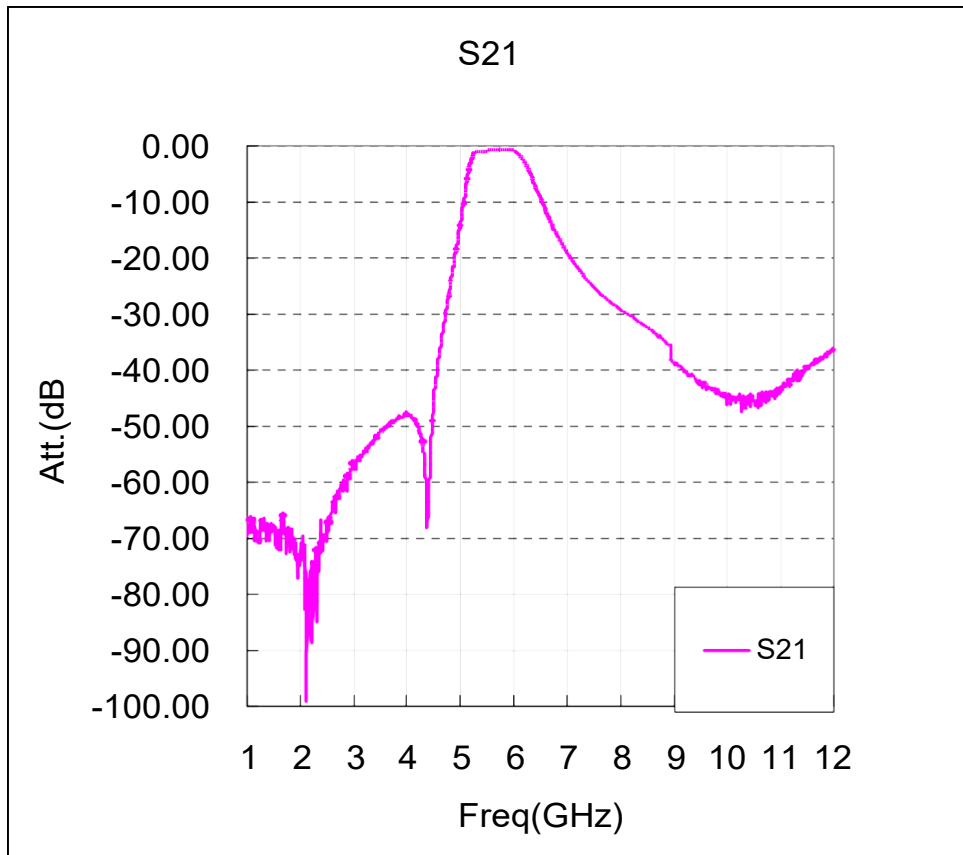
- Input Power : 1W
- Operating temperature range: -40°C to +125°C
- Storage temperature range: -40 °C to +125 °C
- Moisture Sensitivity Level: 1
- AEC-Q200 Qualified

ELECTRICAL CHARACTERISTICS:

Item	Unit	Spec.
Central Frequency Fc	MHz	5788
Band Width	MHz	125
Insertion loss (5725 ~ 5850 MHz) @25°C IL	dB	1.6 Max
Insertion loss (5725 ~ 5850 MHz) @40°C-125°C IL	dB	2.4 Max
Return Loss (5725 ~ 5850 MHz)	dB	10 Min
Attenuation (Reference level from 0 dB)		
1908 ~ 1950 MHz	dB	50 Min
3816 ~ 3900 MHz	dB	47 Min
11450 ~ 11700 MHz	dB	25 Min
In/Out put Impedance	Ω	50

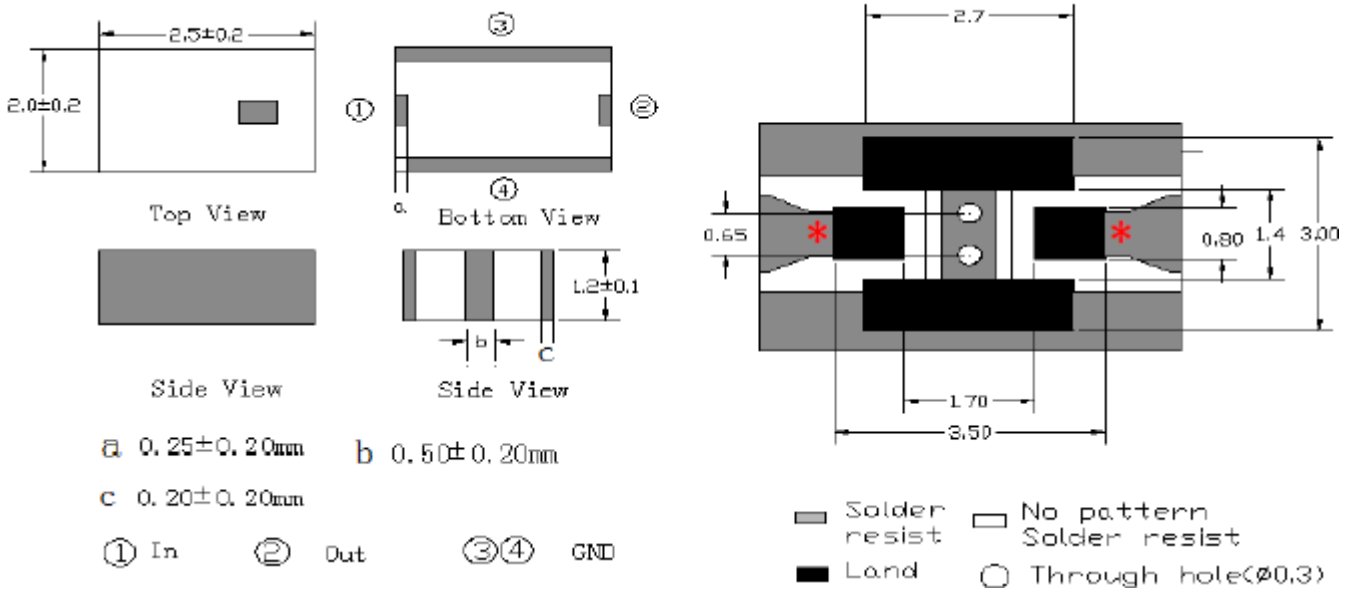
FREQUENCY CHARACTERISTICS:

Frequency Response

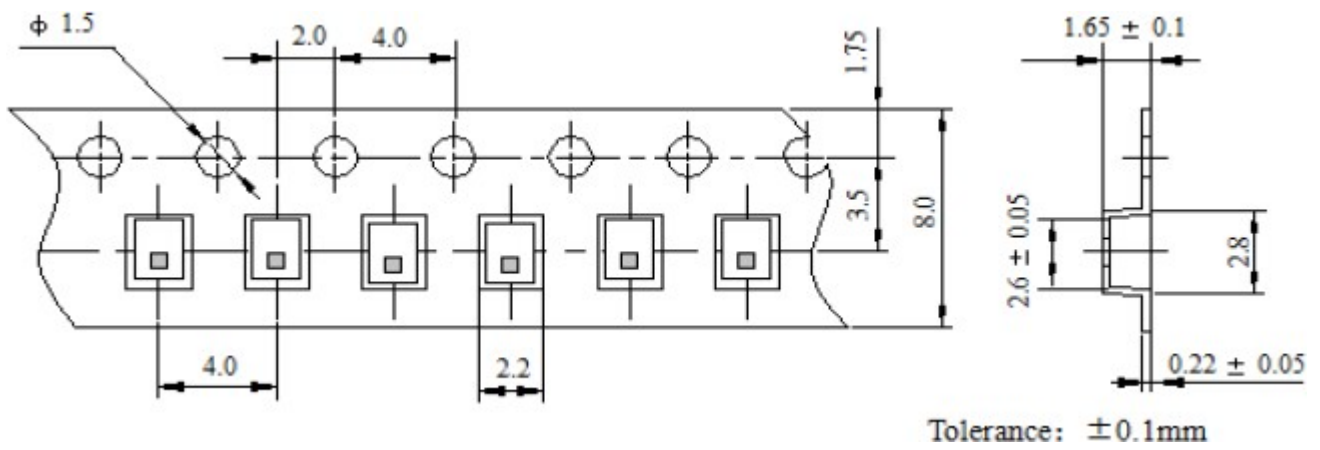


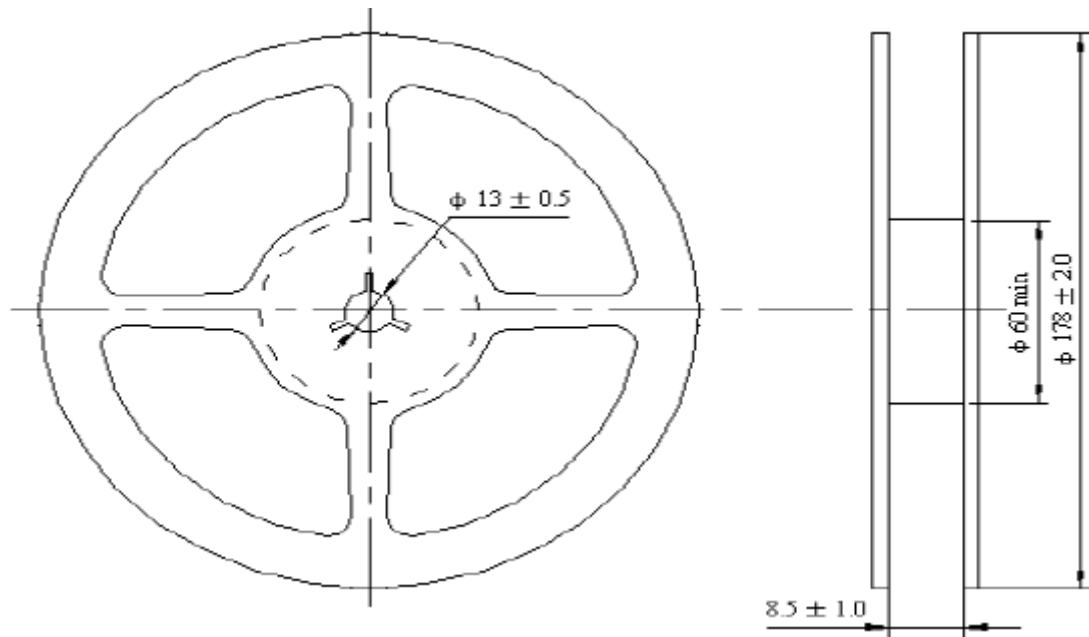
OUTLINE DRAWING:

Dimensions (Unit: mm)



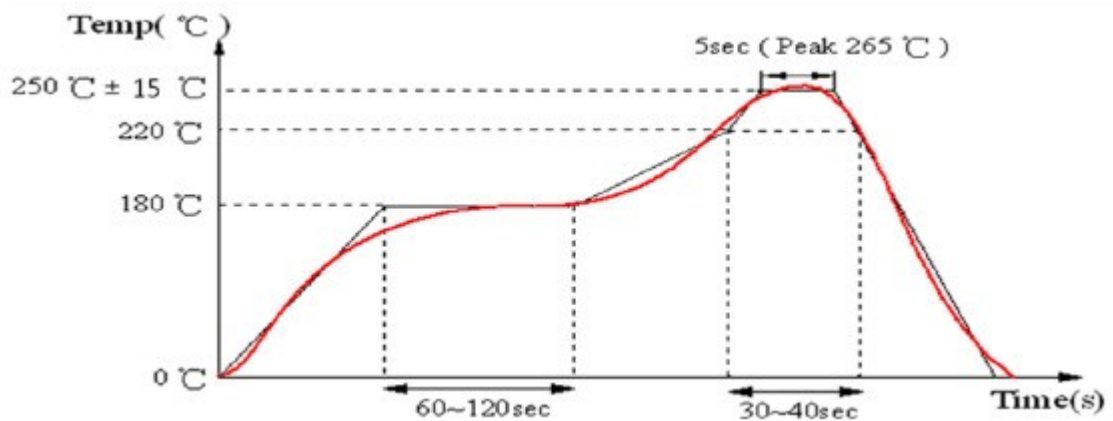
PACKING: Reel (2500 pcs/Reel)





Reserve a length of 150~200mm for the trailer of the carrier and 250~300 mm for the leader of the carrier and further 250mm of cover tape at the leading part of the carrier.

RECOMMENDED REFLOW PROFILE:



CAUTION: Electrostatic Sensitive Device. Observe precautions for handling.

NOTES:

1. The design, manufacturing process, and specifications of this device are subject to change.
2. US or International patents may apply.
3. RoHS compliant from the first date of manufacture.