



RFM Integrated Device, Inc.

PRODUCT  
SPECIFICATION

Part Number: CF1024

Description:  
FILTER, LTCC, 7240  
MHz, BW 2000 MHz

**Preliminary**

**A. Maximum Rating:**

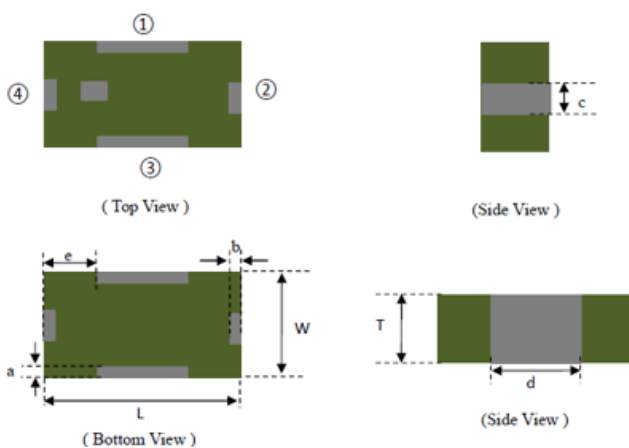
1. Input Power : 3W
2. DC Voltage : 0 V
3. Operating Temperature: -40°C to +105°C
4. Storage Temperature: -40°C to +105°C
5. Moisture Sensitivity Level: Level 1 (**MSL 1**)



**B. Electrical Characteristics:**

Item		Unit	Spec
Center frequency		MHz	7240
Insertion Loss	6240~8240MHz	dB	2.5Max
Return Loss	6240~8240MHz	dB	10Min
Ripple	6240~8240MHz	dB	1.0Max
Delay	6240~8240MHz	ns	3.0Max
Attenuation	DC~5200 MHz	dB	35Min
	2400~2500 MHz	dB	35Min
	5200~5860 MHz	dB	15Min
	9000~9500 MHz	dB	10Min
	9500~18000 MHz	dB	30Min

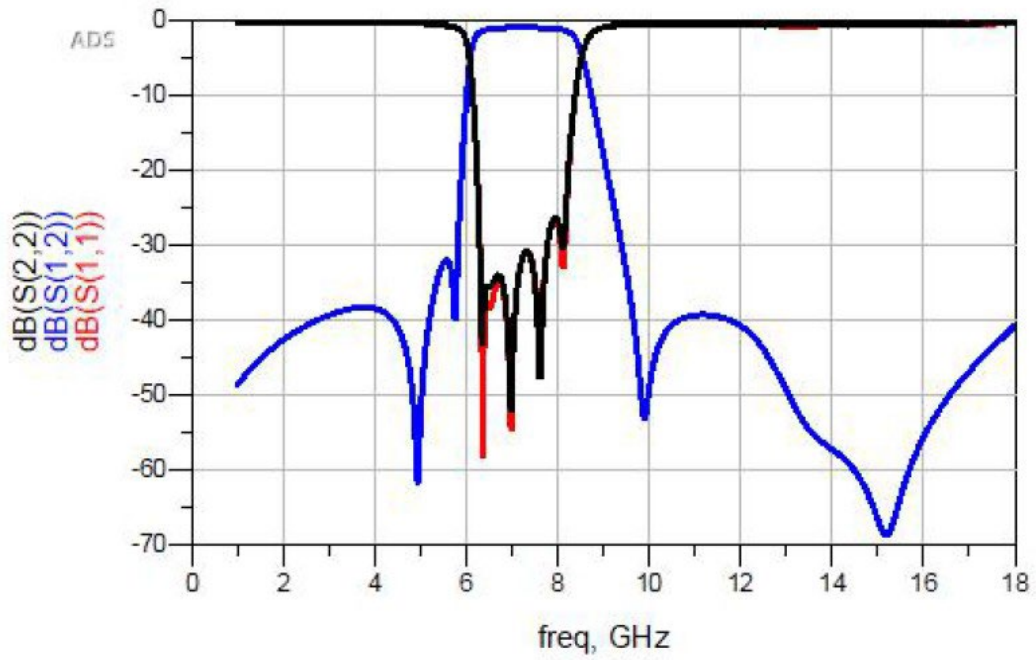
**C. Outline Drawing:**



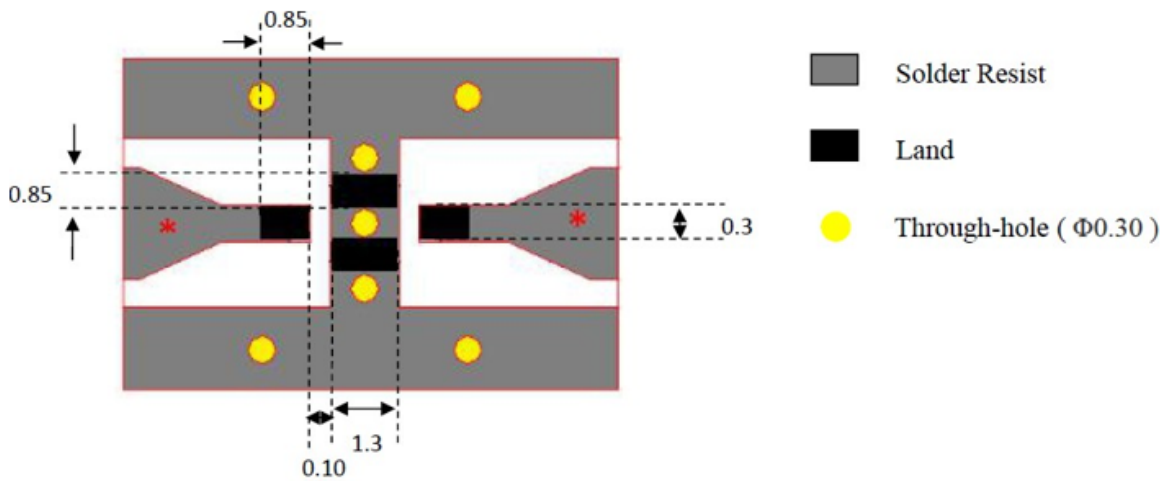
Number	Terminal Name
①	GND
②	OUT
③	GND
④	IN

Symbols	L	W	T	a	b	c	d	e
Dimensions	2.0+/-0.15	1.25+/-0.10	0.95+/-0.10	0.25+/-0.10	0.25+/-0.10	0.3+/-0.10	1.3+/-0.10	0.35+/-0.10

**D. Frequency Characteristics:**



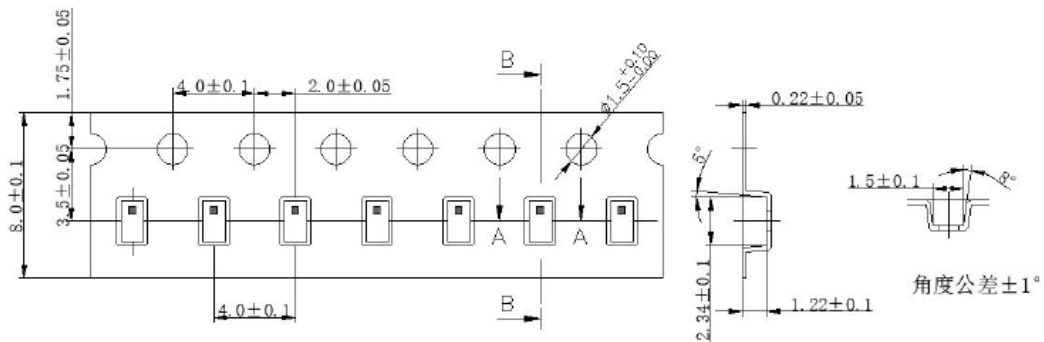
**E. Pcb Foot Print:**



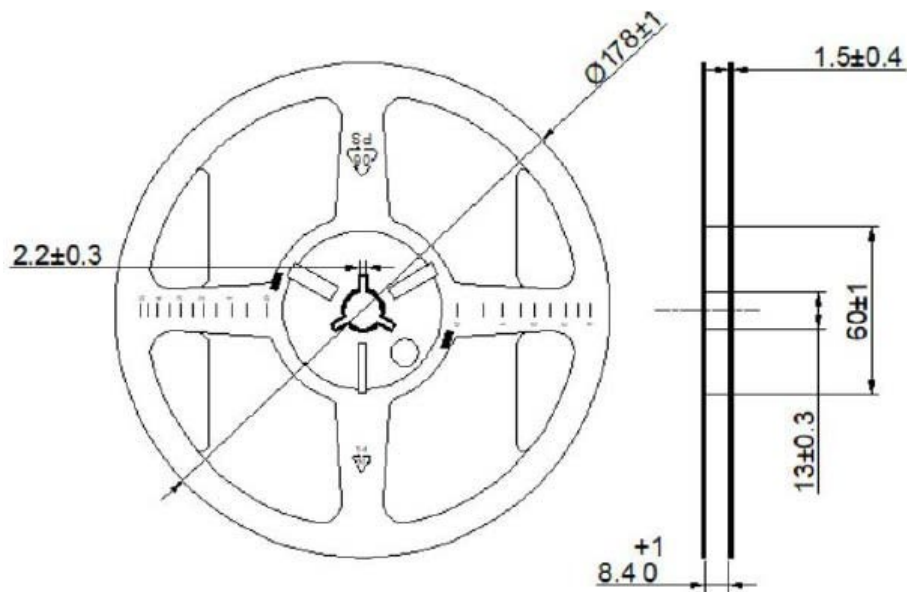
\*Line width should be designed to match 50Ω characteristic impedance, depending on PCB material and thickness

## F. Packing:

### 1. Plastic Tape



### 2. Reel (4000 pcs/Reel)



## G. Recommended Solder Profile

1. Preheating shall be fixed at  $150 \sim 180^\circ\text{C}$  for 60~90 seconds.
2. Ascending time to preheating temperature  $150^\circ\text{C}$  shall be 30 seconds min.
3. Heating shall be fixed at  $220^\circ\text{C}$  for 50~80 seconds and at  $260^\circ\text{C} \pm 0/-5^\circ\text{C}$  peak (20~40sec).
4. Time: 2 times.

