



RFM Integrated Device, Inc.

PRODUCT SPECIFICATION

Part Number: CF1025

Description:
FILTER,LTCC,LOW
PASS,1710~1990 MHz, 0.6 dB

Preliminary

A. MAXIMUM RATING:

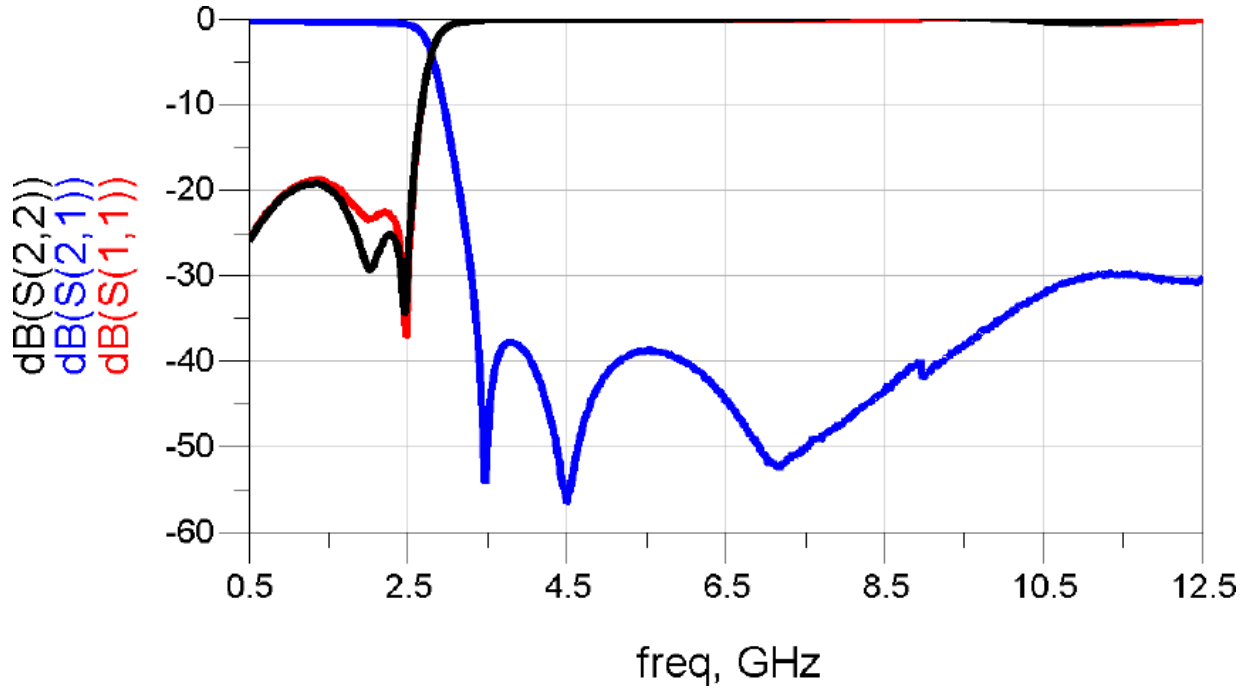
- B.** Input Power Level: 2W
- C.** DC Voltage : 5V
- D.** Operating Temperature: -40°C to +85°C
- E.** Storage Temperature: -40°C to +85°C
- F.** Moisture Sensitivity Level: Level(**MSL1**)
- G.** No Marking



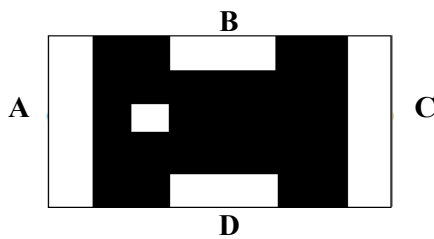
B. ELECTRICAL CHARACTERISTICS:

Item	Specifications
Frequency Range	1710 ~ 1990MHz
Insertion Loss	0.6 dB max
Return Loss	10 dB min
Attenuation	30.5 dB min 3420 ~ 3980 MHz 28.5 dB min 5130 ~ 5970 MHz 25 dB min 5970 ~ 12500 MHz
Operation Temperature Range	-40°C ~ 85°C
In/Output Impedance	50 Ω

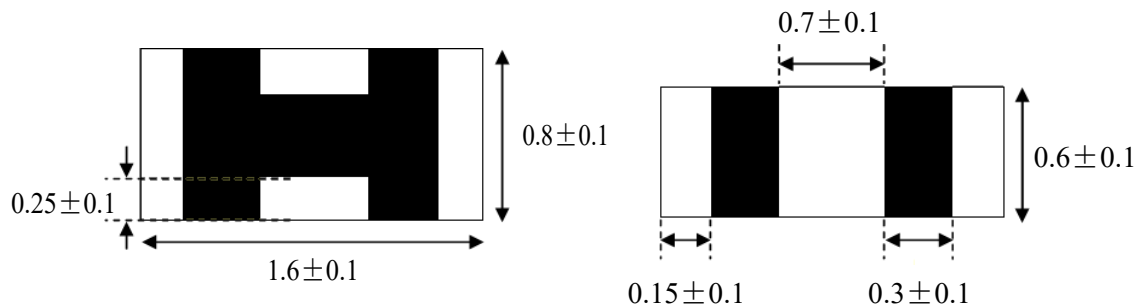
C. Frequency Characteristics : (Simulation)



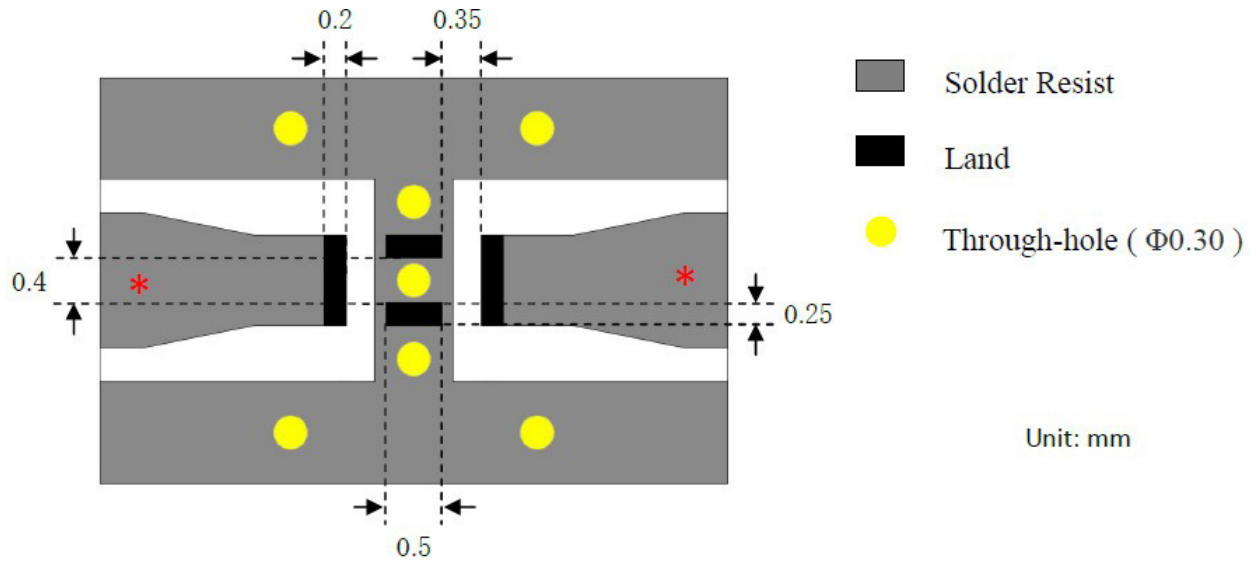
D. Pin Assignment :



A: Input
 C: Output
 B,D: Ground



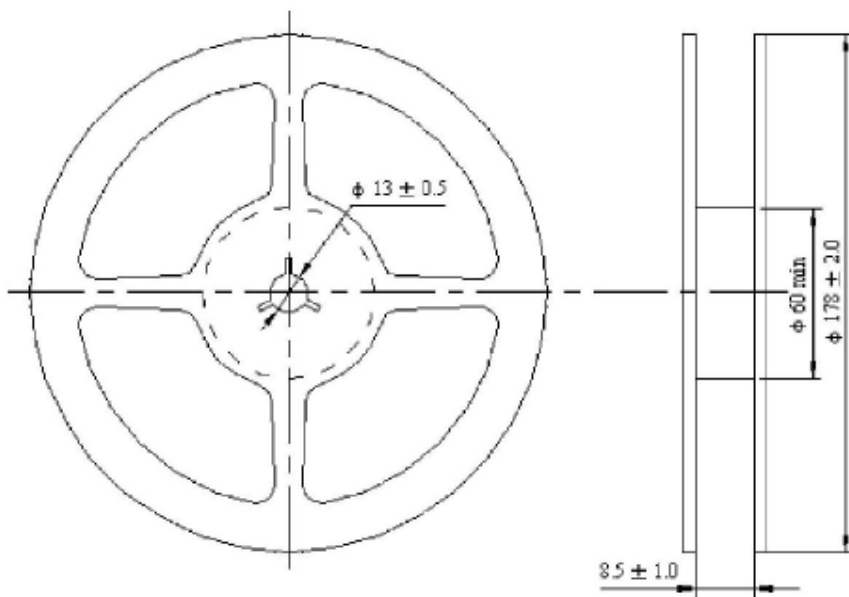
E. PCB Footprint



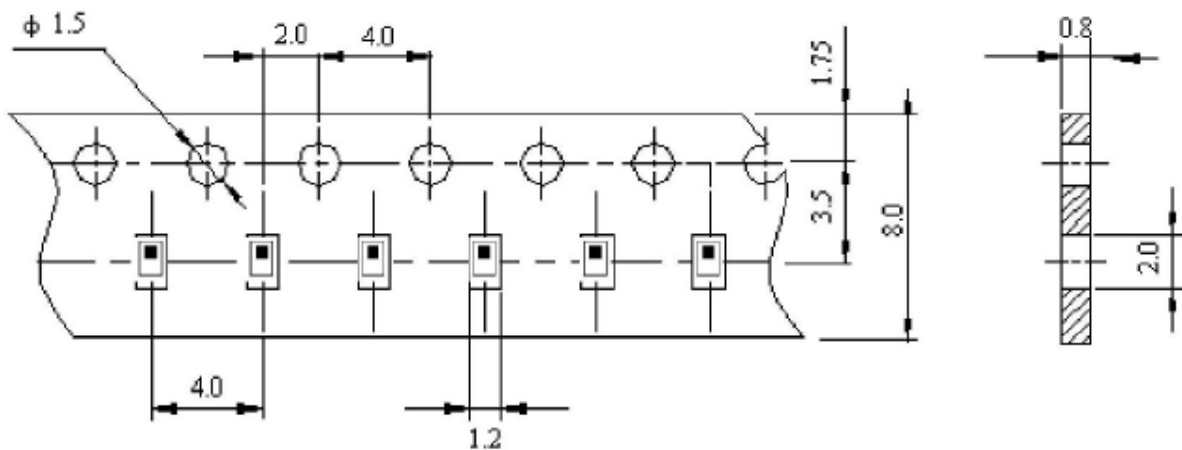
Unit: mm

F. Packing:

1. Reel(6000pcs/reel)



2. Plastic Tape



G. Recommended Reflow Profile:

1. Preheating shall be fixed at 150~180°C for 60~90 seconds.
2. Ascending time to preheating temperature 150°C shall be 30 seconds min.
3. Heating shall be fixed at 220°C for 50~80 seconds and at 245~260°C peak (min. 10sec).
4. Time : 2 times.

