



RFM Integrated Device, Inc.

**PRODUCT
SPECIFICATION**

Part Number: CF1026

Description:
FILTER, LTCC, WiFi
6e , 6012.5 MHz, BW 1225
MHz, IL 1.1 dB

Preliminary

1. Features

- 1-1. High Rejection and Low Insertion loss
- 1-2. Dimensions 1.6 x 0.8 x 0.65 mm
- 1-3. Maximum input power 3W max.
- 1-4. MSL1
- 1-5. AEC-Q200 Qualified

Automotive grade product



2. Applications

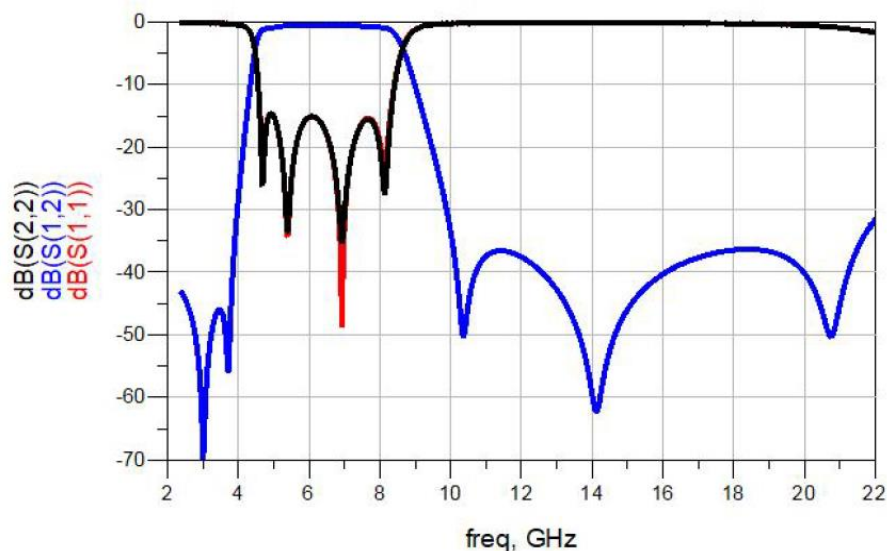
- 2-1. 4900 ~ 7125 MHz working frequency.

3. Electrical Characteristics

- 3-1. Specification table

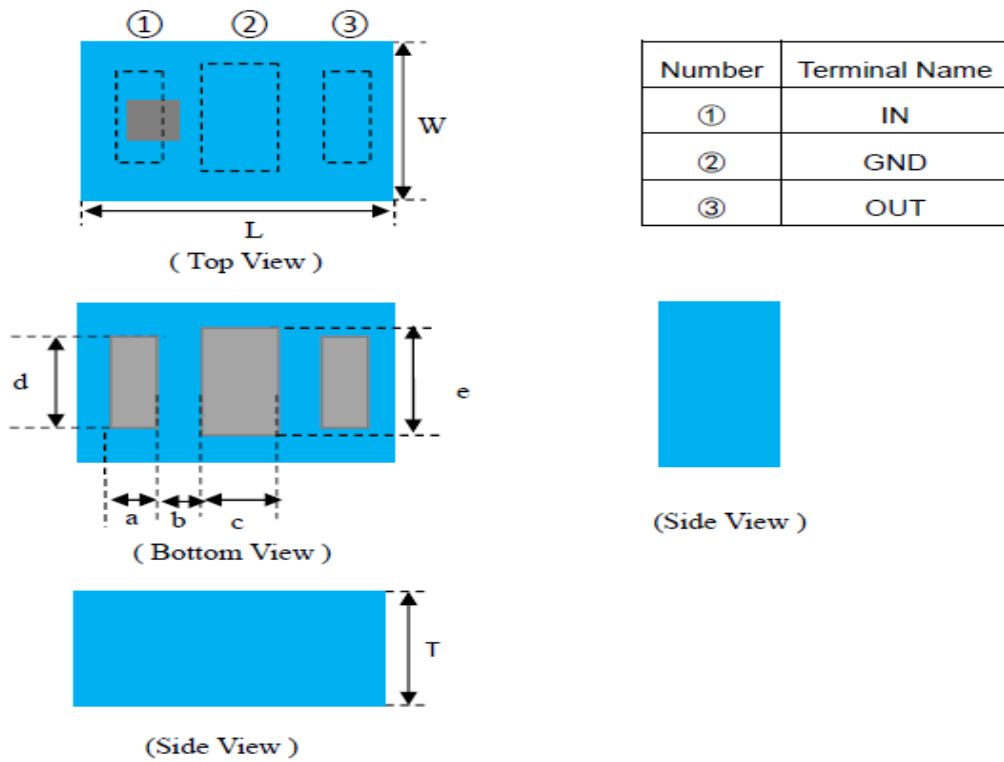
ITEM	Specifications
Frequency range	4900~7125 MHz
Insertion Loss	≤0.9 dB (at 25°C) ≤1.1 dB (at -40~+105°C)
Return Loss	≥10 dB
Attenuation	≥40 dB (2400~2500 MHz) ≥30 dB (10340~14250 MHz) ≥30 dB (15510~21375 MHz)
Permissible Input Power (MAX)	3 W
In/Output Impedance	50 Ω
Operating Temperature range Storage Temperature range	-40°C~+105°C -40°C~+105°C

- 3-2. Characteristic curve



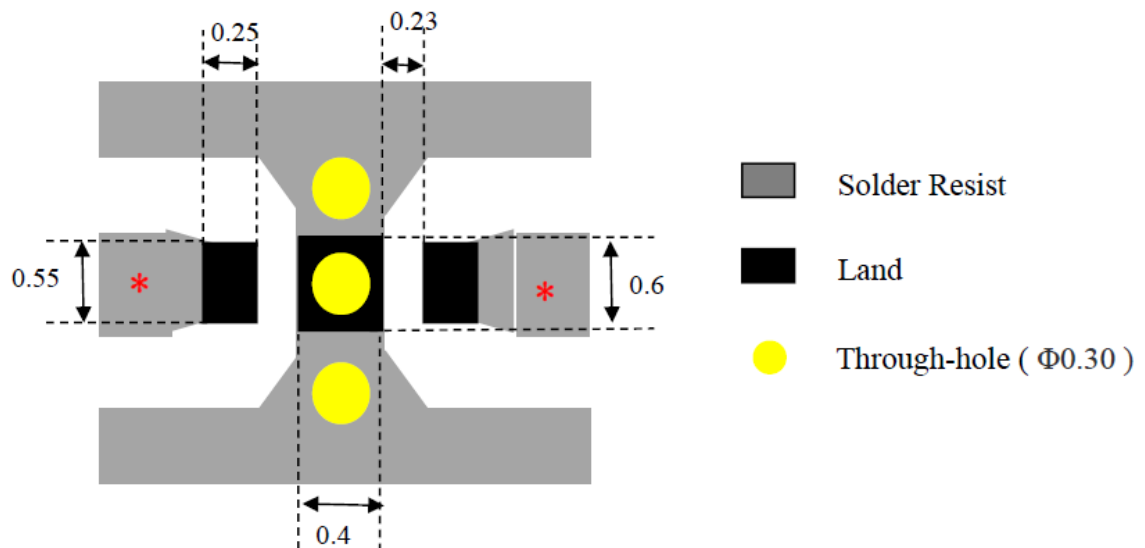
4. Dimensions (Unit:mm)

4-1. Dimension



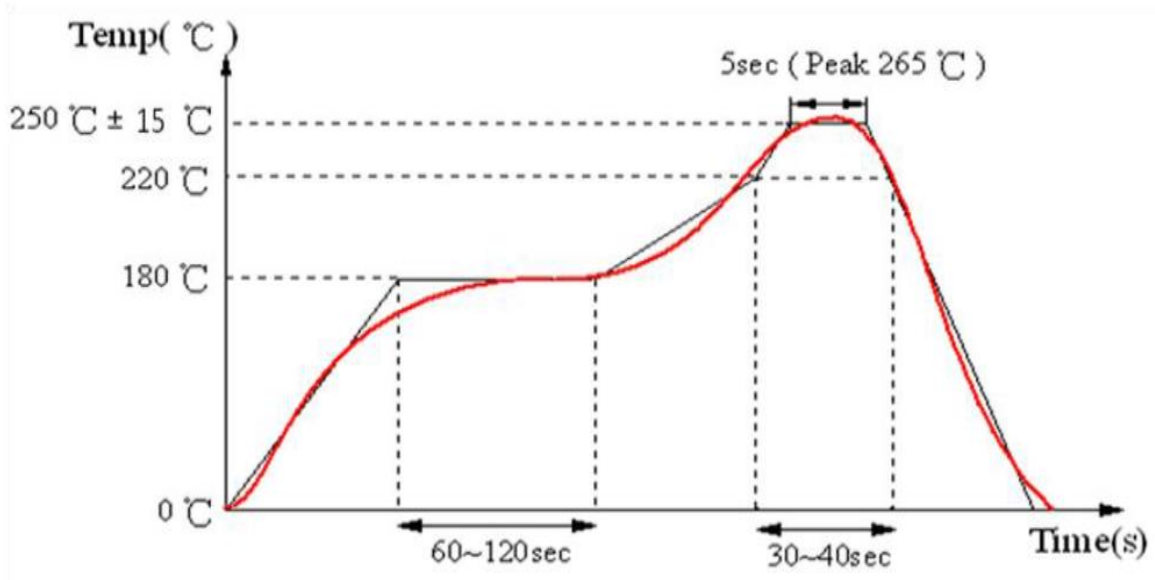
Symbols	L	W	T	a	b	c	d	e
Dimensions	1.6 ± 0.15	0.8 ± 0.15	0.65max	0.25 ± 0.10	0.23 ± 0.05	0.4 ± 0.10	0.55 ± 0.10	0.6 ± 0.10

4-2. Recommended PCB Layout



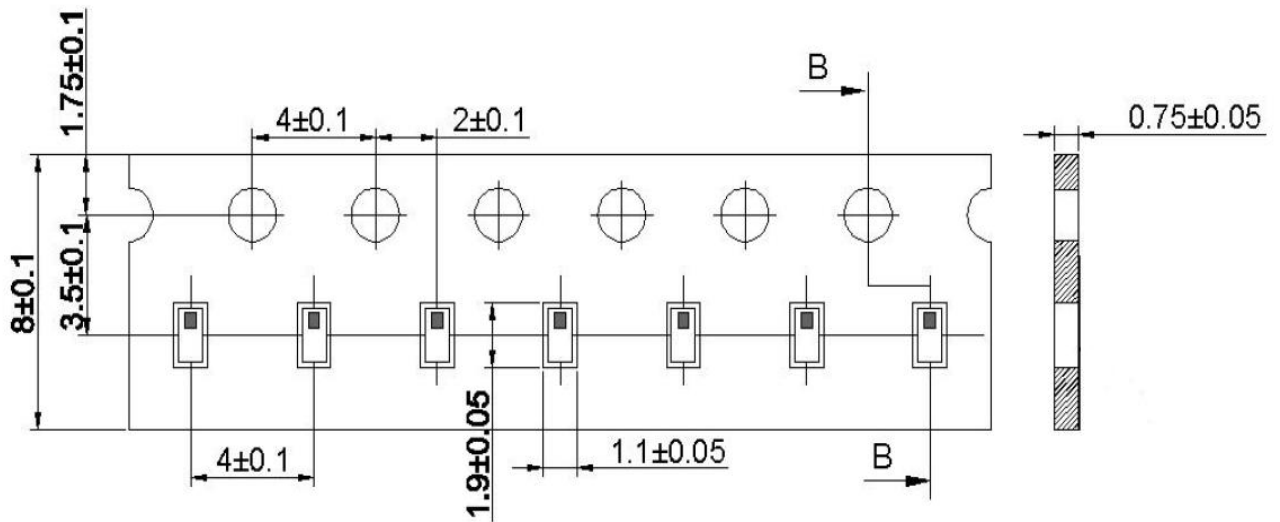
* Line width should be designed to match 50Ω characteristic impedance, depending on PCB material and thickness

5. Reflow Soldering Standard Condition



6. Packaging and Dimensions

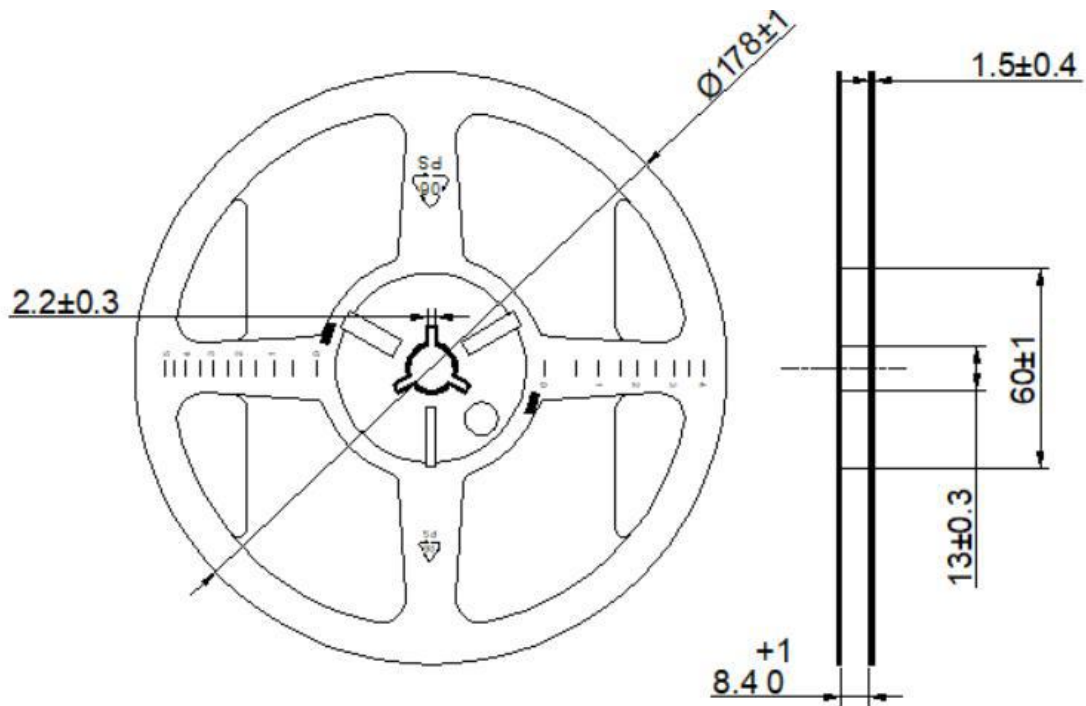
6-1. Paper Tape



6-2. Remarks for Packag

Reserve a length of 200mm at least for the trailer of the carrier and 200mm at least for the leader of the carrier and further 200mm at least of cover tape at the leading part of the carrier.

6-3. Reel (6000pcs/ Reel)



6-4. Storage Period

Product should be used within twelve months of receipt.

MSL 1 / Storage Temperature Range : $-40 \sim 85$ degree C, Humidity : $< 85\% \text{RH}$