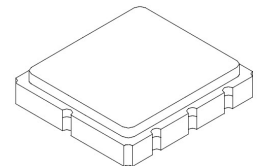


RF3624D

314.45 MHz SAW Filter



SM3838-8 Case
3.8 x 3.8

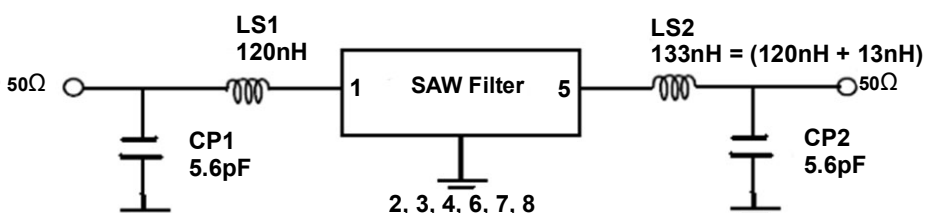
- Ideal Front-End Filter for European Wireless Receivers
- Low-Loss, Coupled-Resonator Quartz Design
- Simple External Impedance Matching
- Complies with Directive 2002/95/EC (RoHS)
- Moisture Sensitivity Level: 1
- AEC-Q200 Qualified

Rating	Value	Units
Input Power Level	13	dBm
DC Voltage	0	VDC
Operable Temperature Range	-45 to +125	°C
Storage Temperature	-40 to +105	°C
Specification Temperature Range	-40 to +105	°C
Solder Reflow, 5 Cycles Maximum	260°C for 10 Seconds	

Electrical Characteristics

Characteristic	Sym	Notes	Min	Typ	Max	Units
Center Frequency	f_c			314.45		MHz
Minimum Insertion Loss, α min	IL					dB
Incl. Loss in Matching Elements 313.92 to 314.98 MHz				1.9	2.7	
Excl. Loss In Matching Elements 313.92 to 314.98 MHz				1.0	1.6	
Pass Band (Relative to α min)						dB
313.92 to 314.98 MHz				2.2	3.0	
313.90 to 315.00 MHz				2.7	3.4	
Relative Attenuation (Relative to α min)						dB
10 to 180 MHz			61	66		
180 to 200 MHz			57	62		
300 to 310 MHz			26	31		
310 to 313 MHz			11	16		
315.9 to 318.8 MHz			11	16		
318.9 to 326 MHz			18	25		
326 to 328 MHz			31	36		
328 to 340 MHz			36	41		
340 to 389 MHz			41	46		
389 to 568 MHz			54	59		
568 to 1164 MHz			61	66		
1164 to 2250 MHz			51	57		
2250 to 2500 MHz			55	61		
Input: $Z_{IN} = Ls1/Cp1$				120/5.6		nH/pF
Output: $Z_{OUT} = Ls2/Cp2$				133/5.6		

Measurement Circuit- This matching network is specific to our demo board only.



Pin	Connection
1	Input or Input Ground
2	Input Ground or Input
5	Output or Output Ground
6	Output Ground or Output
3, 4, 7, 8	Ground



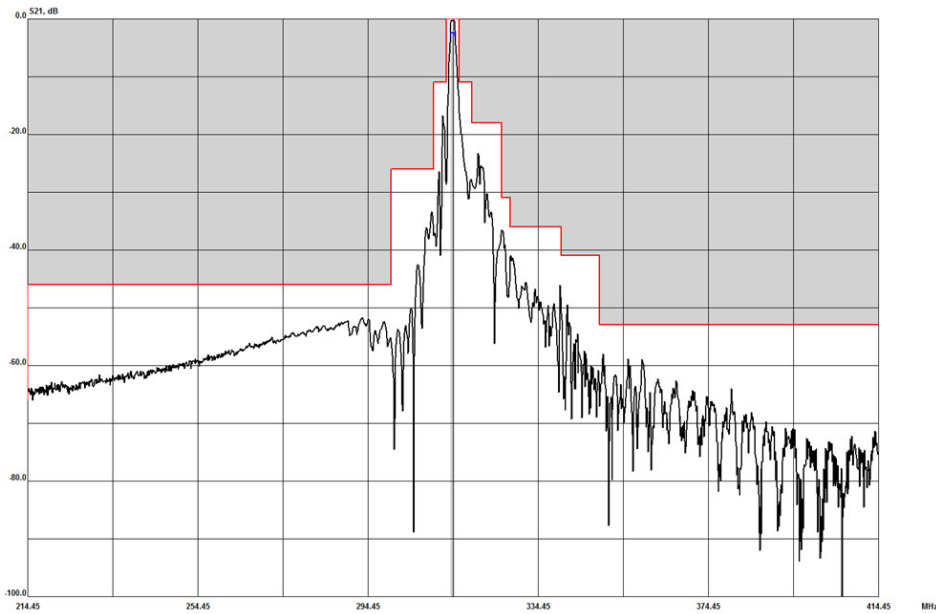
CAUTION: Electrostatic Sensitive Device. Observe precautions for handling.

NOTES:

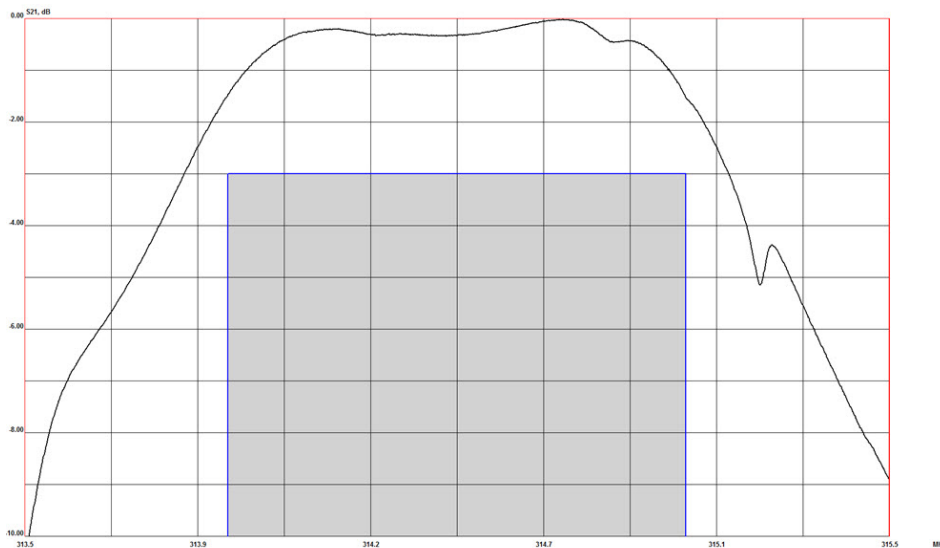
1. The design, manufacturing process, and specifications of this device are subject to change.
2. US or International patents may apply.
3. RoHS compliant from the first date of manufacture.

Frequency Characteristics

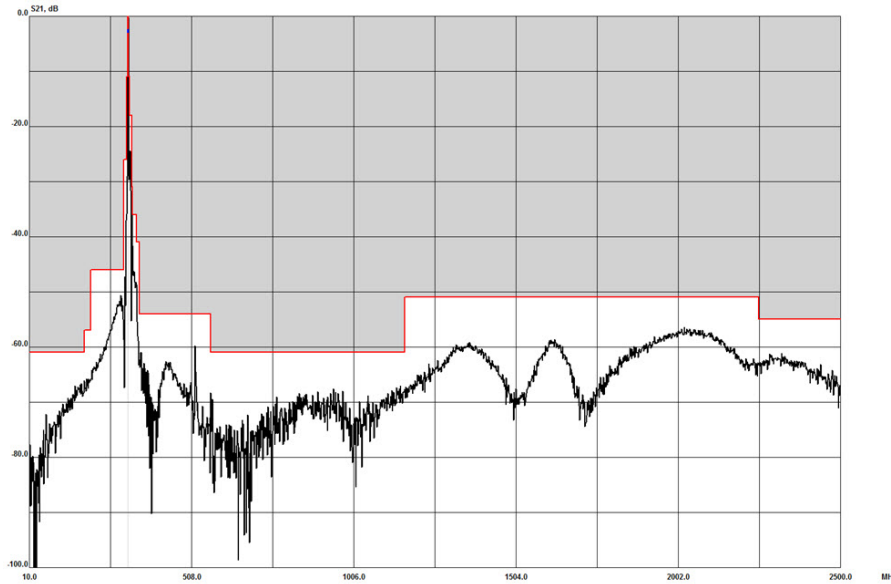
S21 Response: Span - 200 MHz



S21 Response: Span - 2 MHz

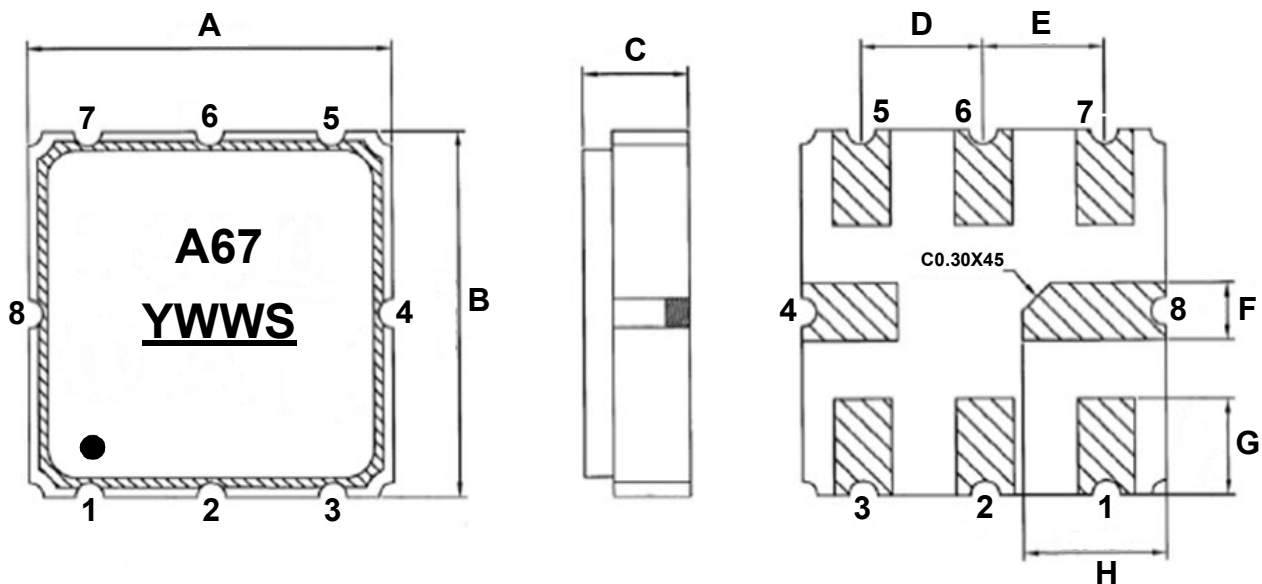


S21 Response: Span - 10MHz to 2.5 GHz

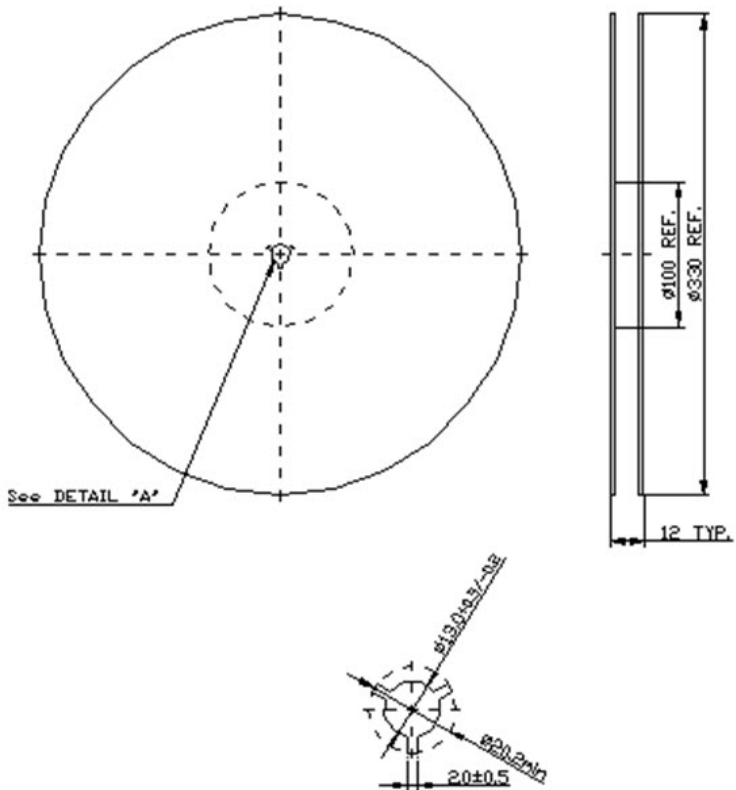


Case Dimensions

Dimension	mm			Inches		
	Min	Nom	Max	Min	Nom	Max
A	3.65	3.8	3.95	0.14	0.15	0.16
B	3.65	3.8	3.95	0.14	0.15	0.16
C	-	-	1.4	-	-	0.06
D	-	1.27	-	-	0.05	-
E	-	1.27	-	-	0.05	-
F	-	0.60	-	-	0.02	-
G	-	1.00	-	-	0.03	-
H	-	1.50	-	-	0.05	-

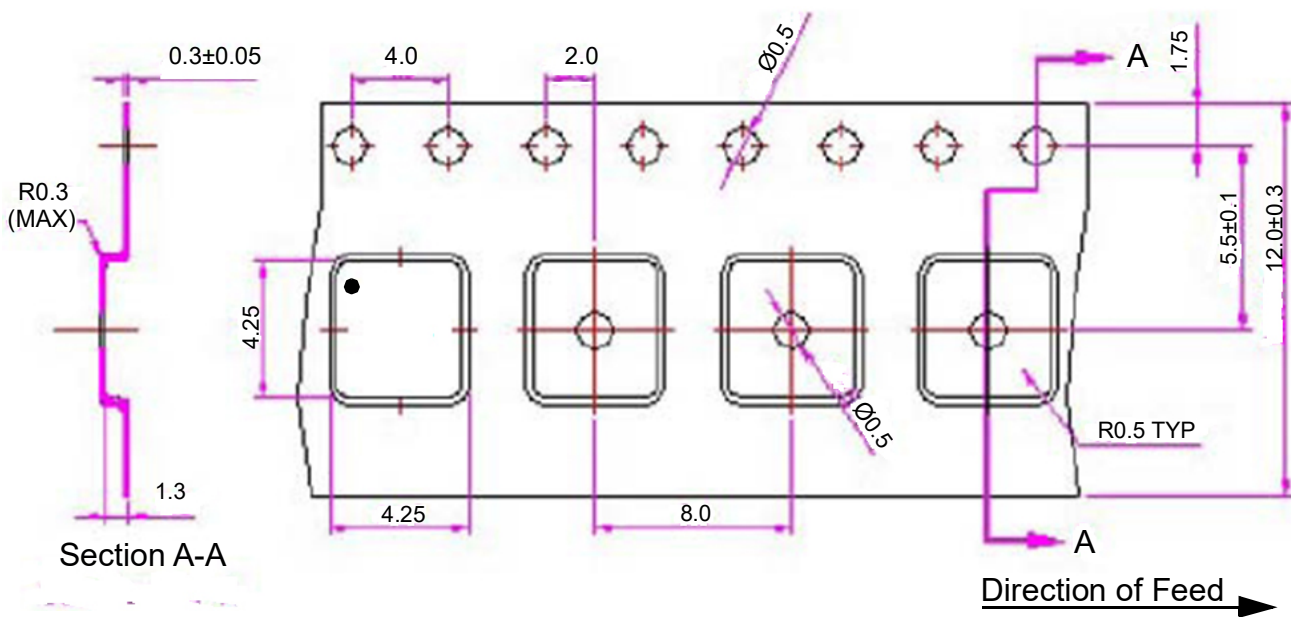


Reel Dimensions



Tape and Reel Standard per ANSI/EIA-481

Tape Dimensions



Recommended Reflow Profile

1. Preheating shall be fixed at 150~180°C for 60~90 seconds.
2. Ascending time to preheating temperature 150°C shall be 30 seconds min.
3. Heating shall be fixed at 220°C for 50~80 seconds and at 260°C +0/-5°C peak (10 seconds).
4. Time: 5 times maximum.

