



RFM Integrated Device, Inc.

PRODUCT SPECIFICATION  
(Product Name: SAW Filter)

Part Number:  
SAFBC433MPB0X00

# SAW FILTER FOR RKE

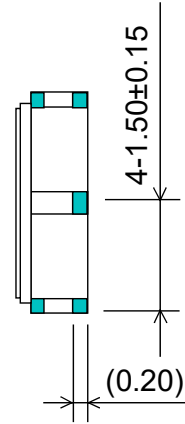
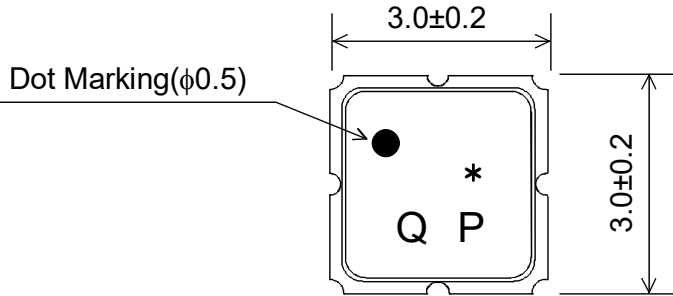
RfMi part number :SAFBC433MPB0X00



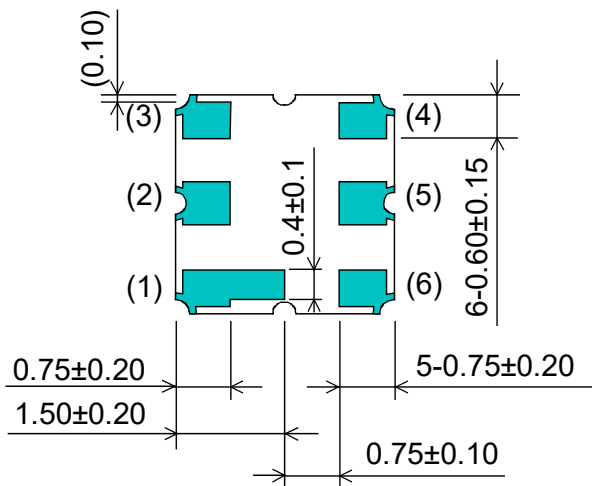
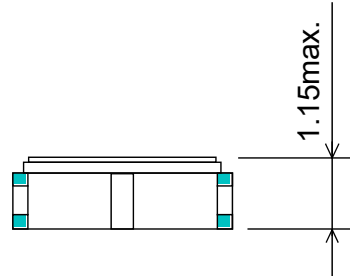
**AUTOMOTIVE**

## Package Dimensions

Top View



Bottom View



Marking  
: Laser Printing

(2) : Input  
(5) : Output  
Others : Ground

Unit : mm

# SAW FILTER FOR RKE

RFMi part number :SAFBC433MPB0X00

## Specification

AUTOMOTIVE

-40~+125° C

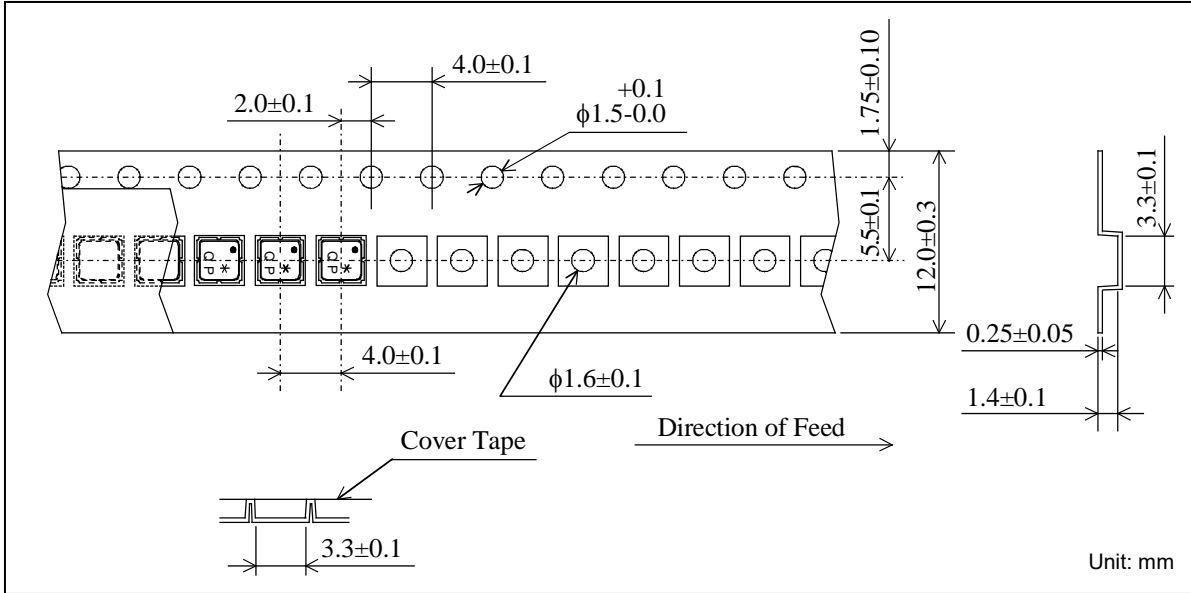
	Item	Specifications	Typical value at 25±2°C (Reference value)
6.1	Nominal Center Frequency (fc)	433.920MHz	—
6.2	3dB Bandwidth (from minimum loss point)	fc±150kHz min.	690kHz
6.3	Stop Band Attenuation (from minimum loss point)		
	1) 10.00 ... 414.00 MHz	46dB min.	51dB
	2) 414.00 ... 424.00 MHz	38dB min.	43dB
	3) 424.00 ... 430.62 MHz	16dB min.	20dB
	4) 430.62 ... 432.12 MHz	29dB min.	36dB
	5) 432.12 ... 432.92 MHz	14dB min.	18dB
	6) 434.92 ... 437.00 MHz	18dB min.	26dB
	7) 437.00 ... 455.50 MHz	47dB min.	53dB
	8) 455.50 ... 485.00 MHz	20dB min.	28dB
	9) 485.00 ... 1000.00 MHz	45dB min.	53dB
	10) 1000.00 ... 2500.00 MHz	52dB min.	58dB
6.4	Insertion Loss (at minimum loss point)	2.7dB max.	1.9dB

Input / Output Impedance (nominal)	230ohm//1.7pF (107.7- 114.8johm)
Input Signal Level	30mW(+14.8dBm), 1minute 20mW(+13dBm), 1000hours

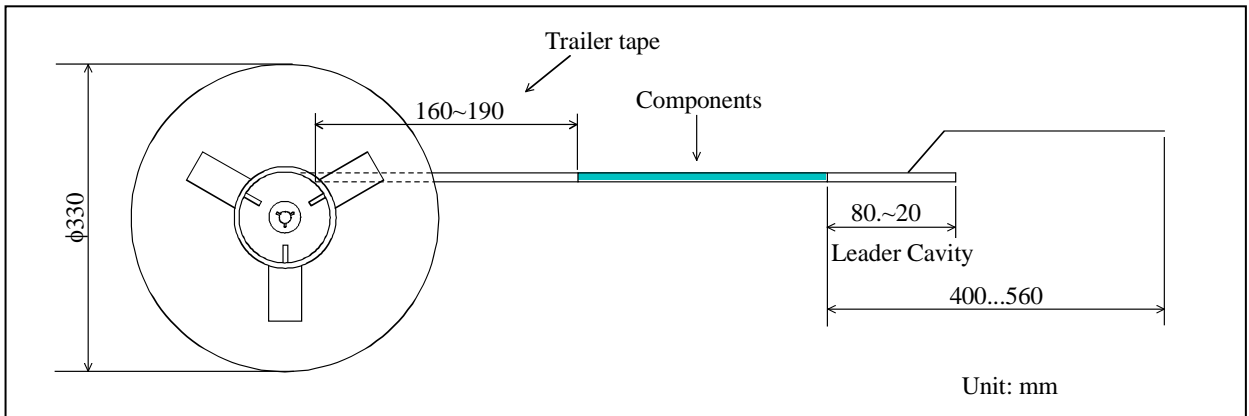
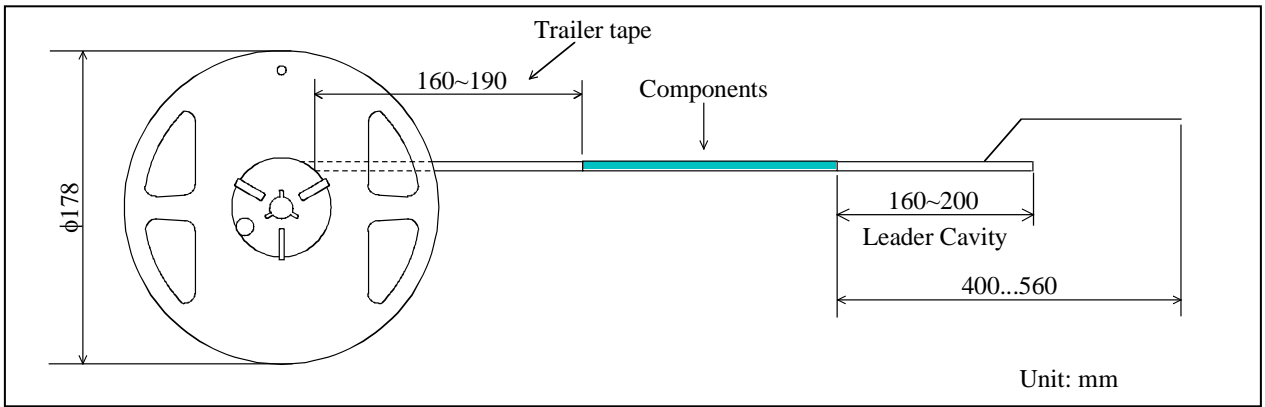
# SAW FILTER FOR RKE

RFMi part number :SAFBC433MPB0X00

## Dimensions of Carrier Tape



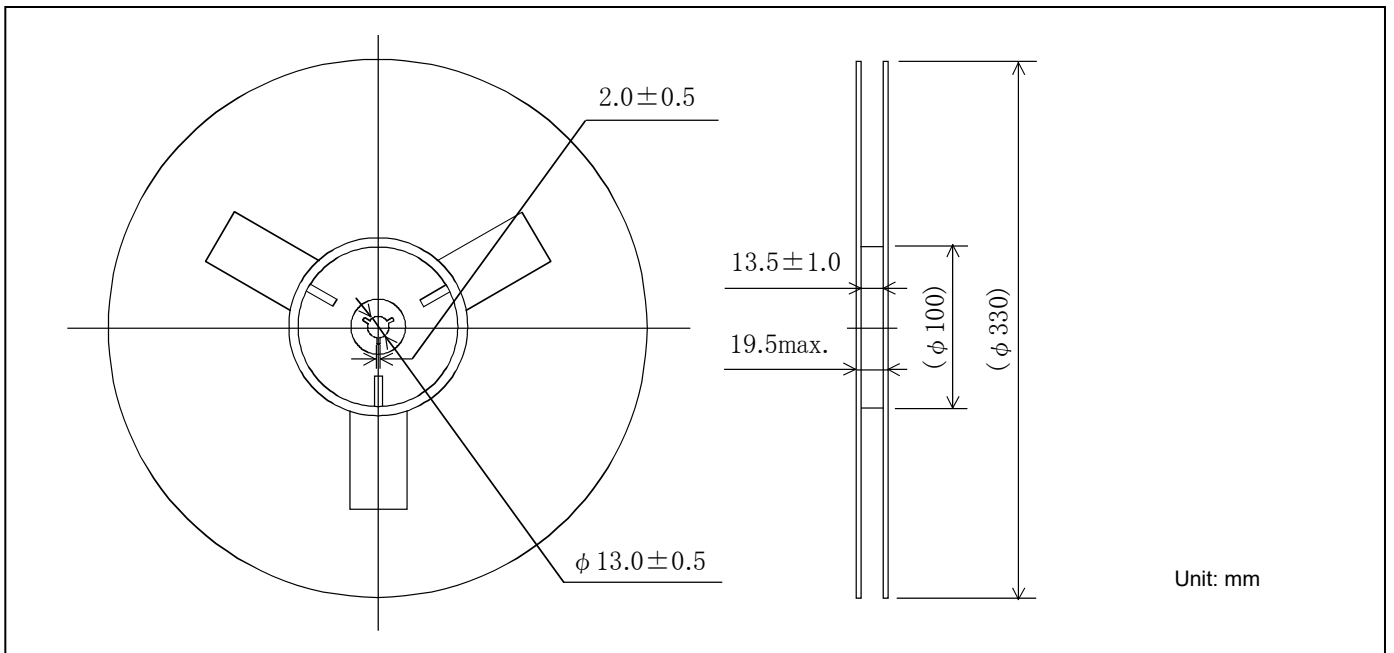
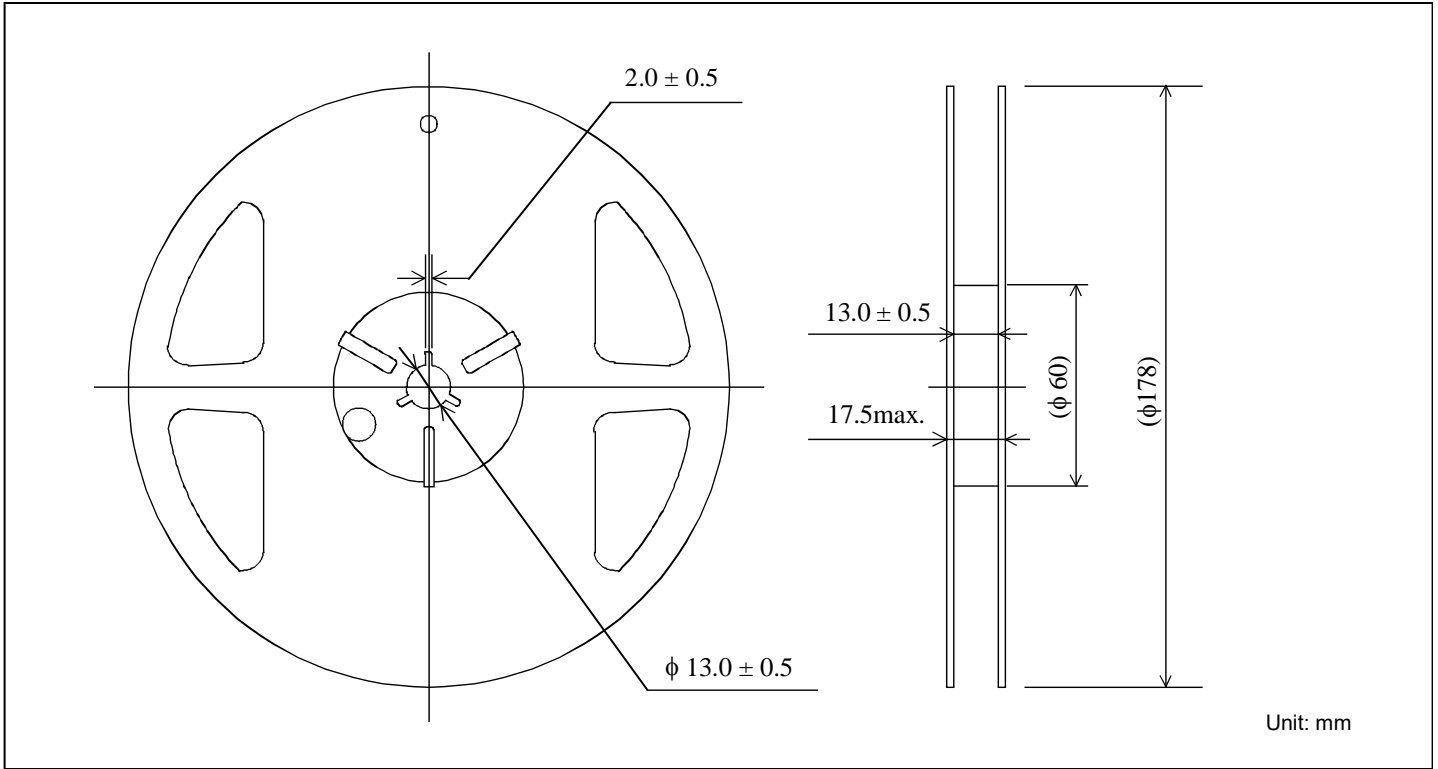
## Dimensions of Tape



# SAW FILTER FOR RKE

RFMi part number :SAFBC433MPB0X00

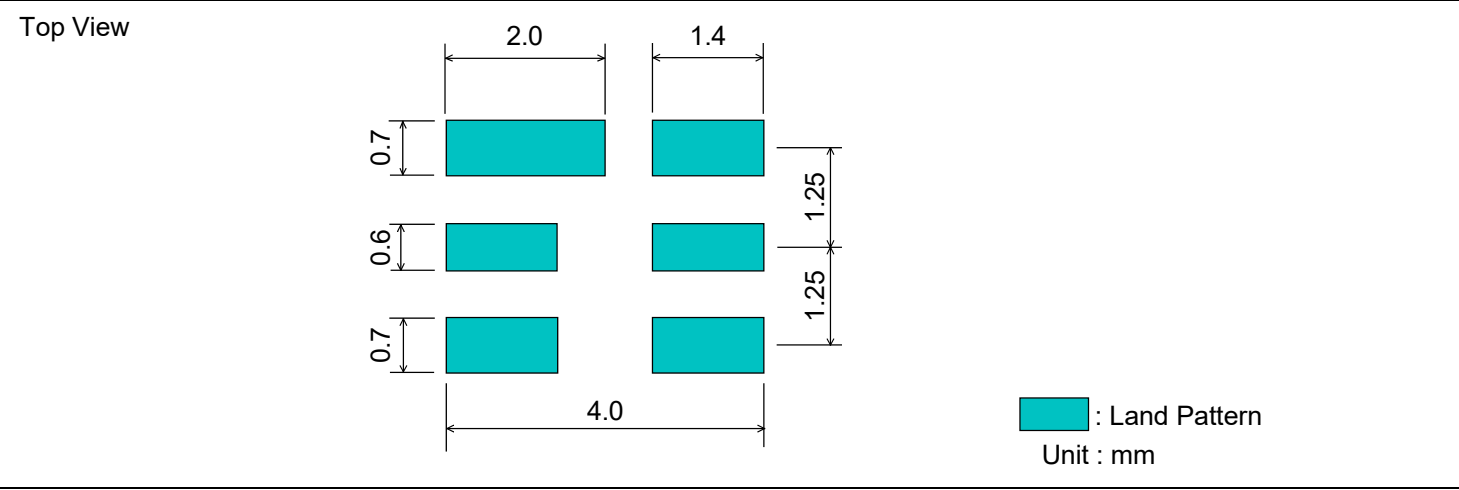
## Dimensions of Reel



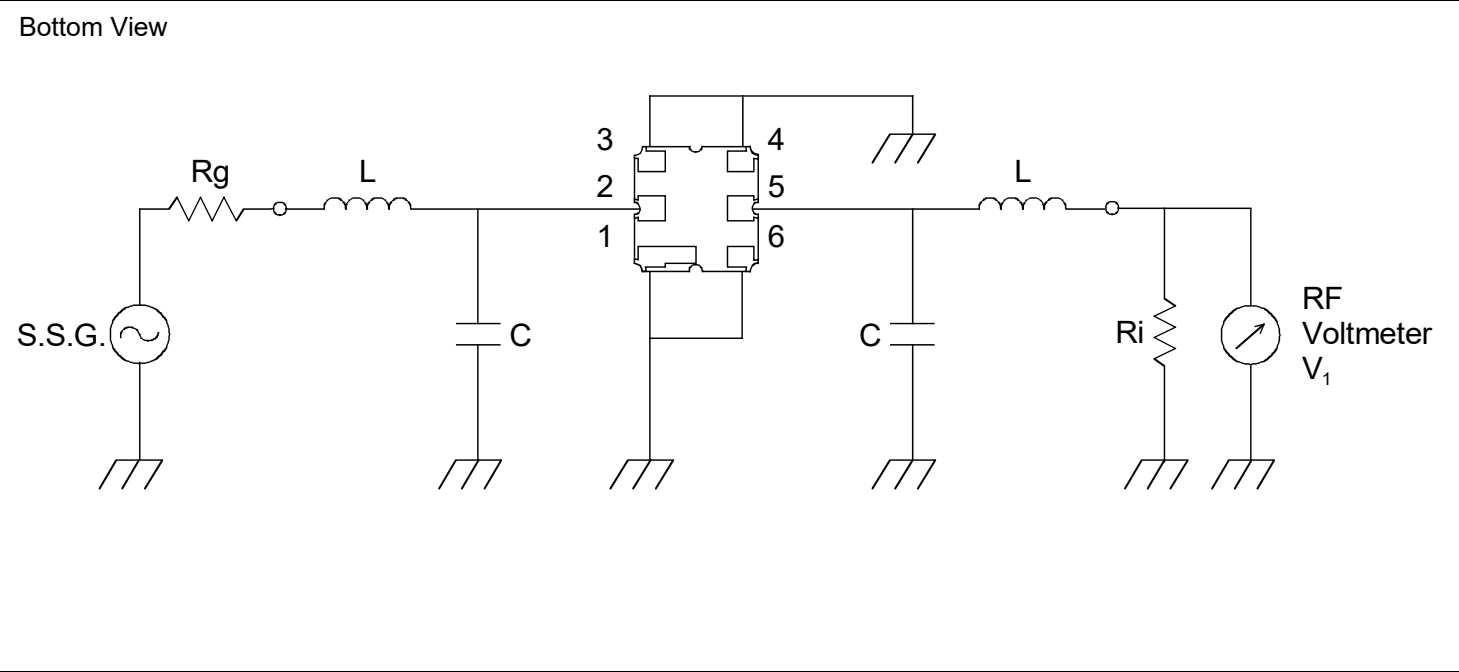
# SAW FILTER FOR RKE

RFMi part number :SAFBC433MPB0X00

## Recommended Land Pattern



## Test Circuit



# SAW FILTER FOR RKE

RFMi part number :SAFBC433MPB0X00

## RoHS Compliance

This component is compliant with RoHS directive.

This component was always RoHS compliant from the first date of manufacture.

### • Caution - Limitation of Applications

Please contact us before using our products for the applications listed below which require especially for the prevention of defects which might directly cause damage to the third party's life, body or property.

- a. Aircraft equipment
- b. Aerospace equipment
- c. Undersea equipment
- d. Nuclear control equipment
- e. Medical equipment
- f. Transportation equipment (vehicles, trains, ships, etc.)
- g. Traffic signal equipment
- h. Disaster prevention / crime prevention equipment
- i. Data - processing equipment
- j. Application of similar complexity and / or reliability requirements to the applications listed in the above
- k. Automotive Electronics & Automotive Equipment

• This PDF Datasheet is downloaded from the website of RFM Integrated Device, Inc. Therefore, it's specifications are subject to change or our products in it may be discontinued without advance notice. Please check with our sales representatives or product engineers before ordering.

• This PDF Datasheet has only typical specifications because there is no space for detailed specifications. Therefore, please approve our product specifications or transact the approval sheet for product specifications before ordering.

# SAW FILTER FOR RKE

RFMi part number :SAFBC433MPB0X00

## ■ Important notice

PLEASE READ THIS NOTICE BEFORE USING OUR PRODUCTS.

Please make sure that your product has been evaluated and confirmed from the aspect of the fitness for the specifications of our product when our product is mounted to your product.

All the items and parameters in this product specification/datasheet/catalog have been prescribed on the premise that our product is used for the purpose, under the condition and in the environment specified in this specification. You are requested not to use our product deviating from the condition and the environment specified in this specification. Please note that the only warranty that we provide regarding the products is its conformance to the specifications provided herein. Accordingly, we shall not be responsible for any defects in products or equipment incorporating such products, which are caused under the conditions other than those specified in this specification.

WE HEREBY DISCLAIMS ALL OTHER WARRANTIES REGARDING THE PRODUCTS, EXPRESS OR IMPLIED, INCLUDING WITHOUT LIMITATION ANY WARRANTY OF FITNESS FOR A PARTICULAR PURPOSE, THAT THEY ARE DEFECT-FREE, OR AGAINST INFRINGEMENT OF INTELLECTUAL PROPERTY RIGHTS.

The product shall not be used in any application listed below which requires especially high reliability for the prevention of such defect as may directly cause damage to the third party's life, body or property. You acknowledge and agree that, if you use our products in such applications, we will not be responsible for any failure to meet such requirements. Furthermore, YOU AGREE TO INDEMNIFY AND DEFEND US AND OUR AFFILIATES AGAINST ALL CLAIMS, DAMAGES, COSTS, AND EXPENSES THAT MAY BE INCURRED, INCLUDING WITHOUT LIMITATION, ATTORNEY FEES AND COSTS, DUE TO THE USE OF OUR PRODUCTS IN SUCH APPLICATIONS.

- Aircraft equipment.
- Aerospace equipment
- Undersea equipment.
- Power plant control equipment - Medical equipment.
- Transportation equipment (vehicles, trains, ships, elevator, etc.).
- Traffic signal equipment.
- Disaster prevention / crime prevention equipment.
- Burning / explosion control equipment
- Application of similar complexity and/ or reliability requirements to the applications listed in the above.

We expressly prohibit you from analyzing, breaking, Reverse-Engineering, remodeling altering, and reproducing our product. Our product cannot be used for the product which is prohibited from being manufactured, used, and sold by the regulations and laws in the world.

We do not warrant or represent that any license, either express or implied, is granted under any our patent right, copyright, mask work right, or our other intellectual property right relating to any combination, machine, or process in which our products or services are used. Information provided by us regarding third-party products or services does not constitute a license from us to use such products or services or a warranty or endorsement thereof. Use of such information may require a license from a third party under the patents or other intellectual property of the third party, or a license from us under our patents or other intellectual property.

Please do not use our products, our technical information and other data provided by us for the purpose of developing of mass-destruction weapons and the purpose of military use.

Moreover, you must comply with "foreign exchange and foreign trade law", the "U.S. export administration regulations", etc.

Please note that we may discontinue the manufacture of our products, due to reasons such as end of supply of materials and/or components from our suppliers.



# **SAW FILTER FOR RKE**

## **RFMi part number :SAFBC433MPB0X00**

Customer acknowledges that RFMi will, if requested by you, conduct a failure analysis for defect or alleged defect of Products only at the level required for consumer grade Products, and thus such analysis may not always be available or be in accordance with your request (for example, in cases where the defect was caused by components in Products supplied to RFMi from a third party).

The product shall not be used in any other application/model than that of claimed to RFMi.

Customer acknowledges that engineering samples may deviate from specifications and may contain defects due to their development status.

We reject any liability or product warranty for engineering samples.

In particular we disclaim liability for damages caused by

- the use of the engineering sample other than for evaluation purposes, particularly the installation or integration in the product to be sold by you,
- deviation or lapse in function of engineering sample,
- improper use of engineering samples.

We disclaims any liability for consequential and incidental damages.

If you can't agree the above contents, you should inquire our sales.