



RFM Integrated Device, Inc.

PRODUCT SPECIFICATION

Part Number: SF2316L

Description:
FILTER, 1588.655 MHz, BW
34.47 MHz, IL 2.5 dB

Preliminary



A. MAXIMUM RATING:

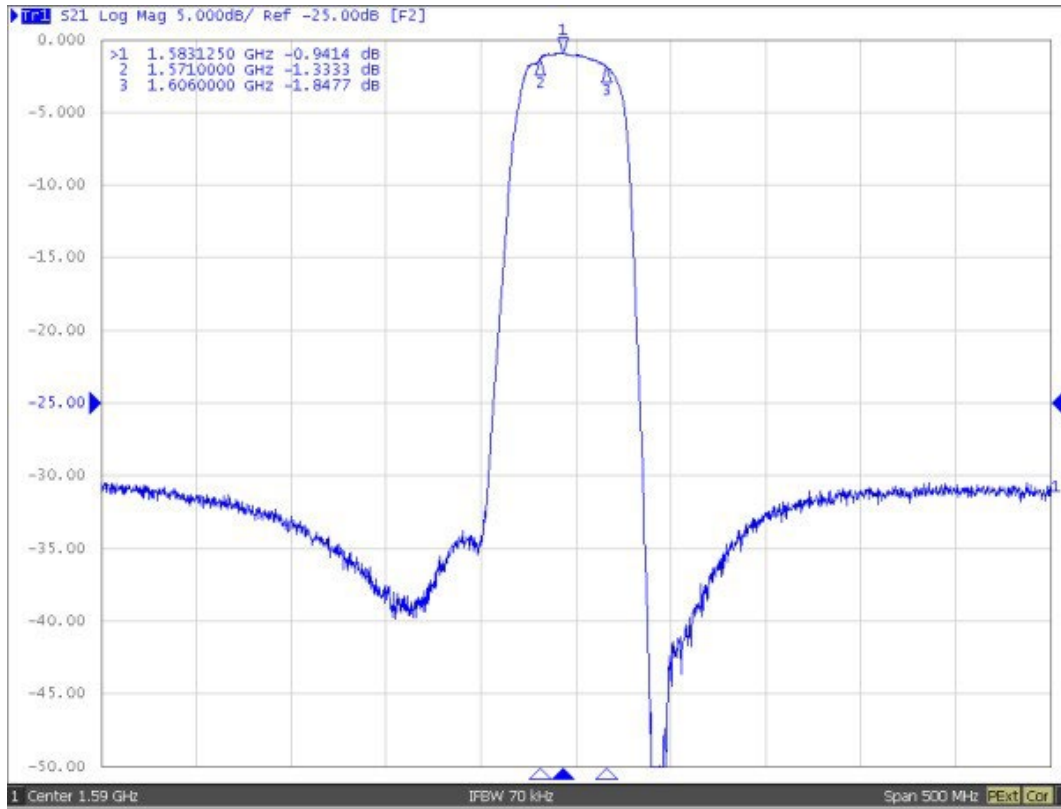
- Input Power Level: 10 dBm
- DC Voltage : 3V
- Operating Temperature: -30°C to +85°C
- Storage Temperature: -40°C to +85°C
- Moisture Sensitivity Level: 3

B. ELECTRICAL CHARACTERISTICS:

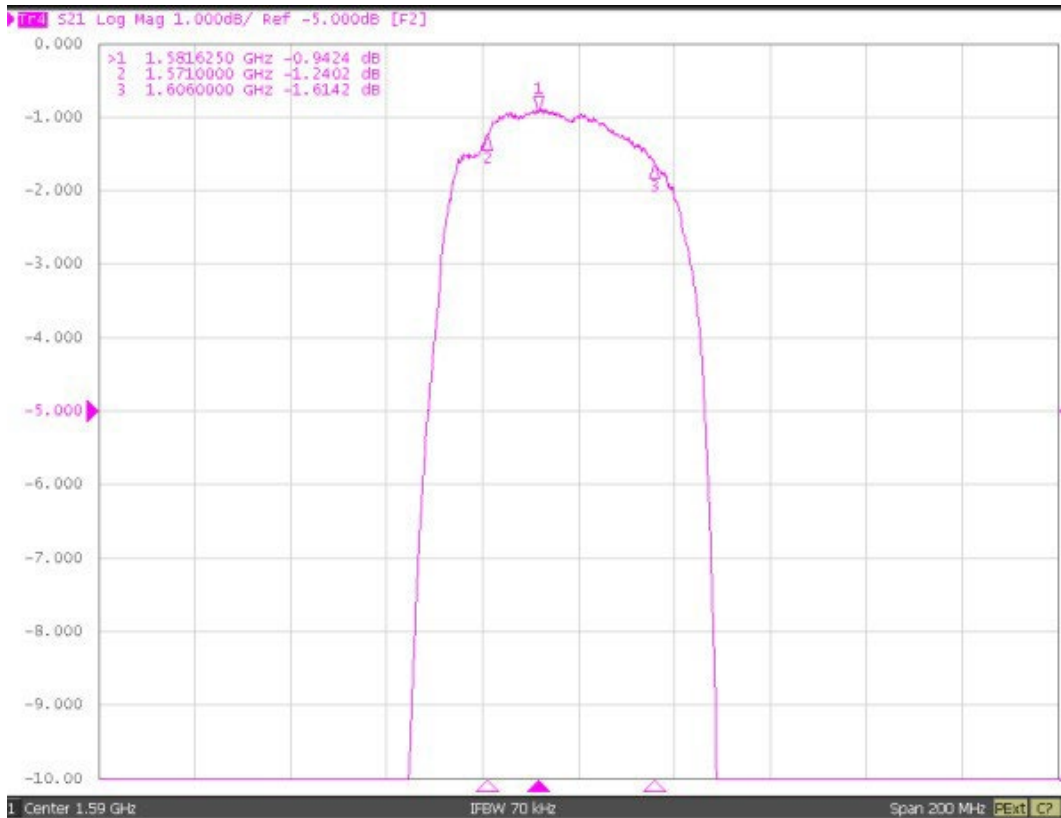
Item	Unit	Min.	Type.	Max.	Note
Center Frequency Fc	MHz	-	1588.655	-	-
Insertion Loss (1573.42~1577.42MHz) IL	dB	-	1.25	1.7	-
Insertion Loss (1571.42~1605.89 MHz) IL		-	1.7	2.5	-
VSWR (1573.42~1577.42 MHz)		-	1.2	2	
VSWR (1571.42~1605.89 MHz)		-	1.6	2	
Amplitude ripple (1573.42~1577.42MHz)	dB	-	0.25	0.8	-
Amplitude ripple (1571.42~1605.89 MHz)	dB	-	0.7	1.5	
Attenuation					-
DC ~ 824 MHz	dB	30	32	-	
824 ~ 849 MHz	dB	30	32	-	-
849 ~ 880 MHz	dB	30	32	-	-
880 ~ 915 MHz	dB	30	32	-	-
915 ~ 1452 MHz	dB	28	30	-	
1452 ~ 1525 MHz	dB	32	35	-	-
1525 ~ 1536 MHz	dB	30	35	-	-
1626 ~ 1636 MHz	dB	30	35	-	-
1710 ~ 1785 MHz	dB	30	32	-	-
1785 ~ 1850 MHz	dB	30	32	-	-
1850 ~ 6000 MHz	dB	25	30	-	-
Package size	mm	SMD 1.1x0.9			

C.FREQUENCY CHARACTERISTICS:

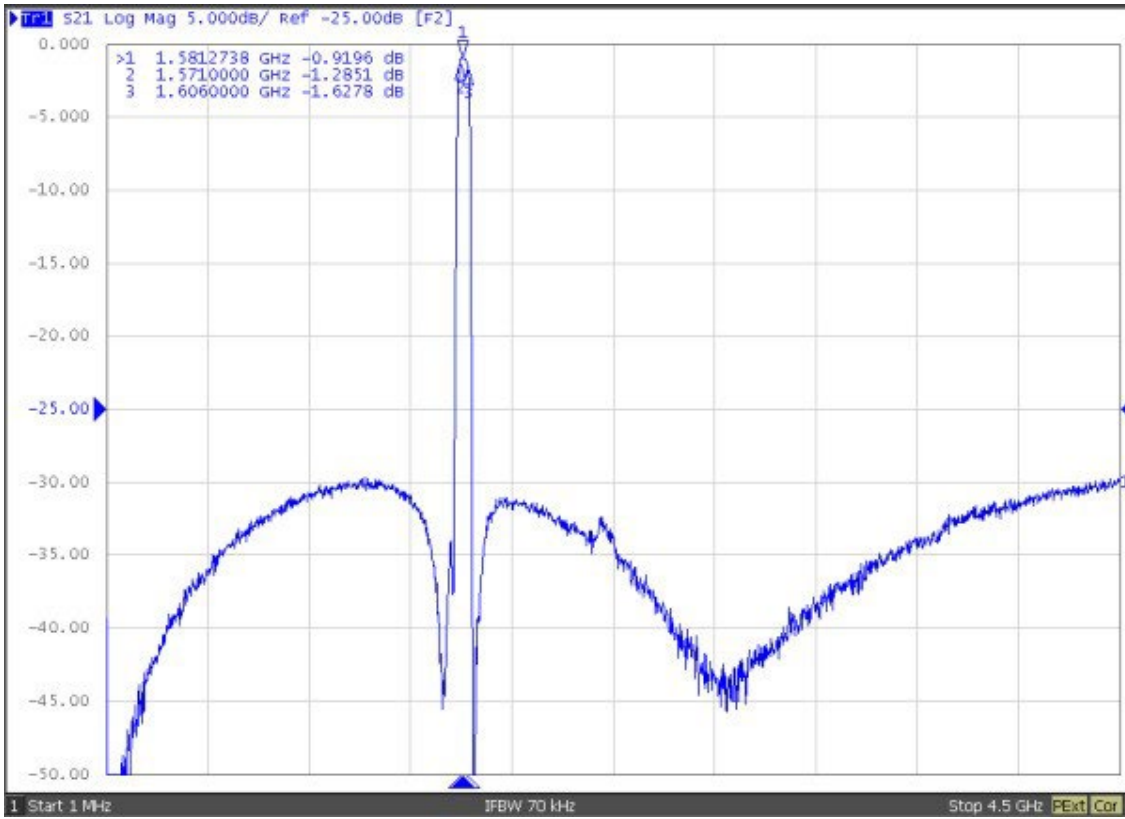
S21 response: (span 500MHz)



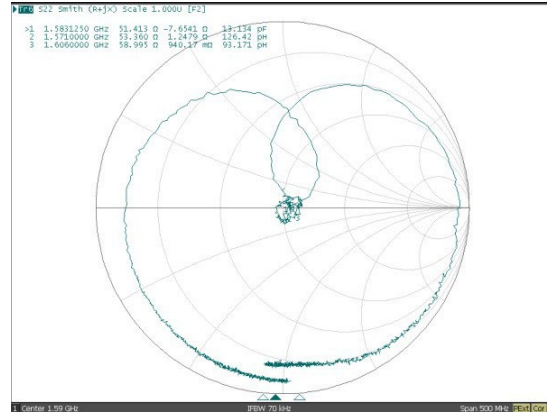
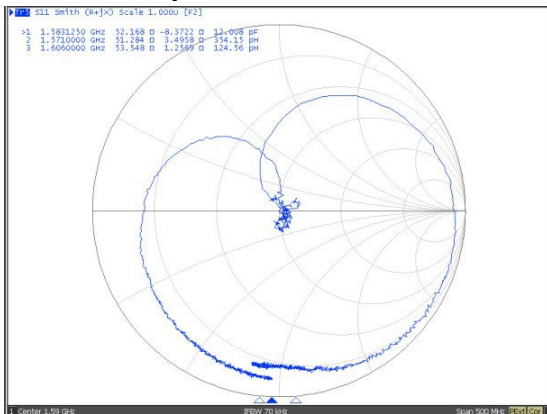
S21 response: (span 200MHz)



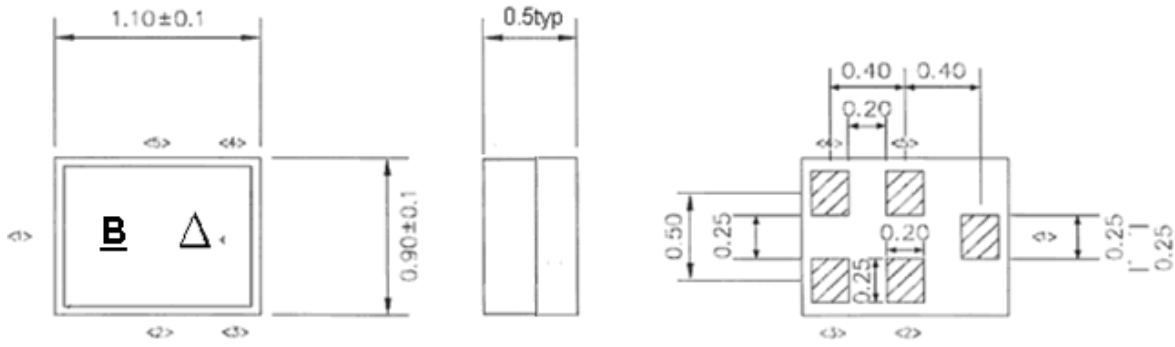
S21 response: (span 4.5GHz)



S11/S22 response:



D. OUTLINE DRAWING:



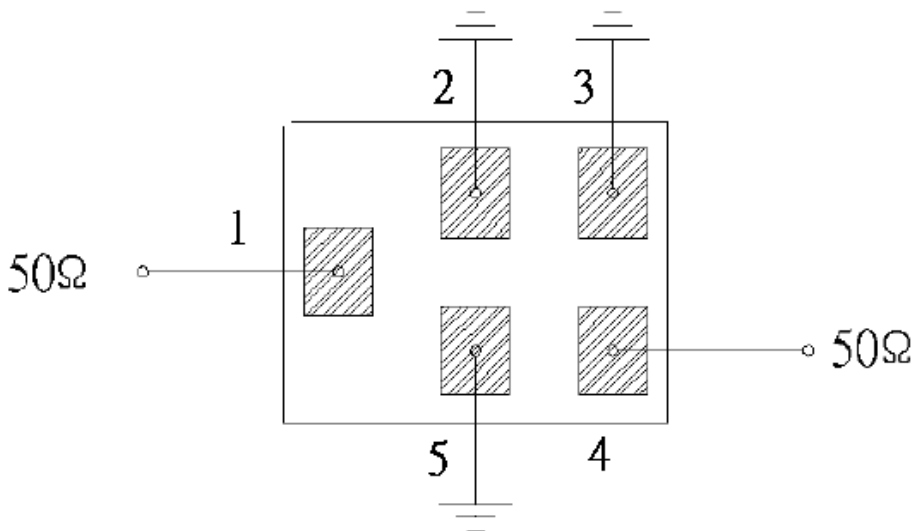
Unit: mm

Pin No.	Symbol	Function
1	IN	Unbalanced pin
2	GND	Ground
3	GND	Ground
4	OUT	Unbalanced pin
5	GND	Ground

Δ : Year/Month Code (Follow the table)

YEAR/Month	1	2	3	4	5	6	7	8	9	10	11	12
2013	A	B	C	D	E	F	G	H	J	K	L	M
2014	N	P	Q	R	S	T	U	V	W	X	Y	Z
2015	a	b	c	d	e	f	g	h	j	k	l	m
2016	n	p	q	r	s	t	u	v	w	x	y	z
2017	<u>A</u>	<u>B</u>	<u>C</u>	<u>D</u>	<u>E</u>	<u>F</u>	<u>G</u>	<u>H</u>	<u>J</u>	<u>K</u>	<u>L</u>	<u>M</u>
2018	<u>N</u>	<u>P</u>	<u>Q</u>	<u>R</u>	<u>S</u>	<u>T</u>	<u>U</u>	<u>V</u>	<u>W</u>	<u>X</u>	<u>Y</u>	<u>Z</u>
2019	<u>a</u>	<u>b</u>	<u>c</u>	<u>d</u>	<u>e</u>	<u>f</u>	<u>g</u>	<u>h</u>	<u>j</u>	<u>k</u>	<u>l</u>	<u>m</u>
2020	<u>n</u>	<u>p</u>	<u>q</u>	<u>r</u>	<u>s</u>	<u>t</u>	<u>u</u>	<u>v</u>	<u>w</u>	<u>x</u>	<u>y</u>	<u>z</u>

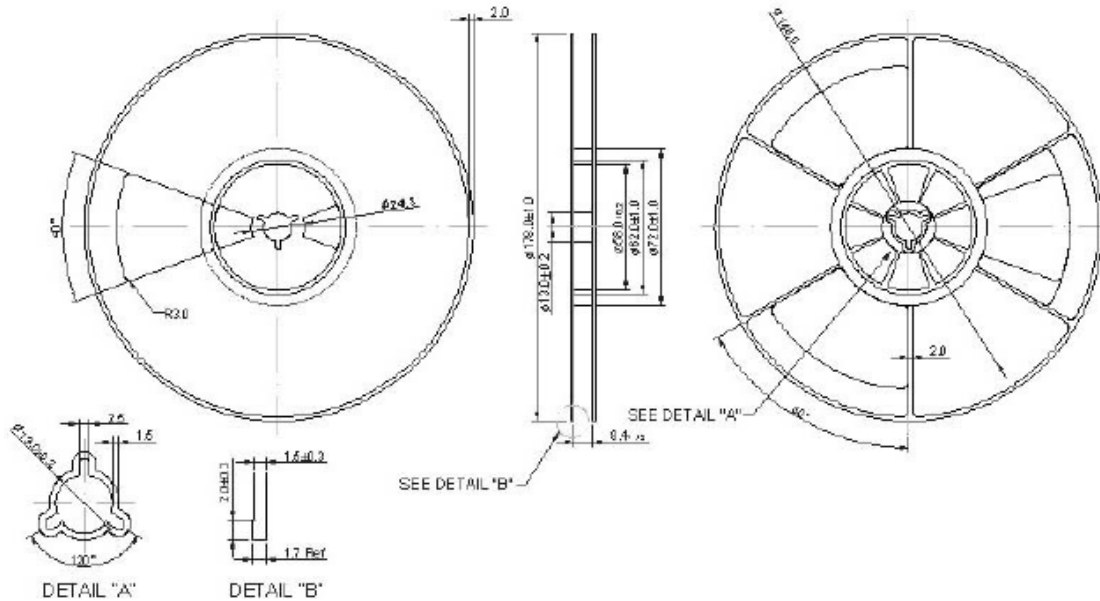
E. MEASUREMENT CIRCUIT:



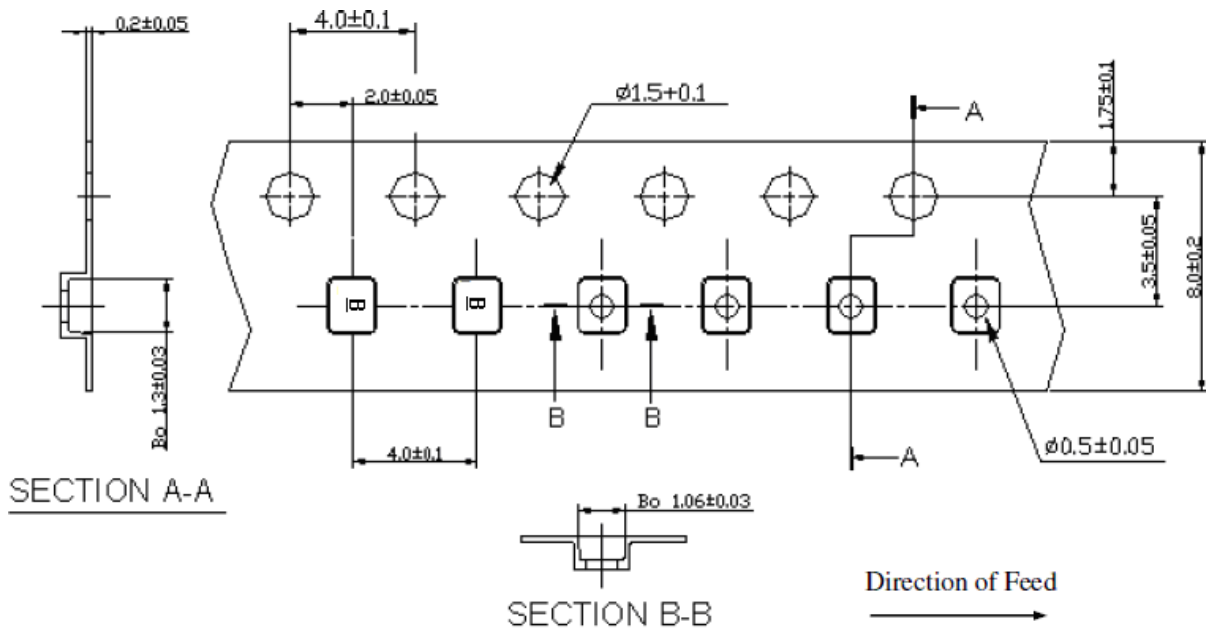
F. PACKING:

1. REEL DIMENSION

Reel Count: 7" = 5000



2. TAPE DIMENSION



G. RECOMMENDED REFLOW PROFILE :

1. Preheating shall be fixed at 150~180°C for 60~90 seconds.
2. Ascending time to preheating temperature 150°C shall be 30 seconds min.
3. Heating shall be fixed at 220°C for 50~80 seconds and at 260°C+0/-5°C peak (20~40sec).
4. Time: 2 times.

