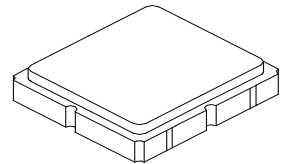


SF2335E-2

**243.95 MHz
SAW Filter**



SM3030-6

MAXIMUM RATING:

- Maximum Input Power: 5 dBm
- Maximum DC Voltage: 3 V
- Operating Temperature: -20 °C to +85 °C
- Storage Temperature: -40 °C to +85 °C
- Moisture Sensitivity Level: Level 1 (MSL 1)

ELECTRICAL CHARACTERISTICS:

Parameters Description	Unit	Min.	Typ.	Max.
Center Frequency Fc	MHz	-	243.95	-
3 dB Bandwidth BW	MHz	0.26	0.5	-
Insertion Loss at Fo IL	dB	-	3.7	4.5
Amplitude Ripple (Fo±0.1 MHz) *	dB	-	0.8	1.2
Group Delay Ripple (Fo±0.1 MHz) *	µsec	-	0.3	1.2
Attenuation (Reference level from 0 dB)				
Fo±0.6 MHz *	dB	25	30	-
Fo±10.7 MHz *	dB	40	62	-
Fo±21.4 MHz *	dB	60	63	-

* Fo is fixed frequency defined on 243.95 MHz

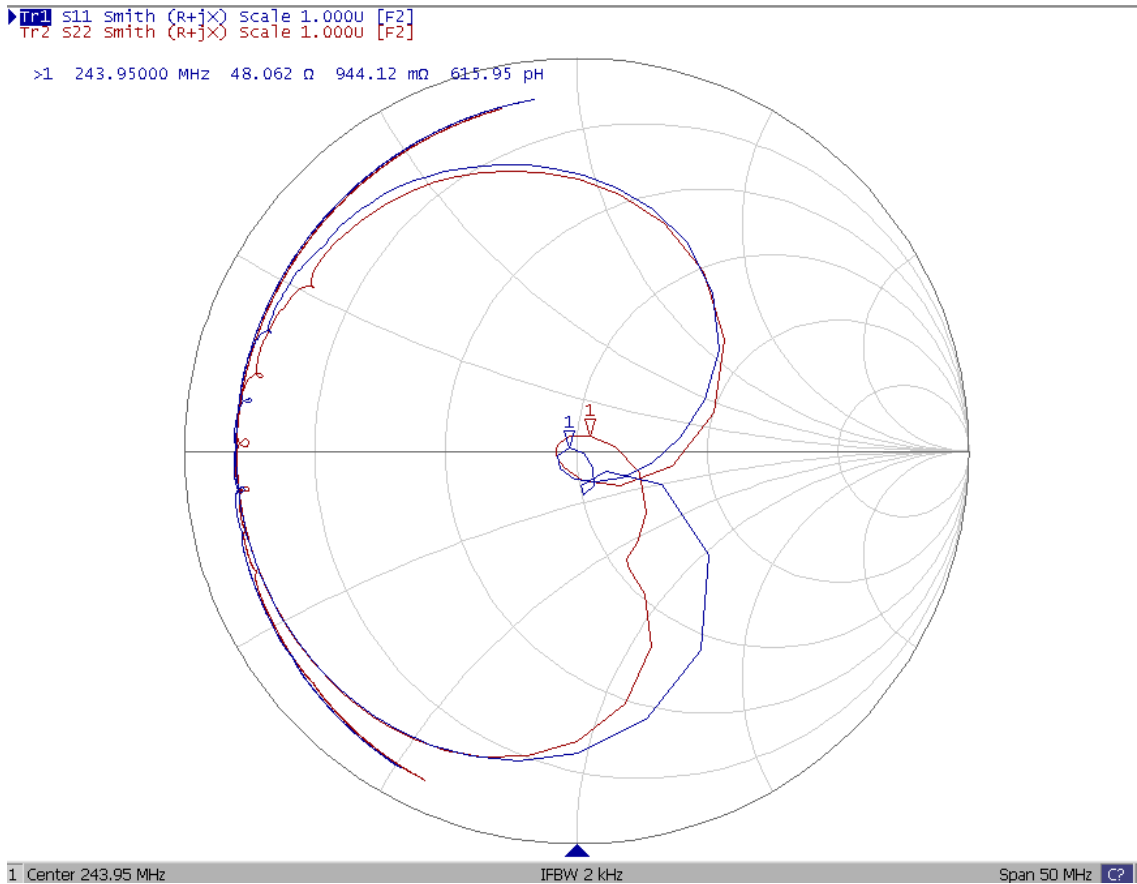
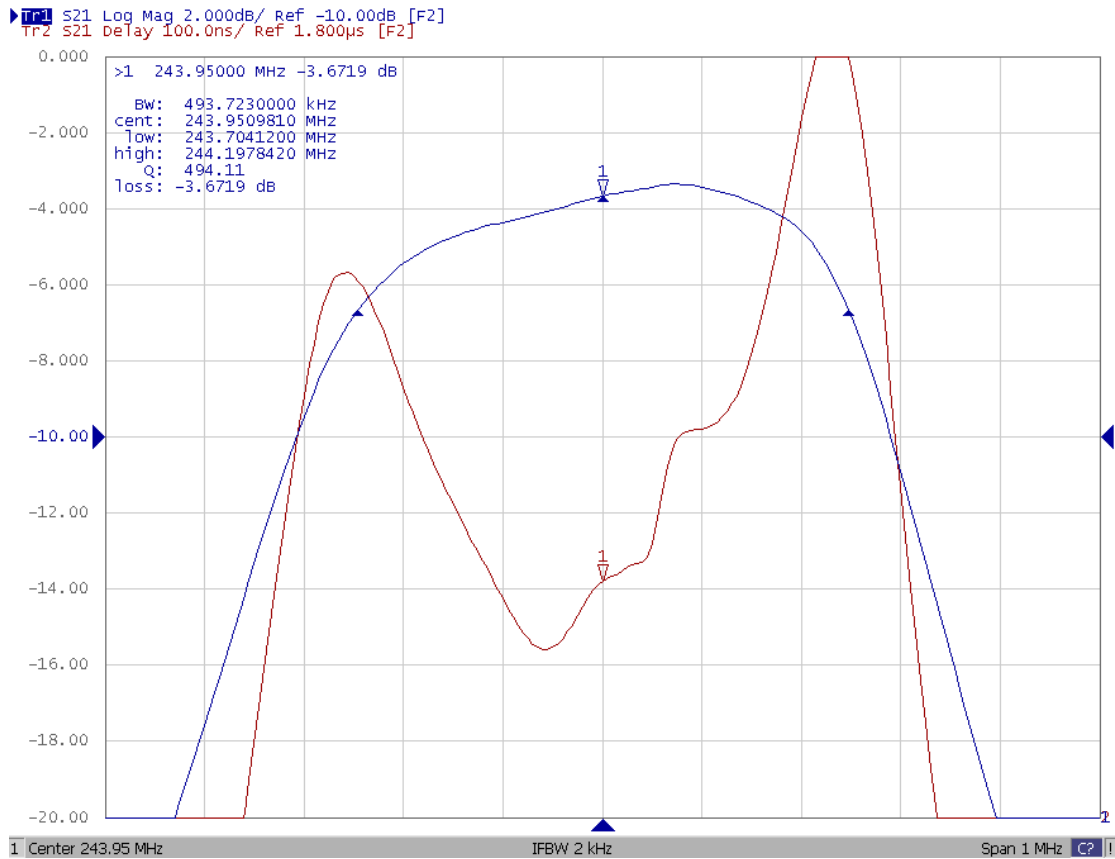


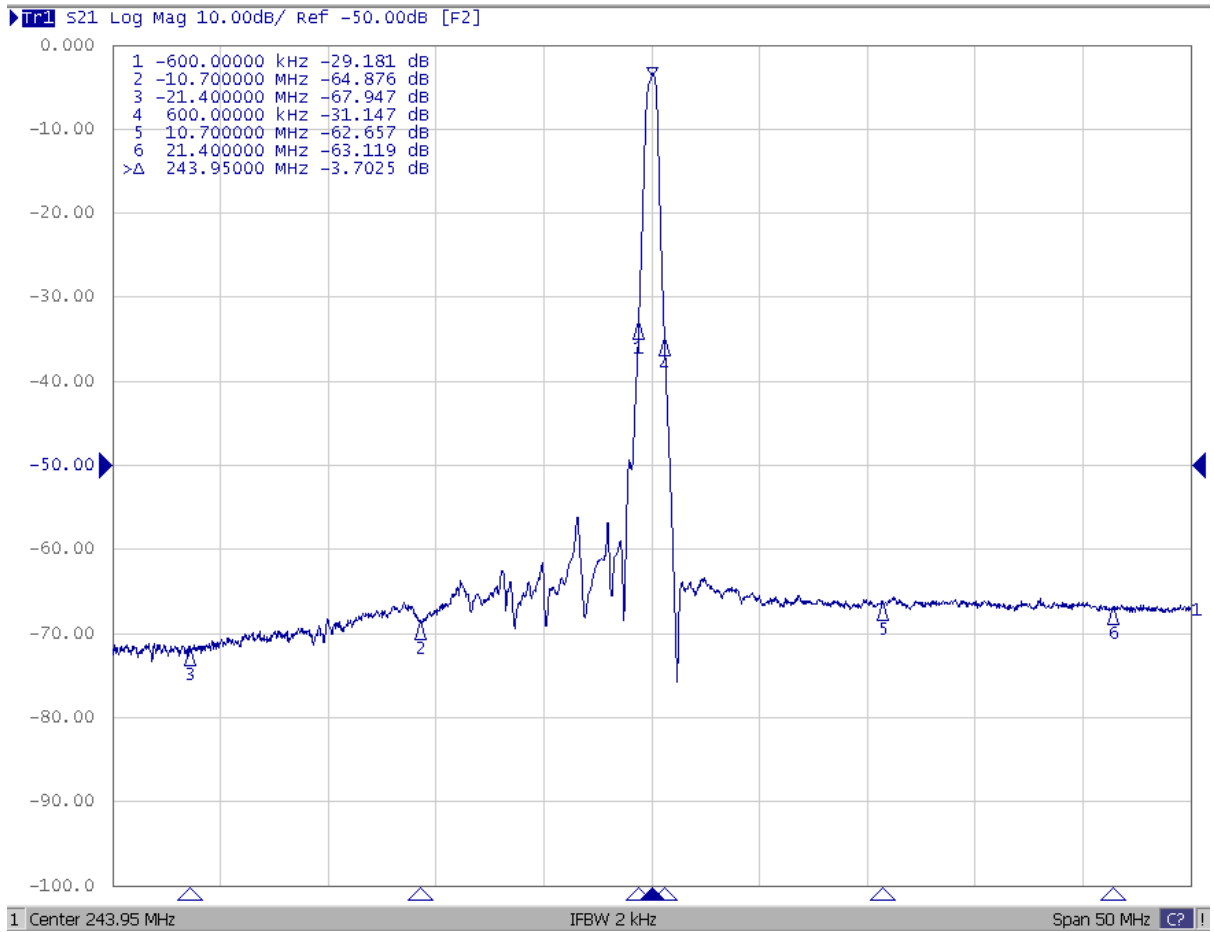
CAUTION: Electrostatic Sensitive Device. Observe precautions for handling.

NOTES:

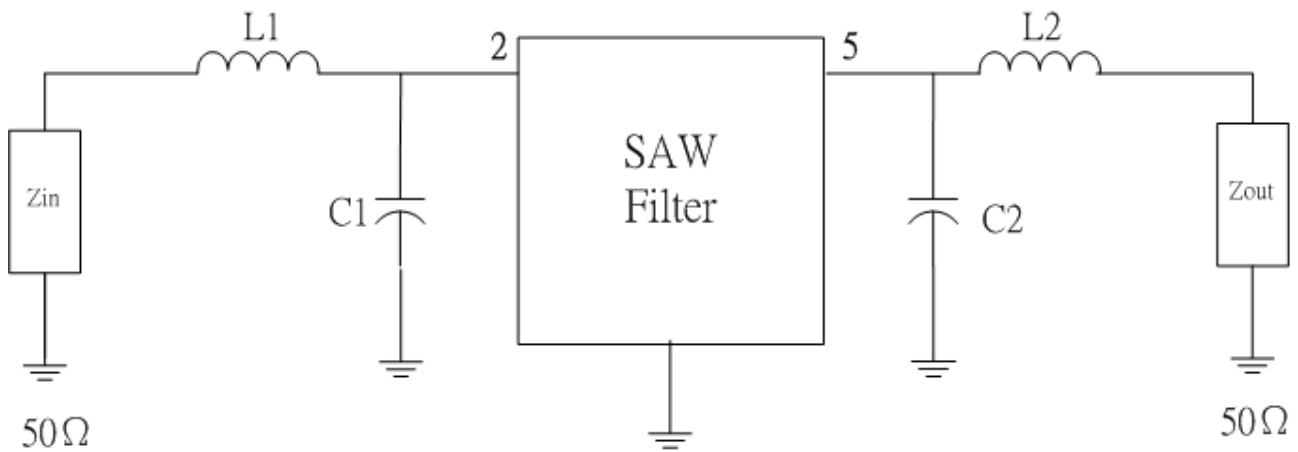
1. The design, manufacturing process, and specifications of this device are subject to change.
2. US or International patents may apply.
3. RoHS compliant from the first date of manufacture.

FREQUENCY CHARACTERISTIC:



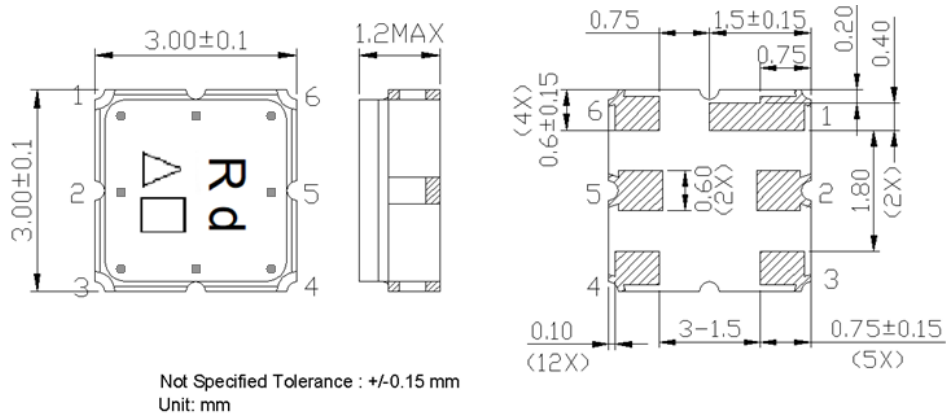


MEASUREMENT CIRCUIT:



L1=L2=110nH C1=C2=1.5pF

OUTLINE DRAWING:



#2: Input

#5: Output

Others: Ground

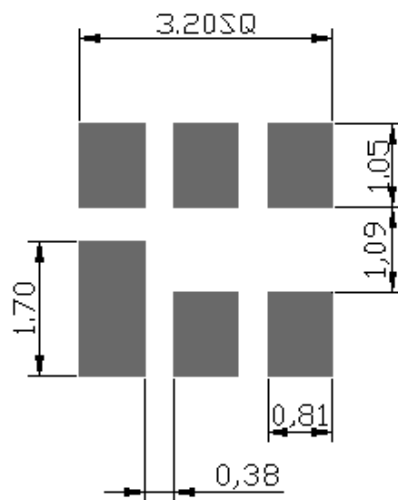
□: Week Code

△: Product / Year Code: 1 for 2021, 2 for 2022...0 for 2030

Week Code Table

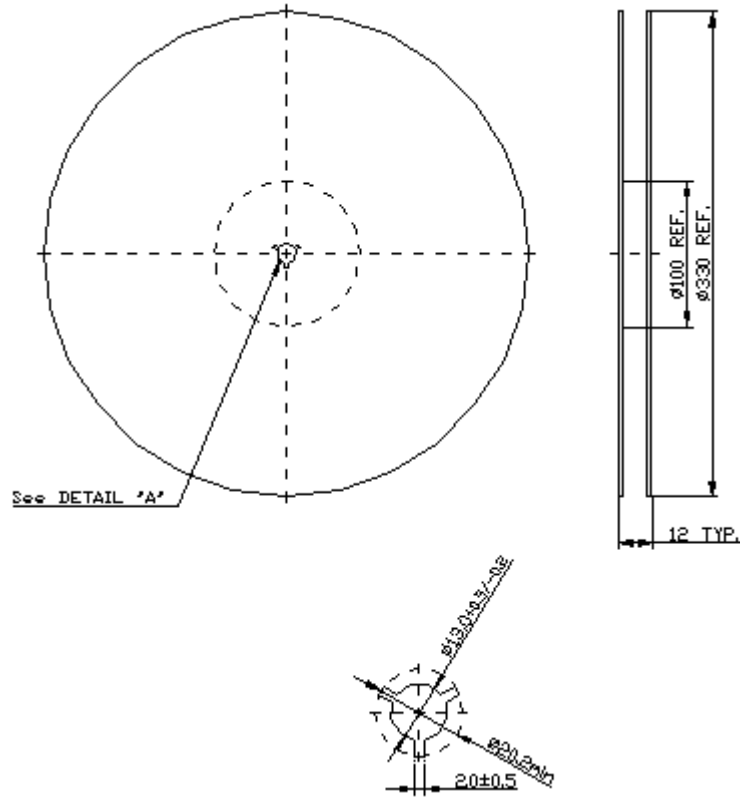
WK01	WK02	WK03	WK04	WK05	WK06	WK07	WK08	WK09	WK10	WK11	WK12	WK13
A	B	C	D	E	F	G	H	I	J	K	L	M
WK14	WK15	WK16	WK17	WK18	WK19	WK20	WK21	WK22	WK23	WK24	WK25	WK26
N	O	P	Q	R	S	T	U	V	W	X	Y	Z
WK27	WK28	WK29	WK30	WK31	WK32	WK33	WK34	WK35	WK36	WK37	WK38	WK39
a	b	c	d	e	f	g	h	i	j	k	l	m
WK40	WK41	WK42	WK43	WK44	WK45	WK46	WK47	WK48	WK49	WK50	WK51	WK52
n	o	p	q	r	s	t	u	v	w	x	y	z

PCB FOOTPRINT:

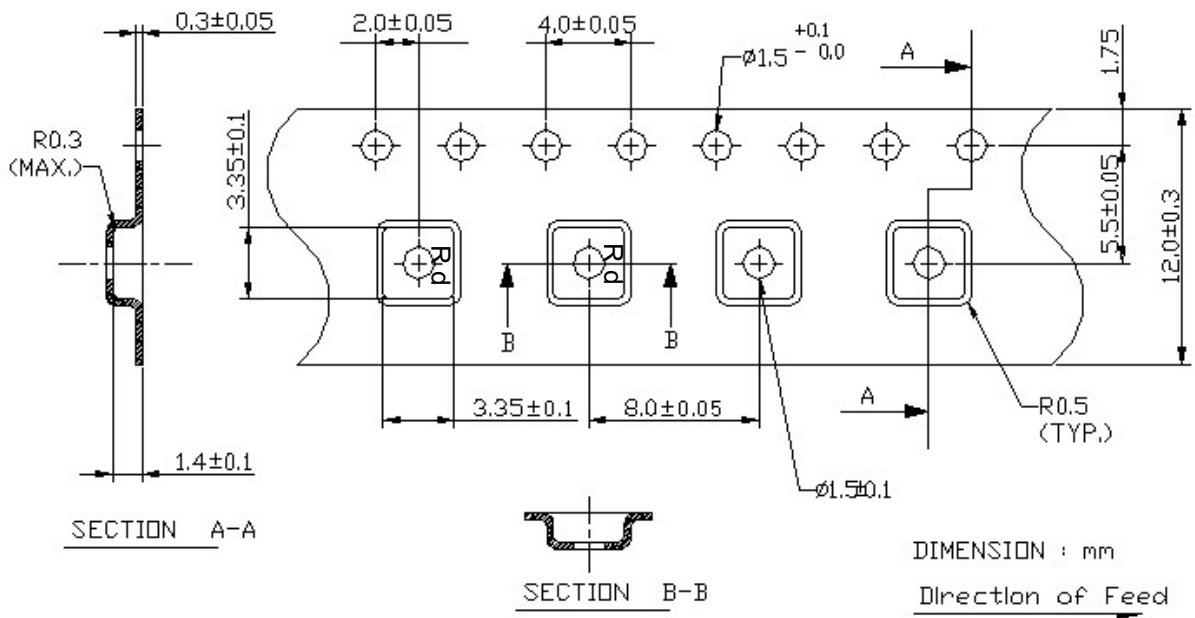


PACKING:

7" Reel = 500
 13" Reel = 3000



2. TAPE DIMENSION



RECOMMENDED REFLOW PROFILE:

- 1. Preheating shall be fixed at 150~180°C for 60~90 seconds.
- 2. Ascending time to preheating temperature 150°C shall be 30 seconds min.
- 3. Heating shall be fixed at 220°C for 50~80 seconds and at 260°C+0/-5°C peak (20~40sec).
- 4. Time: 2 times.

