



RFM Integrated Device, Inc.

## PRODUCT SPECIFICATION

Part Number: SF2399E-1

Description:  
FILTER, 1900.000 MHz, BW  
80.0 MHz, IL 7.0 dB

**Preliminary**

**A. MAXIMUM RATING:**

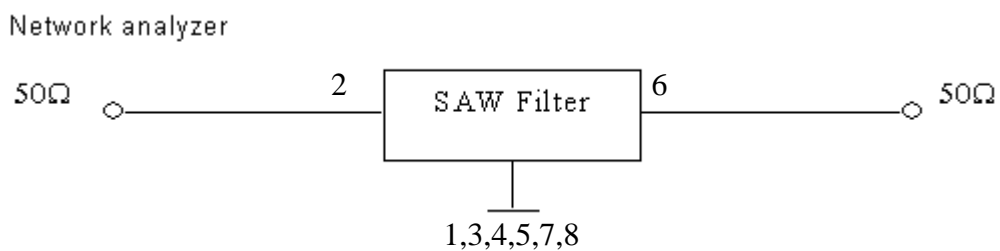
1. Input Power Level: 15 dBm
2. DC Voltage : 3V
3. Operating Temperature: 25°C
4. Storage Temperature: -20°C to +85°C



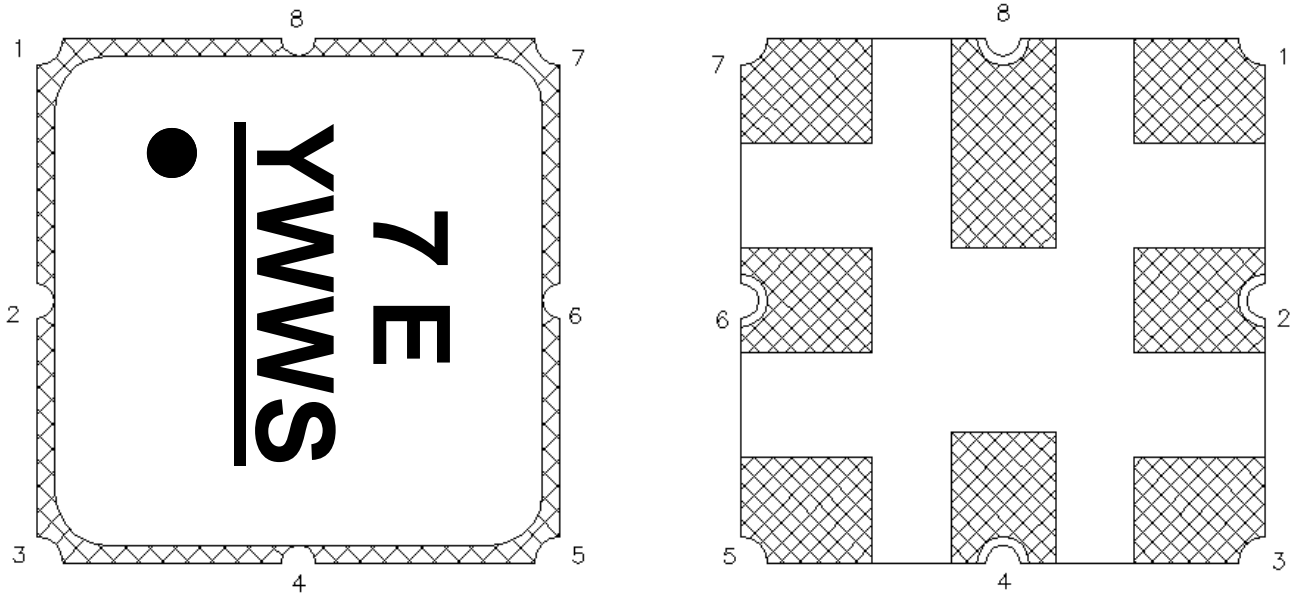
**B. ELECTRICAL CHARACTERISTICS:**

Item	Unit	Min	Typical	Max
Center Frequency Fc	MHz		1900	
Insertion Loss (1860~1940 MHz)	dB	--		4.5
Bandwidth(1dB)	MHz	80		--
Amplitude Ripple (1860~1940 MHz)	dB	--		2.5
Attenuation (Reference level from fc, dB)				
10 ~ 1770 MHz	dB	33		--
1770 ~ 1810 MHz	dB	30		--
1810 ~ 1820 MHz	dB	28		--
1980 ~ 2500 MHz	dB	32		--
2500 ~ 3500 MHz	dB	23		--
3500 ~ 4500 MHz	dB	18		--
Input / Output Impedance	Ω	50		

**C. Measurement Circuit:**

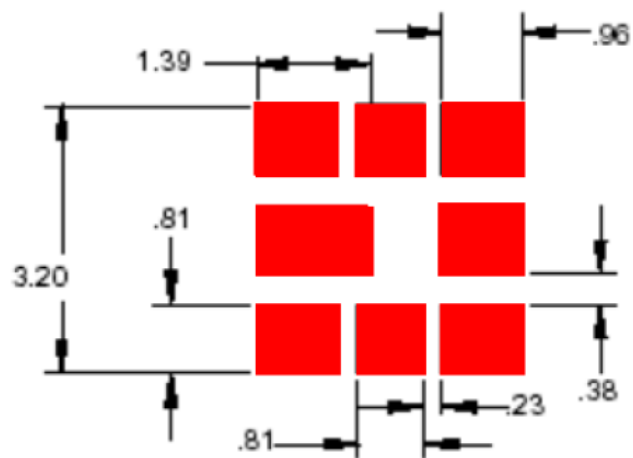


**D.Outline Drawing:**

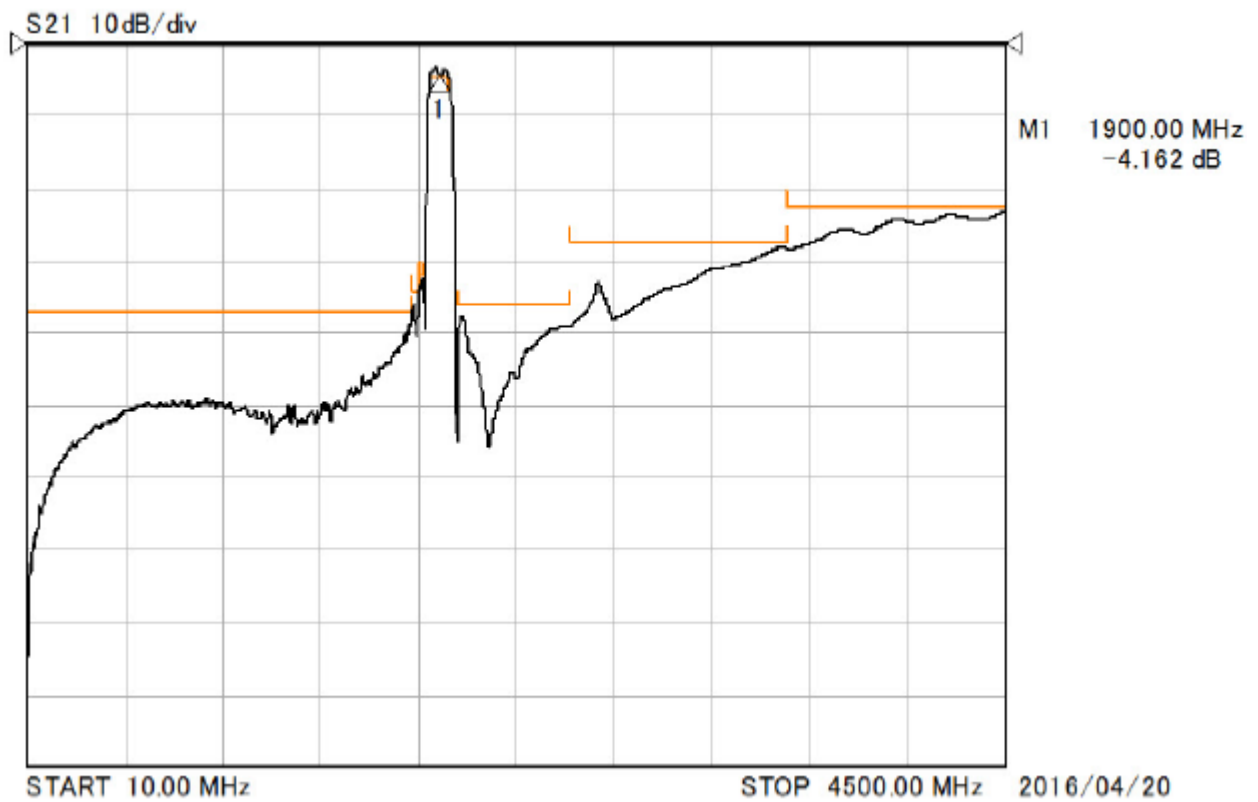
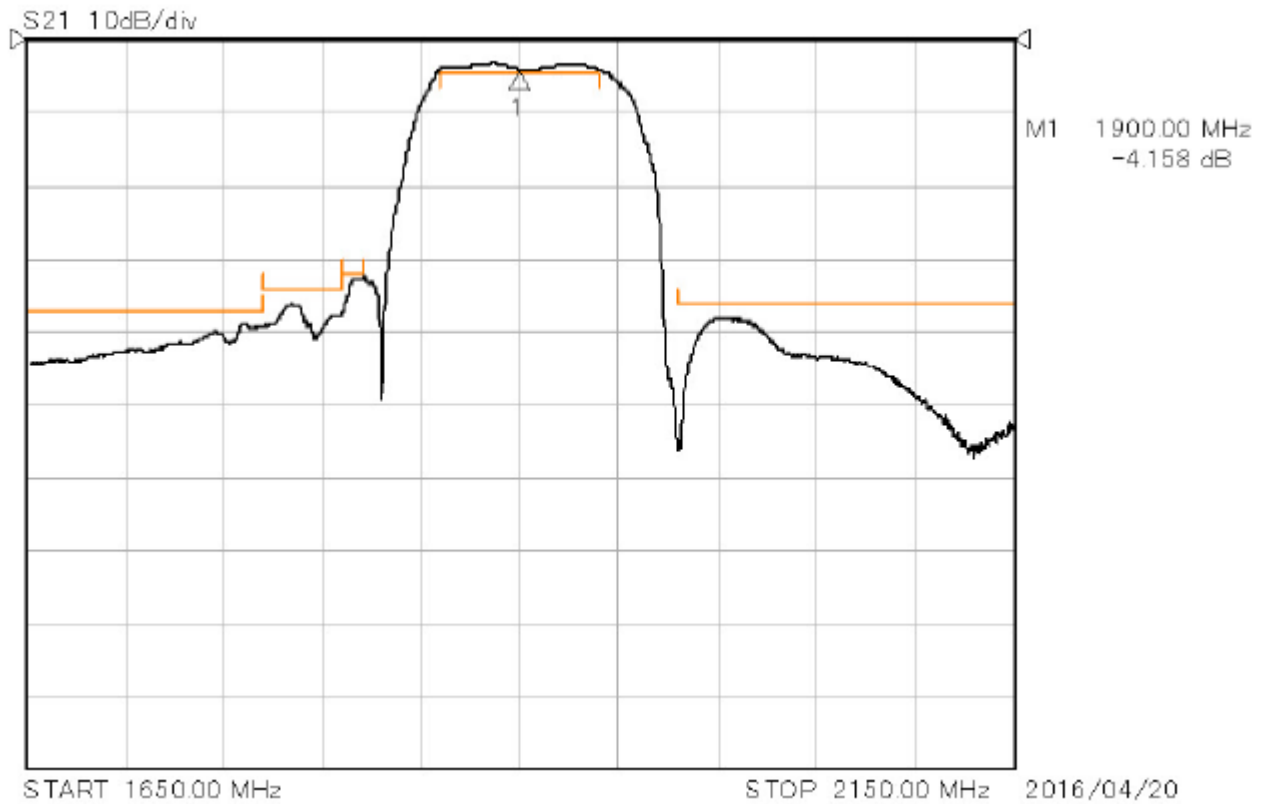


Y = Year, WW = Week, S = Shift

**E. PCB Footprint:**



## F. Frequency Characteristics :



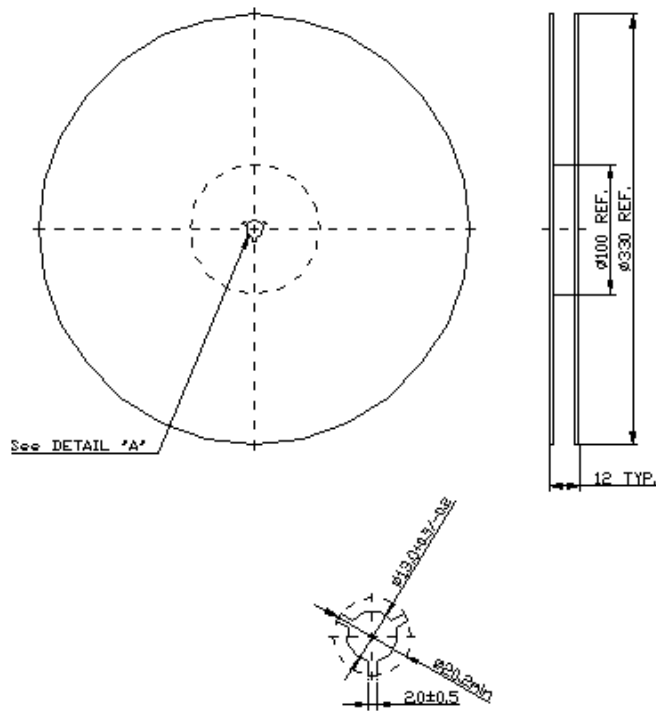
**G. Packing:**

**1. REEL DIMENSION**

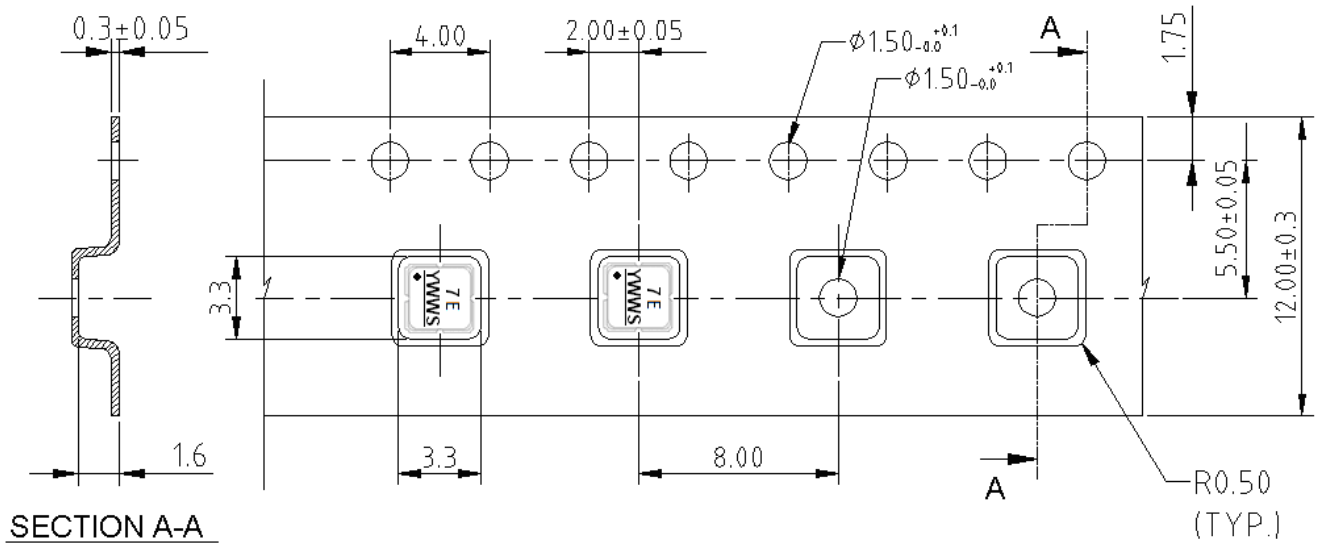
Reel Count:

7" = 500

13" = 3000



**2. TAPE DIMENSION**



### H. Recommended Reflow Profile:

1. Preheating shall be fixed at 150~180°C for 60~90 seconds.
2. Ascending time to preheating temperature 150°C shall be 30 seconds min.
3. Heating shall be fixed at 220°C for 50~80 seconds and at 260°C +0/-5°C peak (20~40sec).
4. Time: 2 times.

