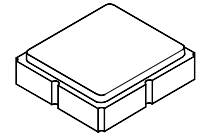


**SF2404E-1**

**2030 MHz  
SAW Filter**



SM3030-8

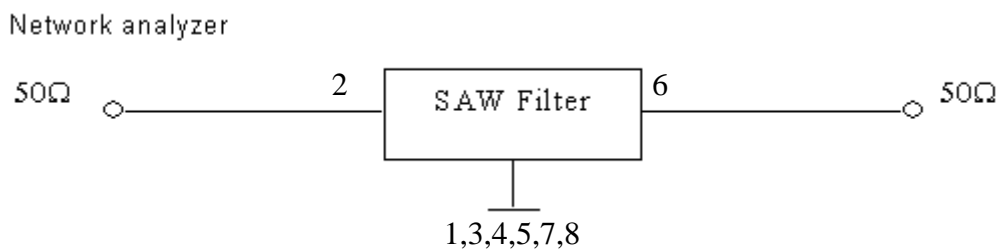
**MAXIMUM RATING:**

- Input Power Level: 15 dBm
- DC Voltage : 3V
- Operating Temperature: 25°C
- Storage Temperature: -20°C to +85°C
- Moisture Sensitivity Level: 1

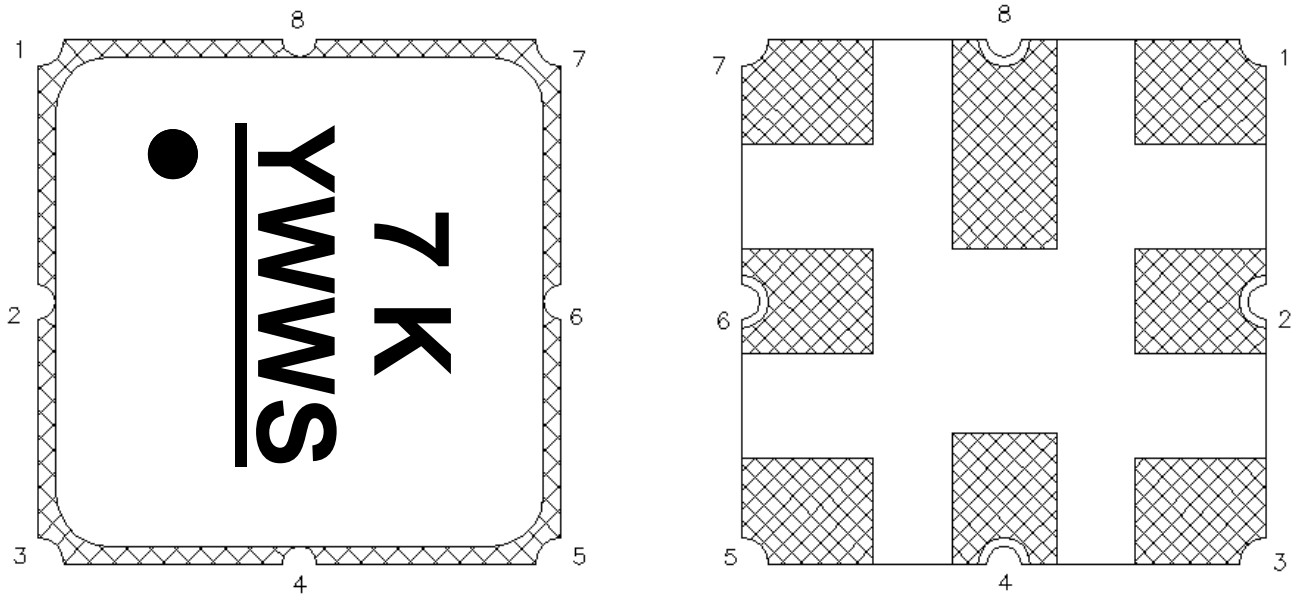
**ELECTRICAL CHARACTERISTICS:**

Item	Unit	Min	Typical	Max
Center Frequency Fc	MHz		2030	
Insertion Loss (1990~2070 MHz)	dB	--		4.4
Bandwidth(2dB)	MHz	80		--
Amplitude Ripple (1990~2070 MHz)	dB	--		1.8
<b>Attenuation (Reference level from fc, dB)</b>				
10 ~ 1650 MHz	dB	35		--
1650 ~ 1950 MHz	dB	17		--
2110 ~ 2400 MHz	dB	35		--
2400 ~ 3700 MHz	dB	17		--
3700 ~ 4500 MHz	dB	15		--
Input / Output Impedance	Ω	50		

**Measurement Circuit:**

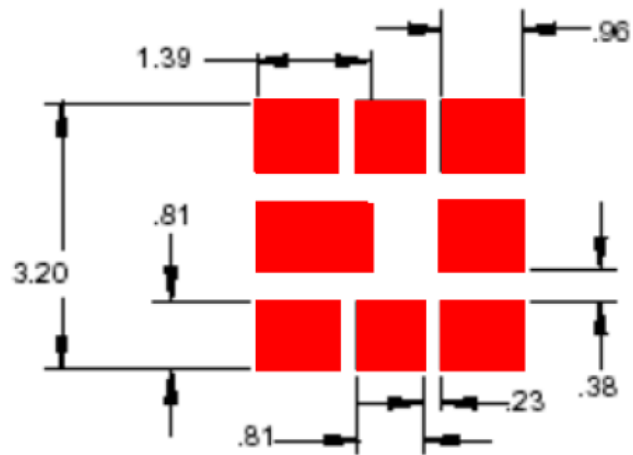


**Outline Drawing:**

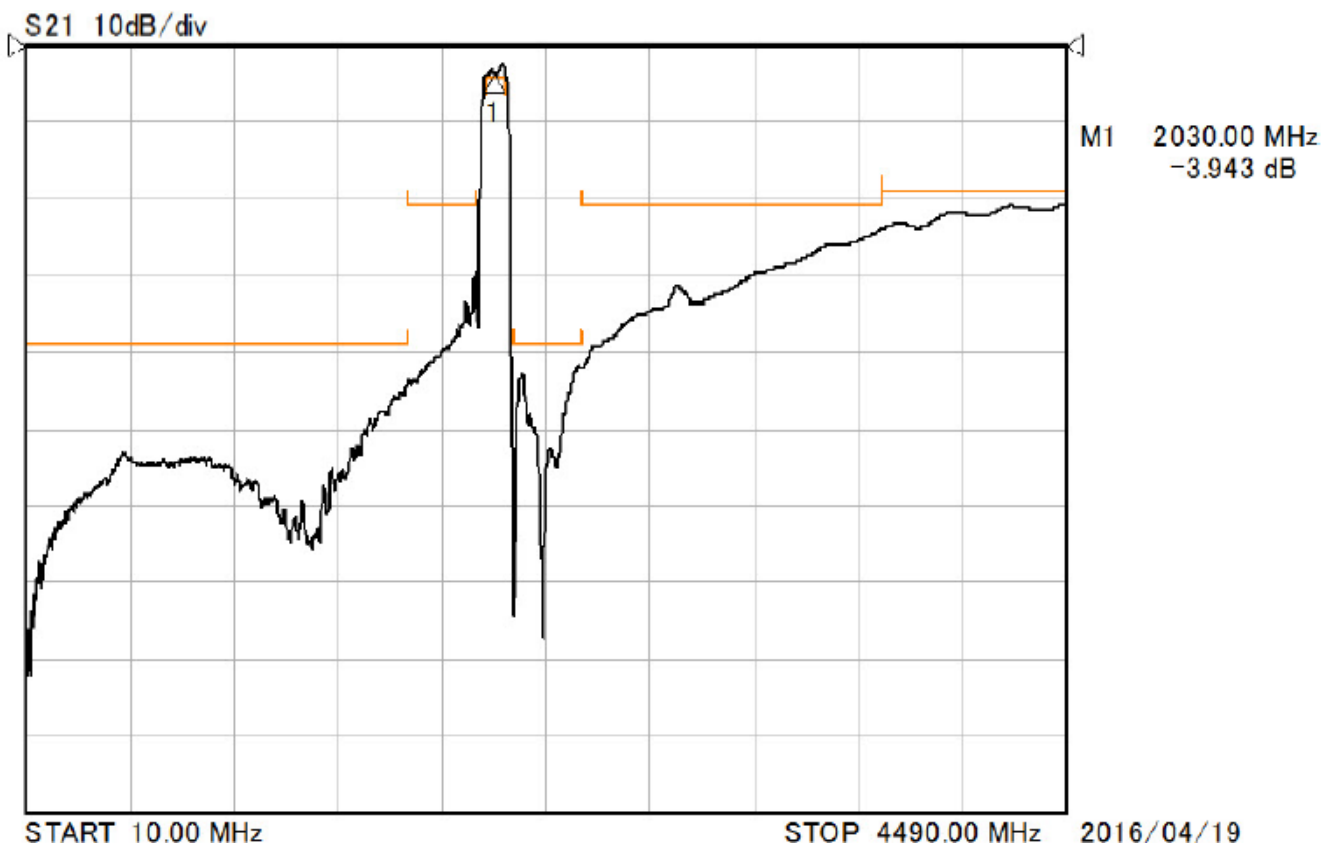
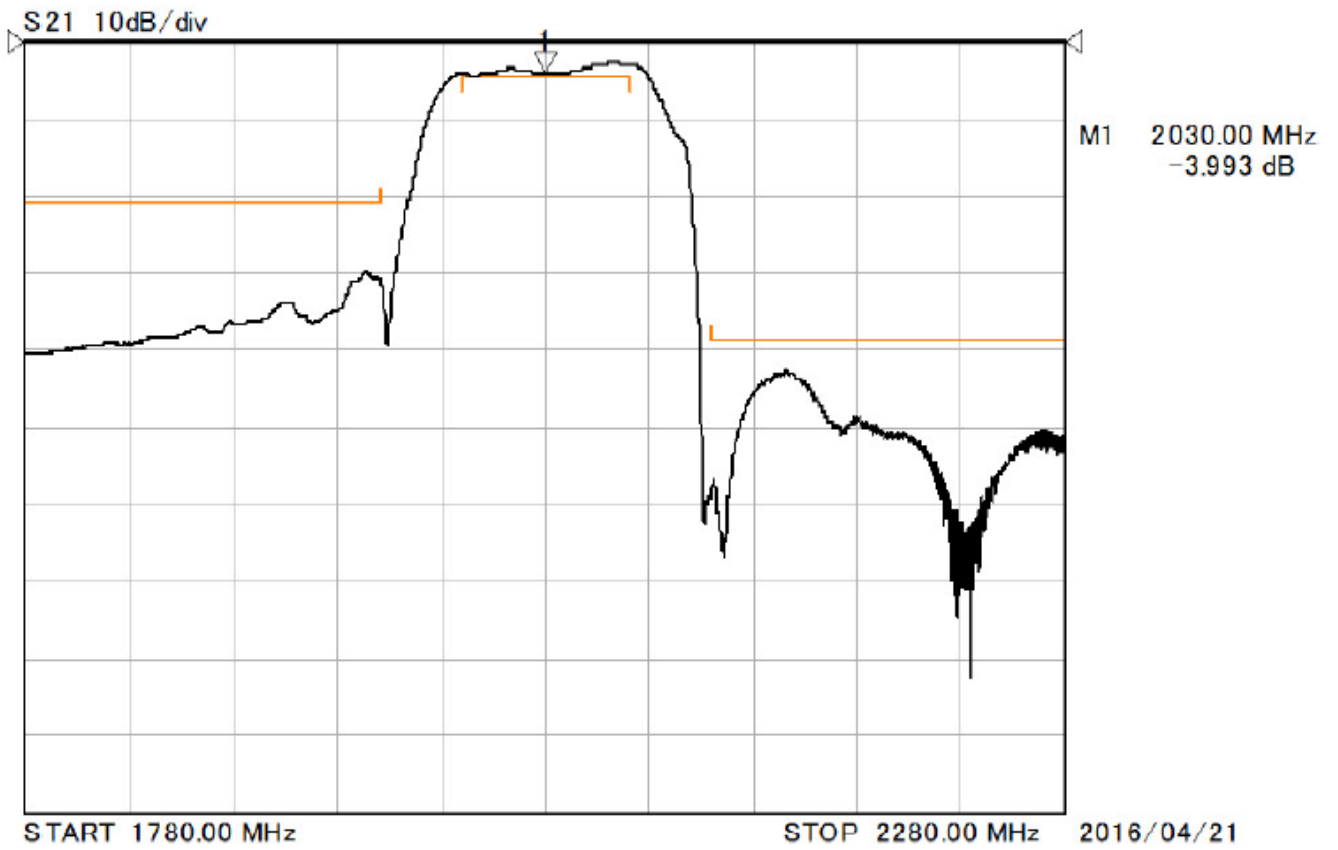


Y = Year, WW = Week, S = Shift

**PCB Footprint:**

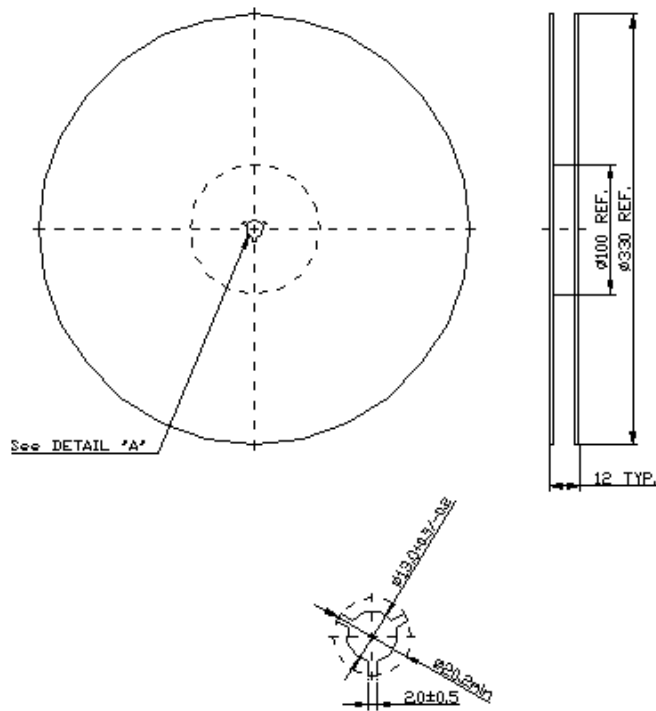


### Frequency Characteristics :

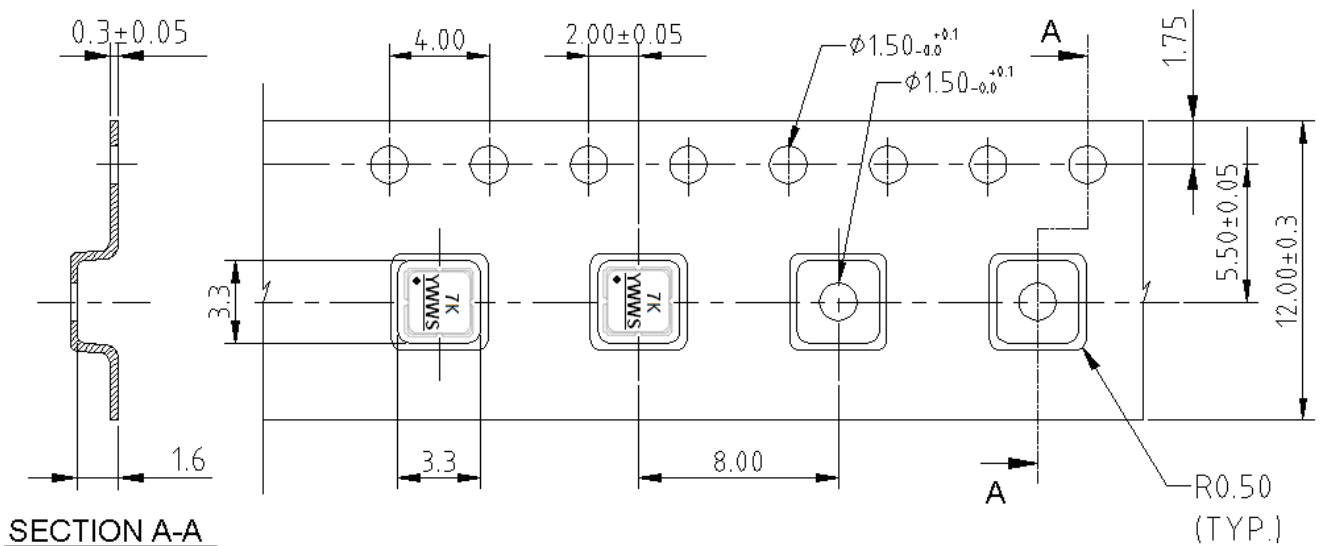


**Packing:**  
REEL DIMENSION

Reel Count:  
7" = 500  
13" = 3000

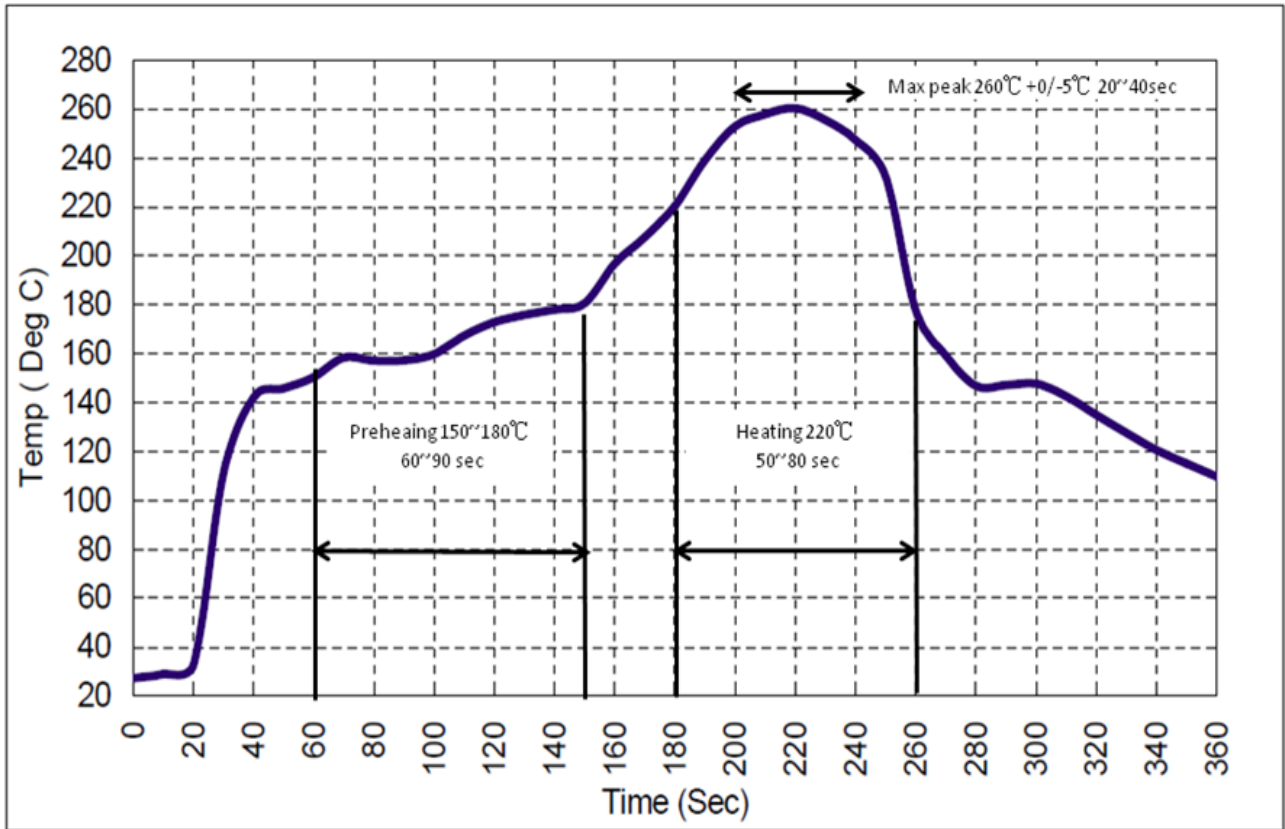


## 2. TAPE DIMENSION



### Recommended Reflow Profile:

1. Preheating shall be fixed at 150~180°C for 60~90 seconds.
2. Ascending time to preheating temperature 150°C shall be 30 seconds min.
3. Heating shall be fixed at 220°C for 50~80 seconds and at 260°C +0/-5°C peak (20~40sec).
4. Time: 2 times.



**CAUTION: Electrostatic Sensitive Device. Observe precautions for handling.**

#### NOTES:

1. The design, manufacturing process, and specifications of this device are subject to change.
2. US or International patents may apply.
3. RoHS compliant from the first date of manufacture.