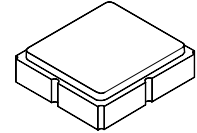


SF2405E-1

**2085 MHz
SAW Filter**



SM3030-8

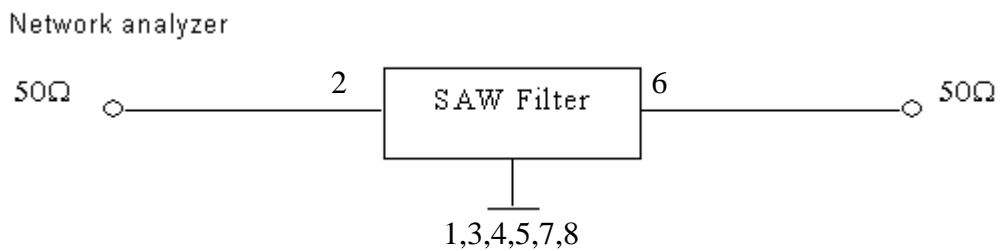
MAXIMUM RATING:

- Input Power Level: 15 dBm
- DC Voltage : 3V
- Operating Temperature: 25°C
- Storage Temperature: -20°C to +85°C
- Moisture Sensitivity Level: 1

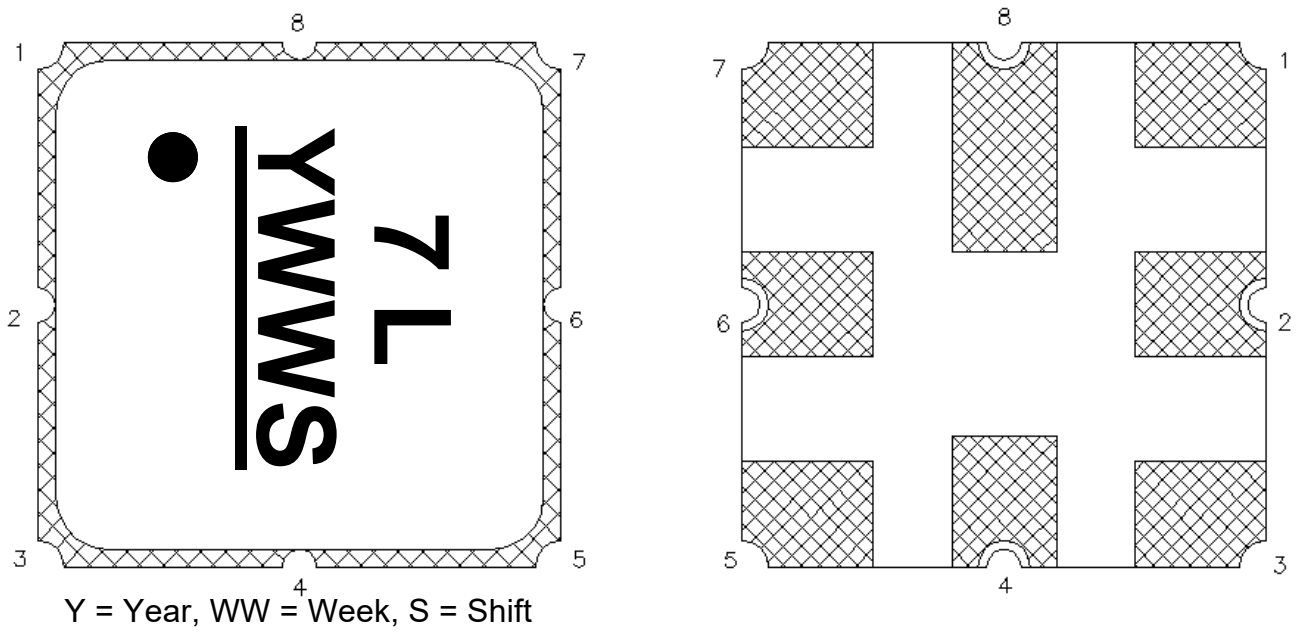
ELECTRICAL CHARACTERISTICS:

Item	Unit	Min	Typical	Max
Center Frequency Fc	MHz		2085	
Insertion Loss (2035~2135 MHz)	dB	--		6.5
Bandwidth(3dB)	MHz	100		--
Amplitude Ripple (2035~2135 MHz)	dB	--		3
Attenuation (Reference level from fc, dB)				
10 ~ 1960 MHz	dB	30		--
1960 ~ 1995 MHz	dB	28		--
2175 ~ 3700 MHz	dB	35		--
3700 ~ 4500 MHz	dB	15		--
Input / Output Impedance	Ω	50		

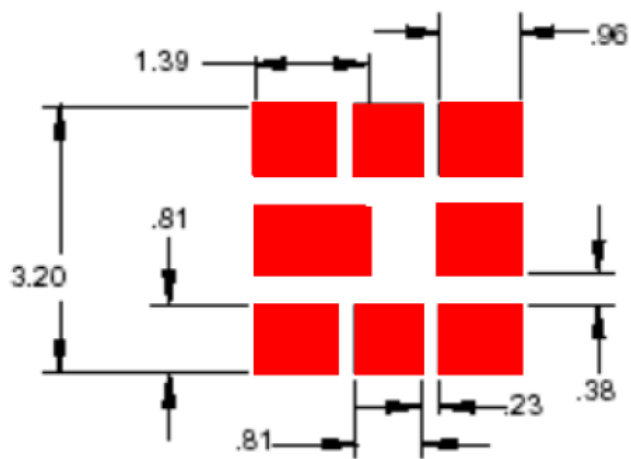
Measurement Circuit:



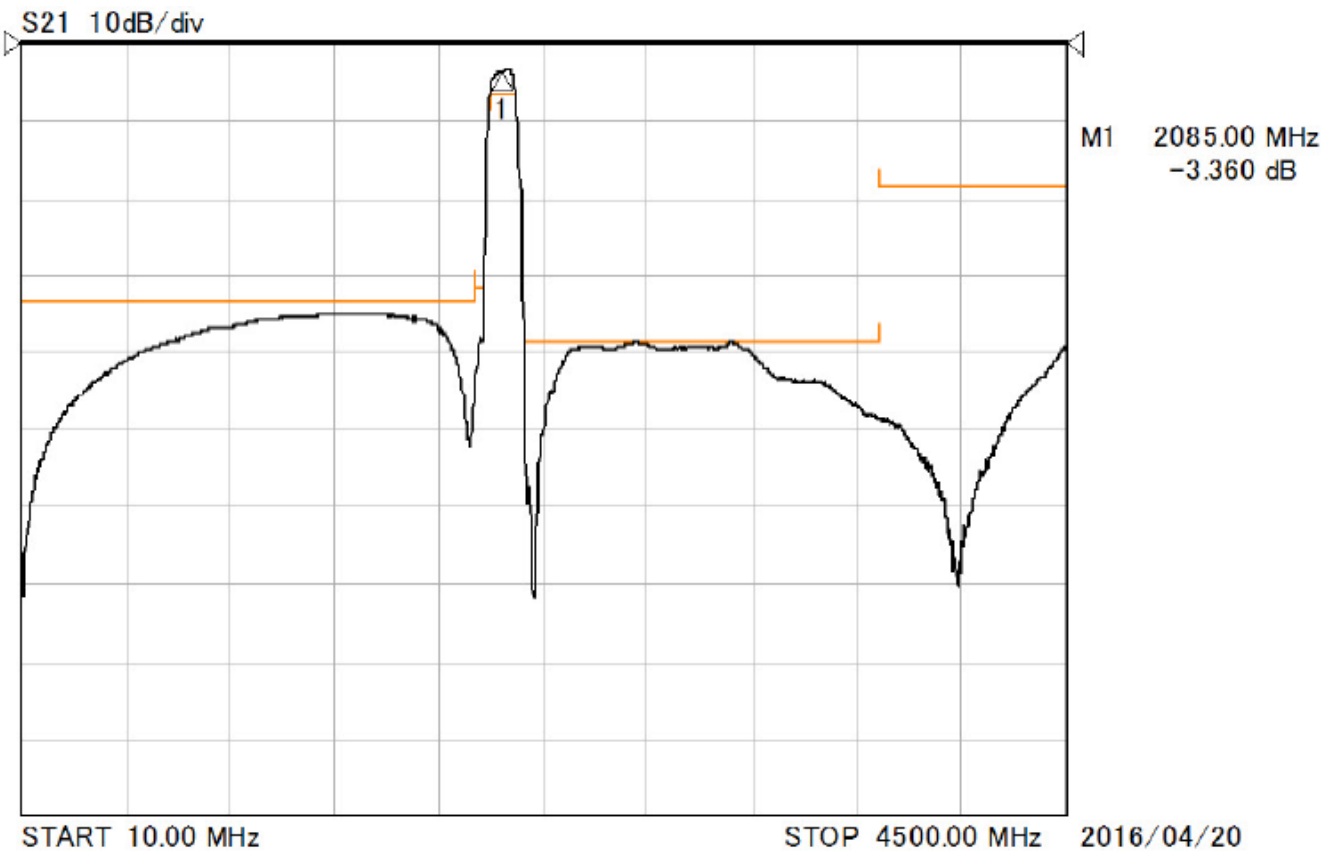
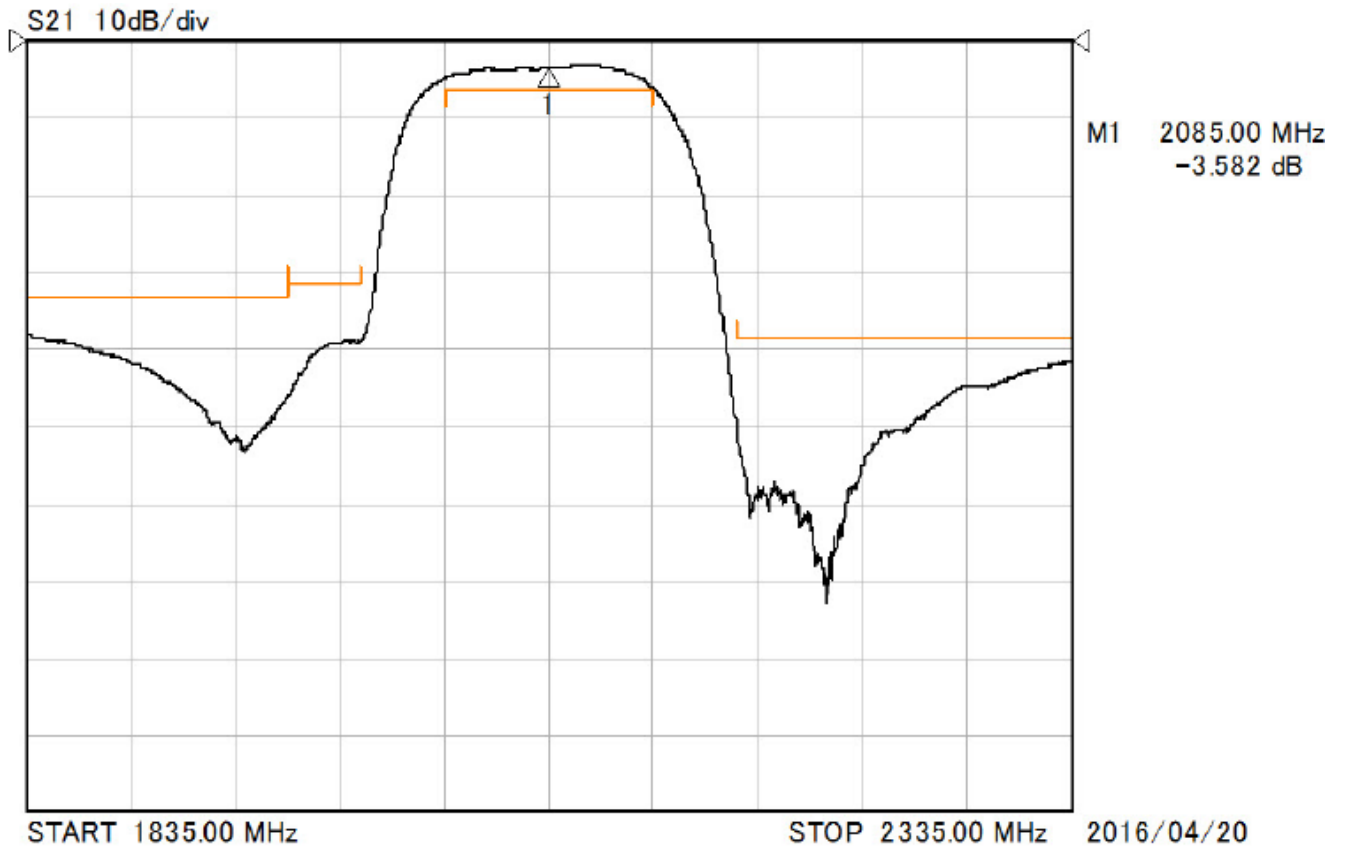
Outline Drawing:



PCB Footprint:

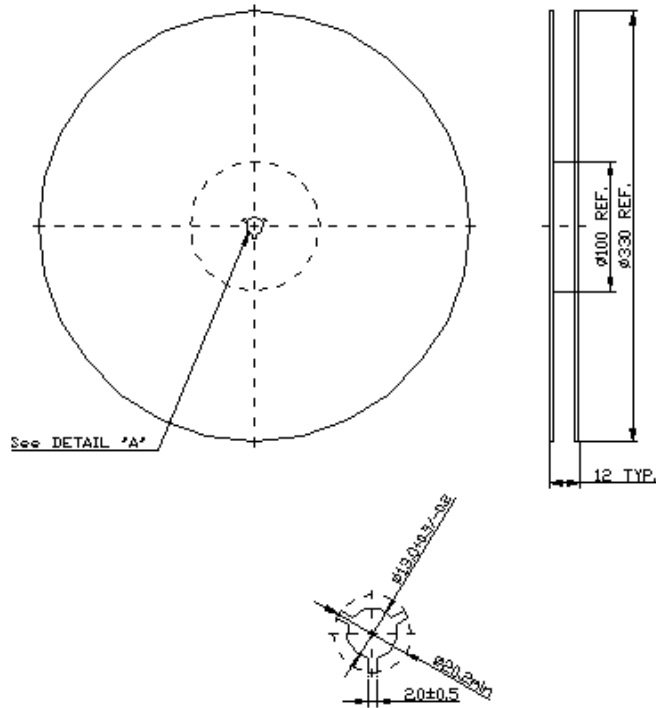


Frequency Characteristics :

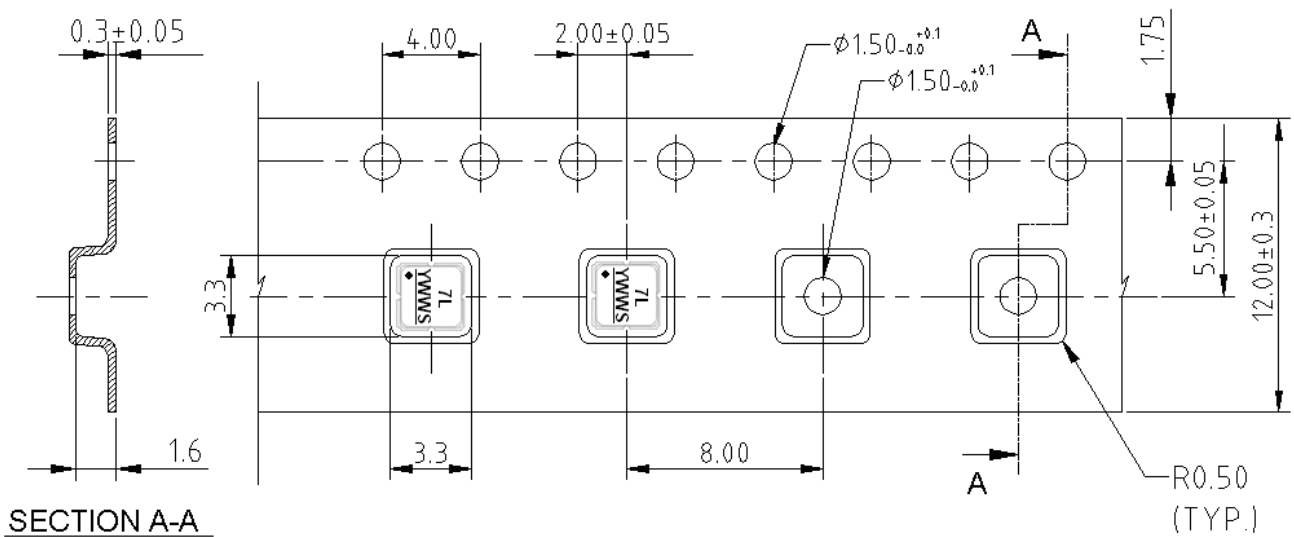


Packing:
REEL DIMENSION

Reel Count:
7" = 500
13" = 3000

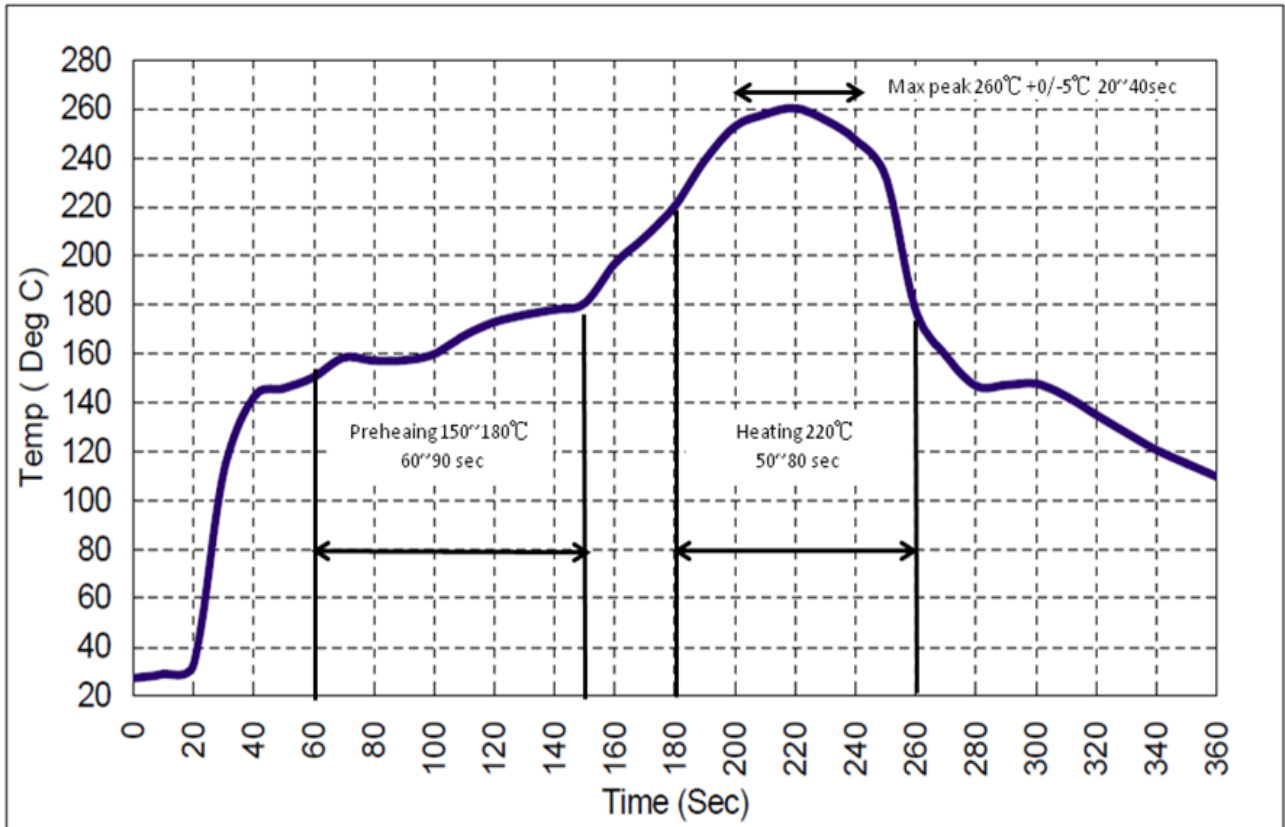


2. TAPE DIMENSION



Recommended Reflow Profile:

1. Preheating shall be fixed at 150~180°C for 60~90 seconds.
2. Ascending time to preheating temperature 150°C shall be 30 seconds min.
3. Heating shall be fixed at 220°C for 50~80 seconds and at 260°C +0/-5°C peak (20~40sec).
4. Time: 2 times.



CAUTION: Electrostatic Sensitive Device. Observe precautions for handling.

NOTES:

1. The design, manufacturing process, and specifications of this device are subject to change.
2. US or International patents may apply.
3. RoHS compliant from the first date of manufacture.