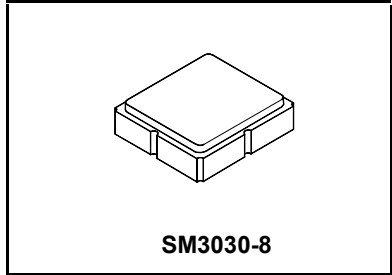


SF2406E-1

**2130 MHz
SAW Filter**



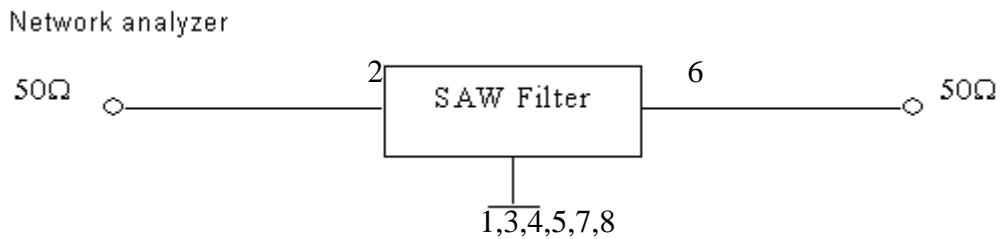
MAXIMUM RATING:

- Input Power Level: 15 dBm
- DC Voltage : 3V
- Operating Temperature: 25°C
- Storage Temperature: -20°C to +85°C
- Moisture Sensitivity Level: 1

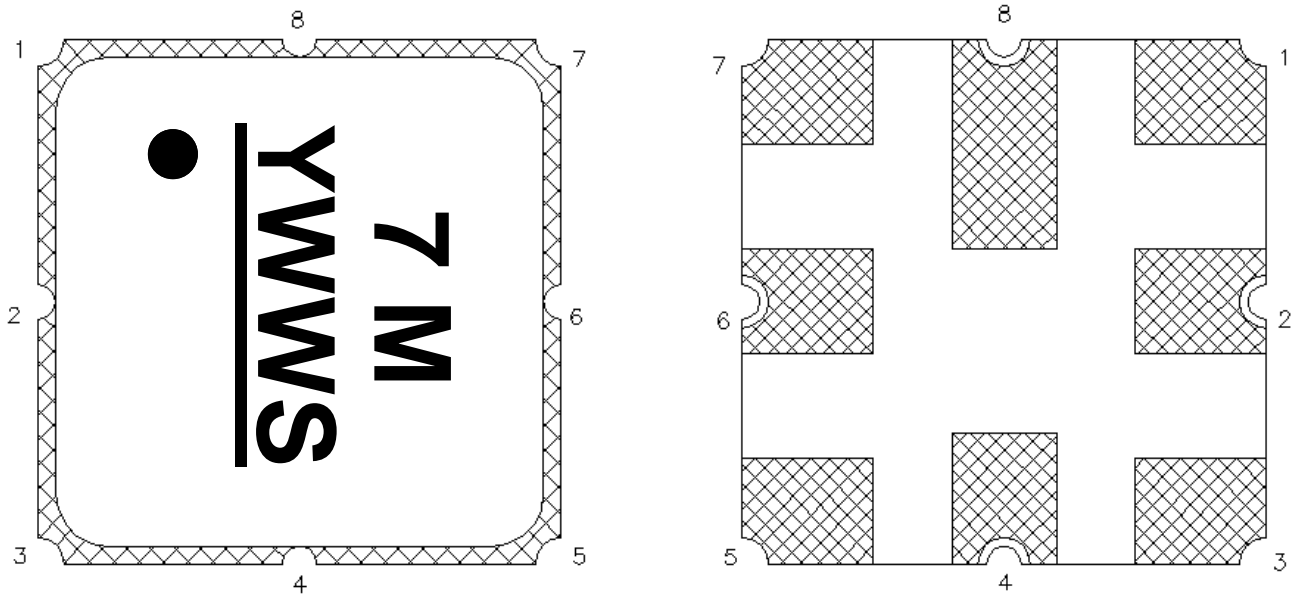
ELECTRICAL CHARACTERISTICS:

Item	Unit	Min	Typical	Max
Center Frequency Fc	MHz		2130	
Insertion Loss (2120~2140 MHz)	dB	--		5
Bandwidth(1dB)	MHz	20		--
Amplitude Ripple (2120~2140 MHz)	dB	--		1.2
Attenuation (Reference level from fc, dB)				
10 ~ 2060 MHz	dB	35		--
2060 ~ 2080 MHz	dB	25		--
2180 ~ 3600 MHz	dB	35		--
3600 ~ 4500 MHz	dB	15		--
Input / Output Impedance	Ω	50		

Measurement Circuit:

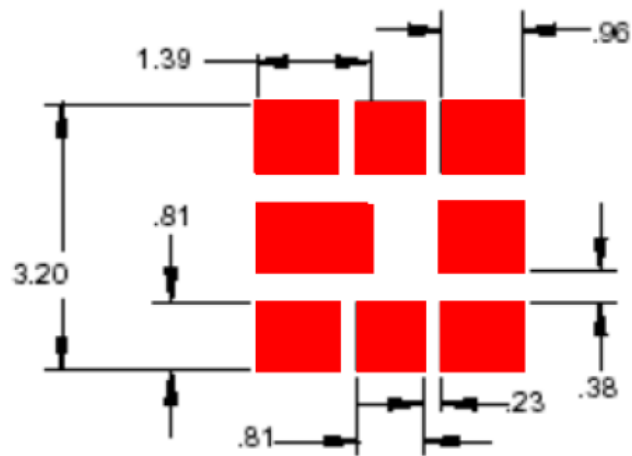


Outline Drawing:

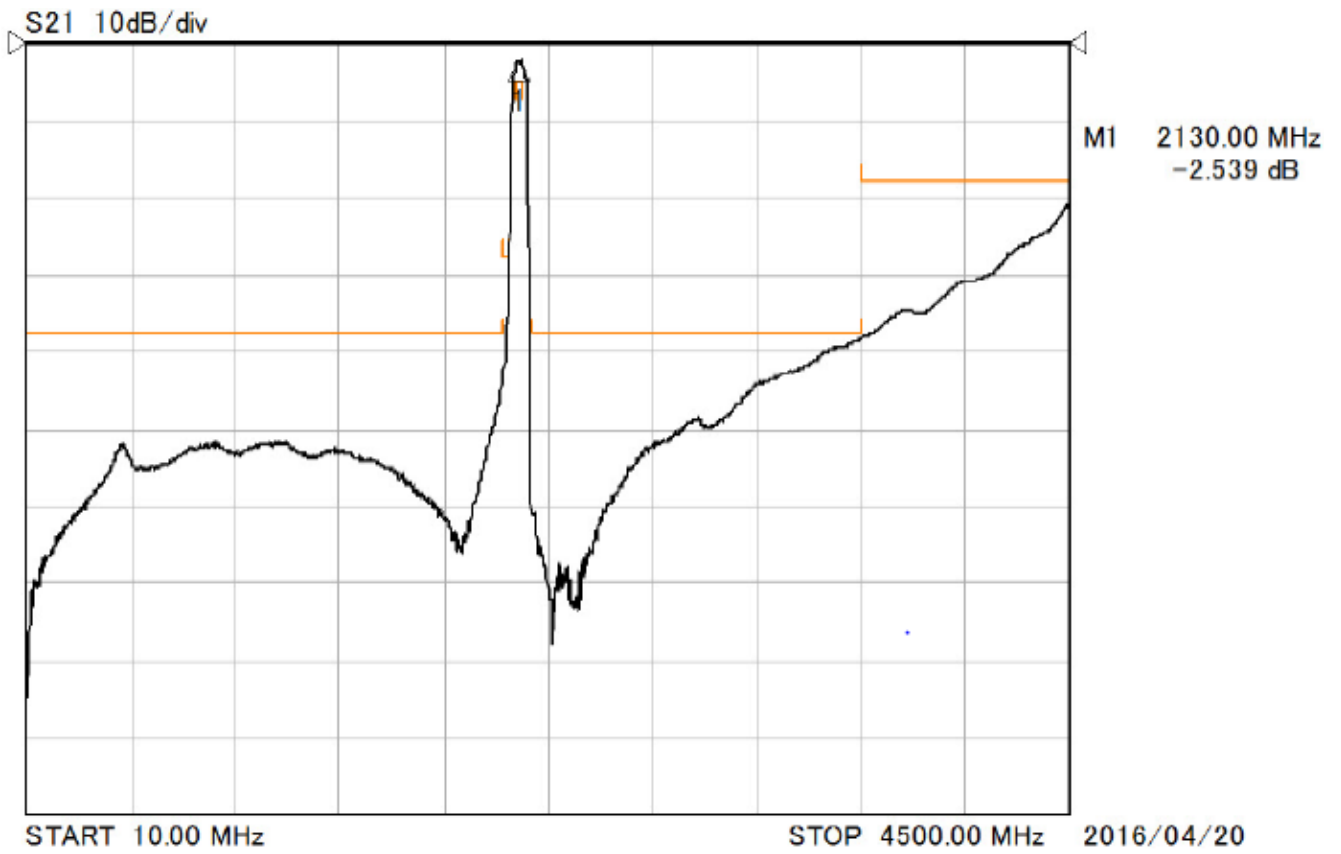
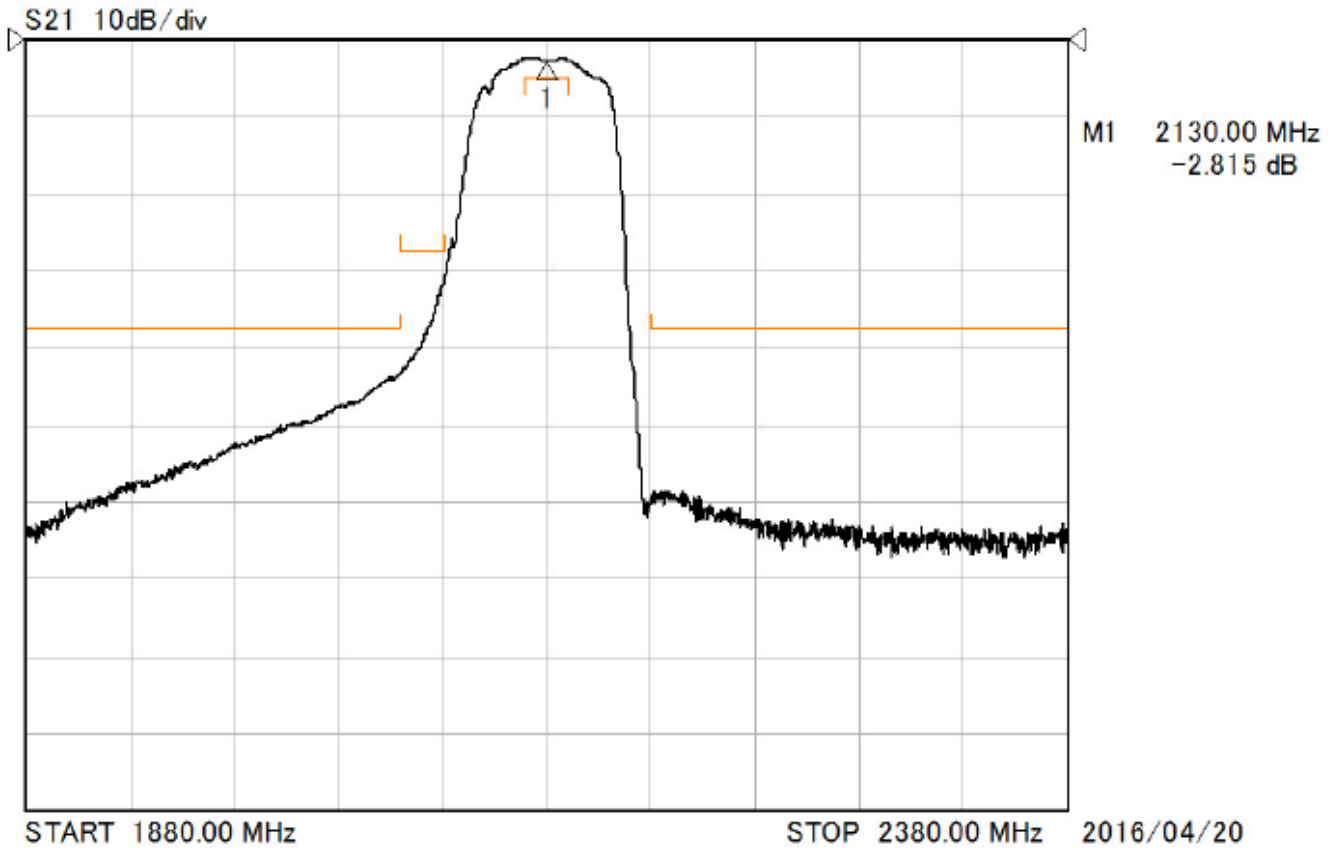


Y = Year, WW = Week, S = Shift

PCB Footprint:

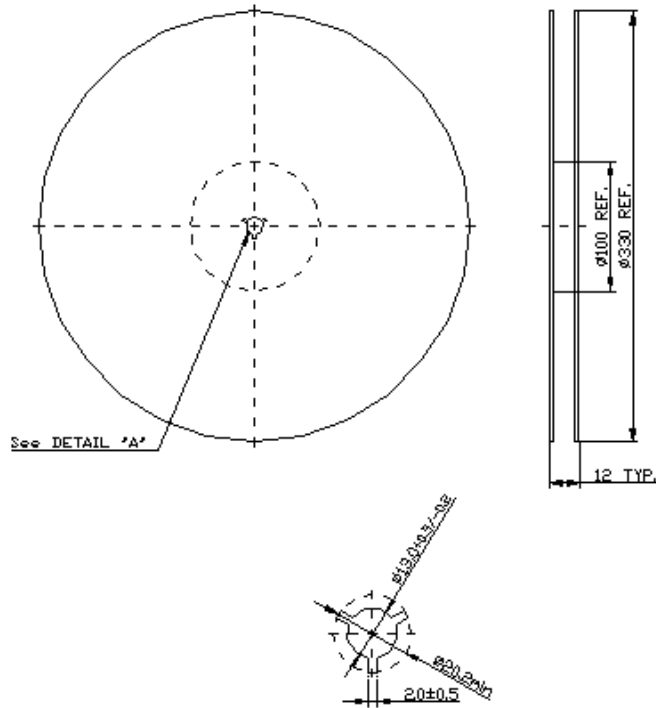


Frequency Characteristics :

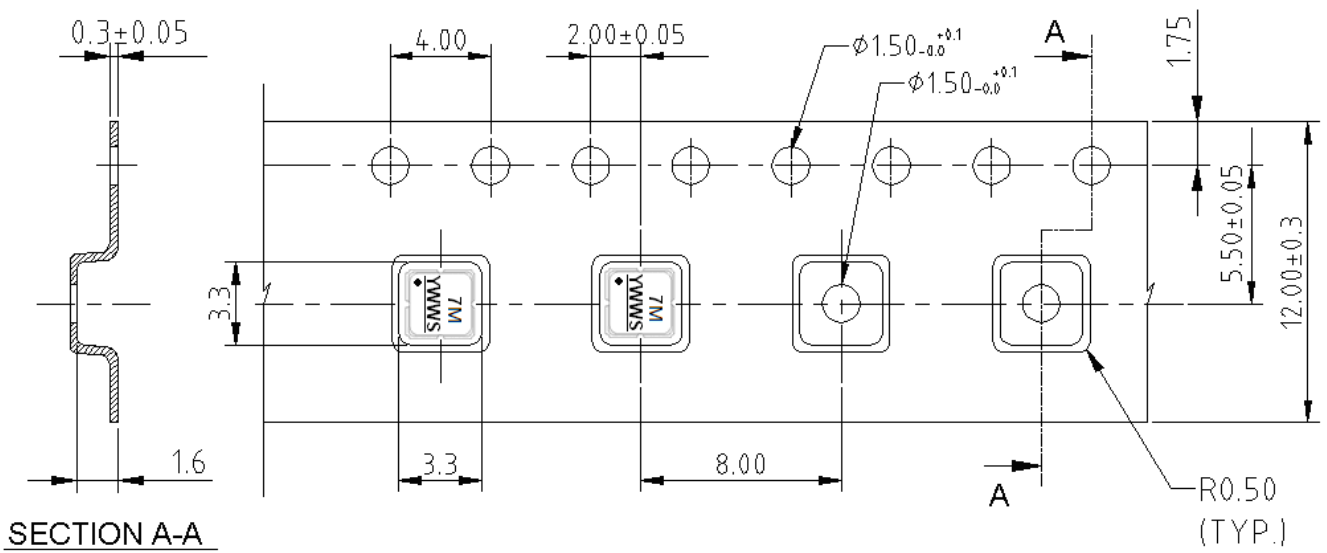


Packing:
REEL DIMENSION

Reel Count:
7" = 500
13" = 3000

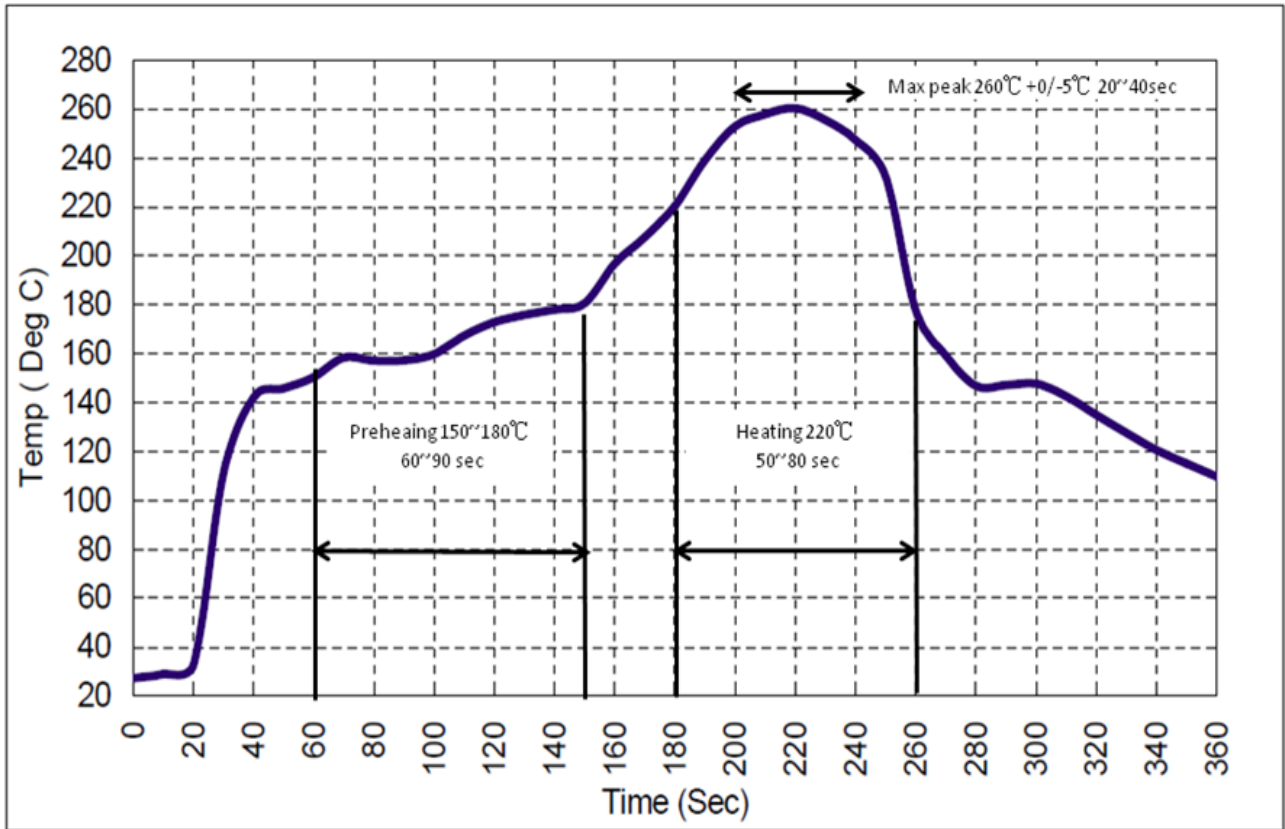


2. TAPE DIMENSION



Recommended Reflow Profile:

1. Preheating shall be fixed at 150~180°C for 60~90 seconds.
2. Ascending time to preheating temperature 150°C shall be 30 seconds min.
3. Heating shall be fixed at 220°C for 50~80 seconds and at 260°C +0/-5°C peak (20~40sec).
4. Time: 2 times.



CAUTION: Electrostatic Sensitive Device. Observe precautions for handling.

NOTES:

1. The design, manufacturing process, and specifications of this device are subject to change.
2. US or International patents may apply.
3. RoHS compliant from the first date of manufacture.