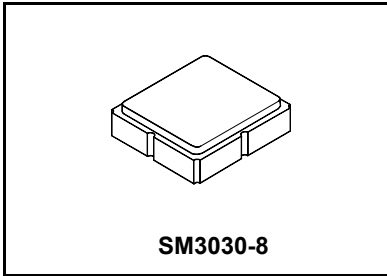


SF2409E-1

2120 MHz SAW Filter



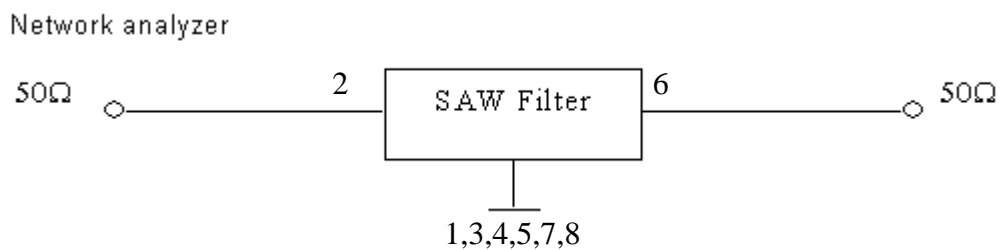
MAXIMUM RATING:

- Input Power Level: 15 dBm
- DC Voltage : 3V
- Operating Temperature: 25°C
- Storage Temperature: -20°C to +85°C
- Moisture Sensitivity Level: 1

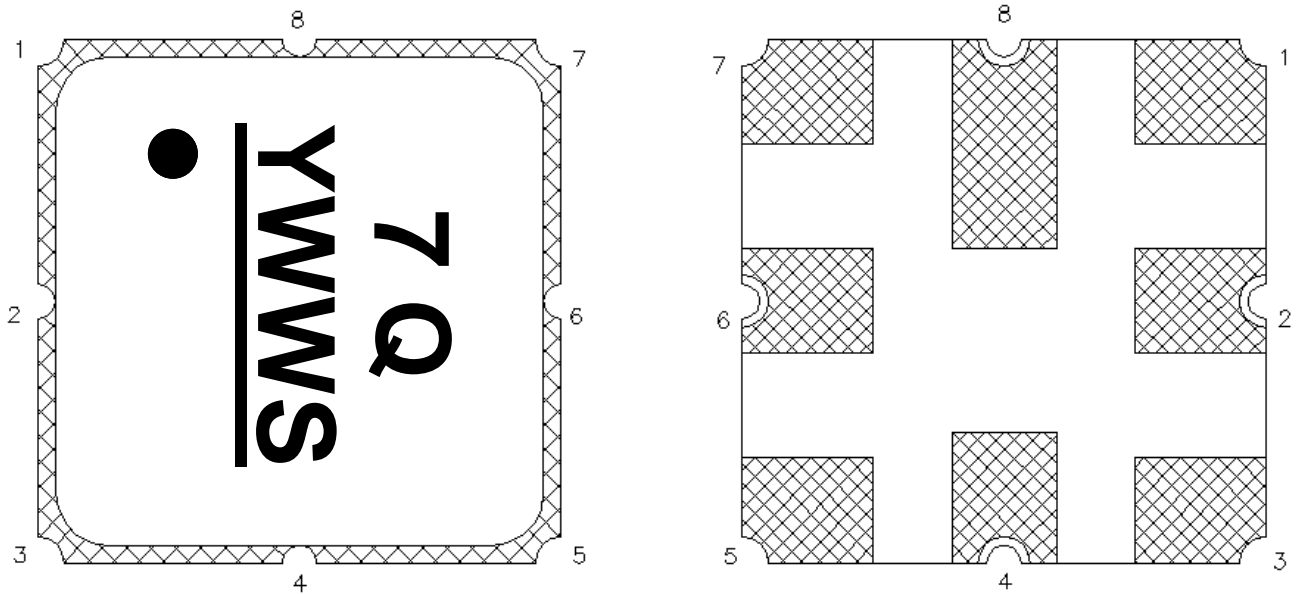
ELECTRICAL CHARACTERISTICS:

Item	Unit	Min	Typical	Max
Center Frequency Fc	MHz		2120	
Insertion Loss (2080~2160 MHz)	dB	--		4.8
Bandwidth(2dB)	MHz	80		--
Amplitude Ripple (2080~2160 MHz)	dB	--		1.8
Attenuation (Reference level from fc, dB)				
10 ~ 1800 MHz	dB	35		--
1800 ~ 2040 MHz	dB	17		--
2200 ~ 2450 MHz	dB	35		--
2450 ~ 3700 MHz	dB	17		--
3700 ~ 4500 MHz	dB	15		--
Input / Output Impedance	Ω	50		

Measurement Circuit:

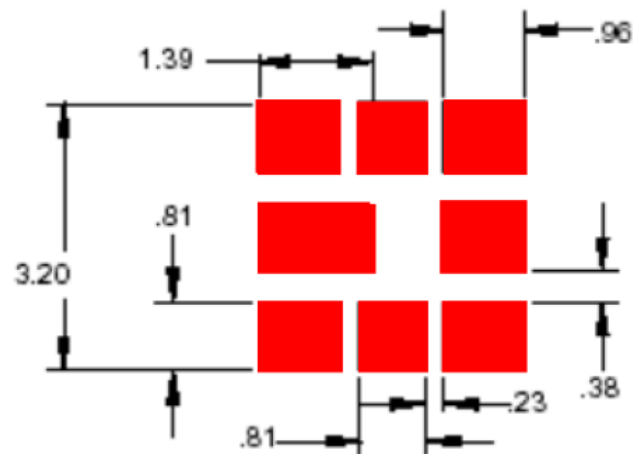


Outline Drawing:

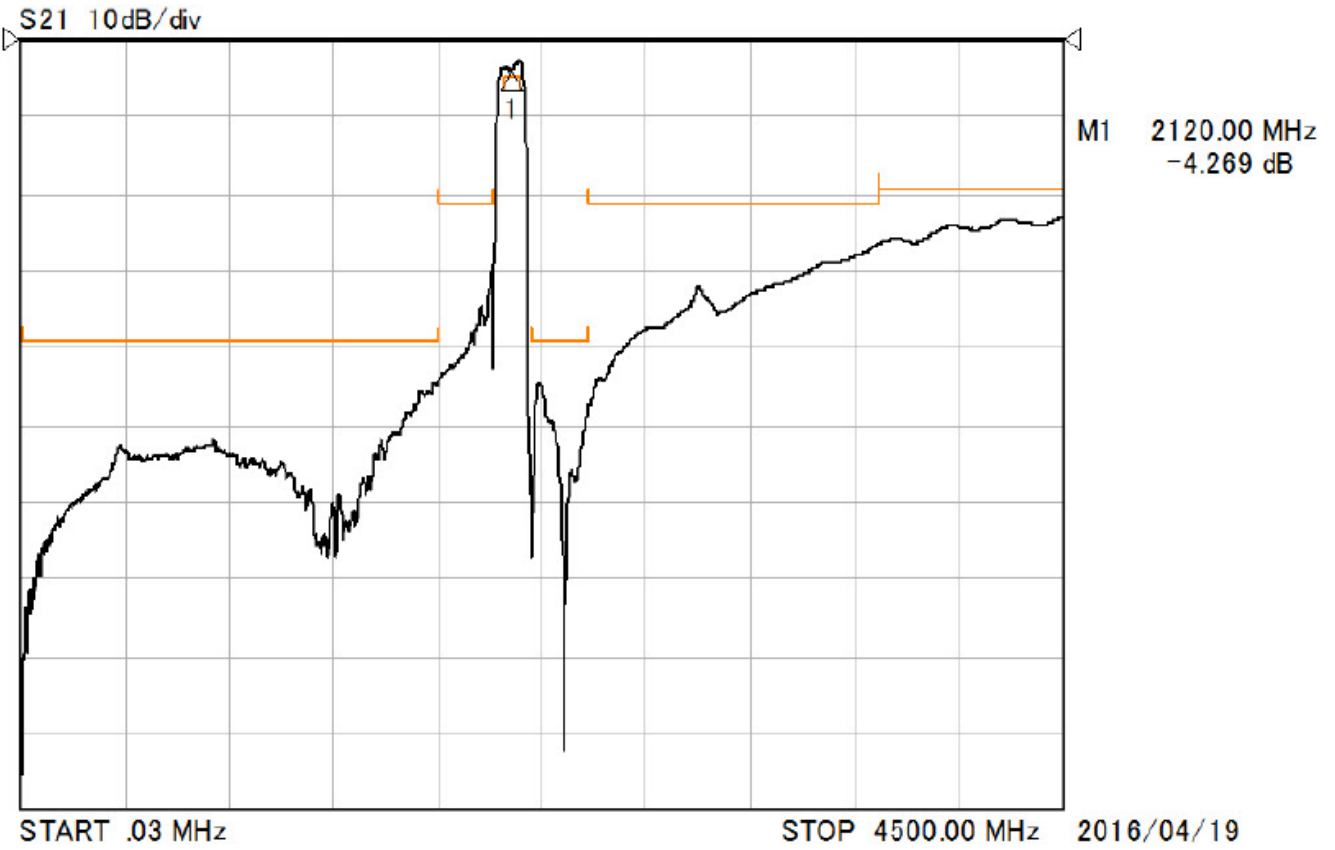
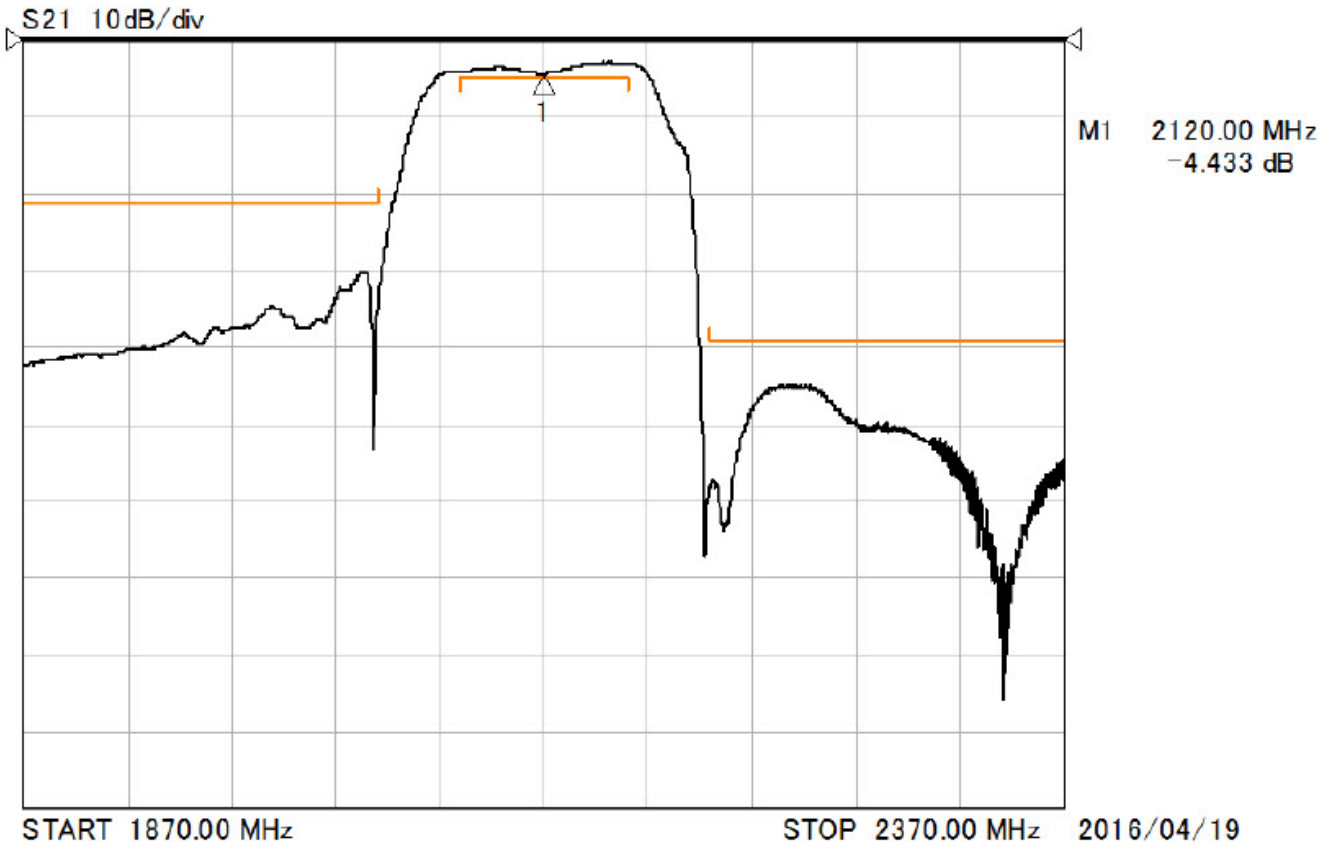


Y = Year, WW = Week, S = Shift

PCB Footprint:

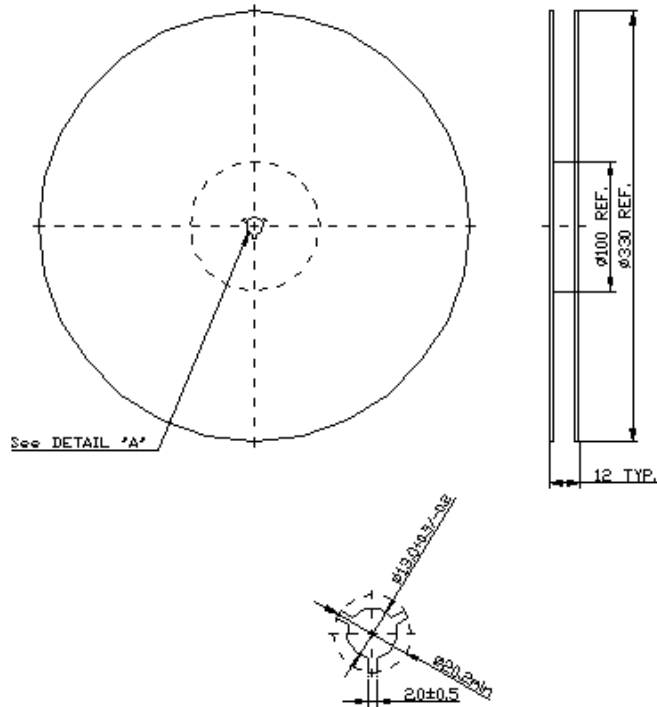


Frequency Characteristics :

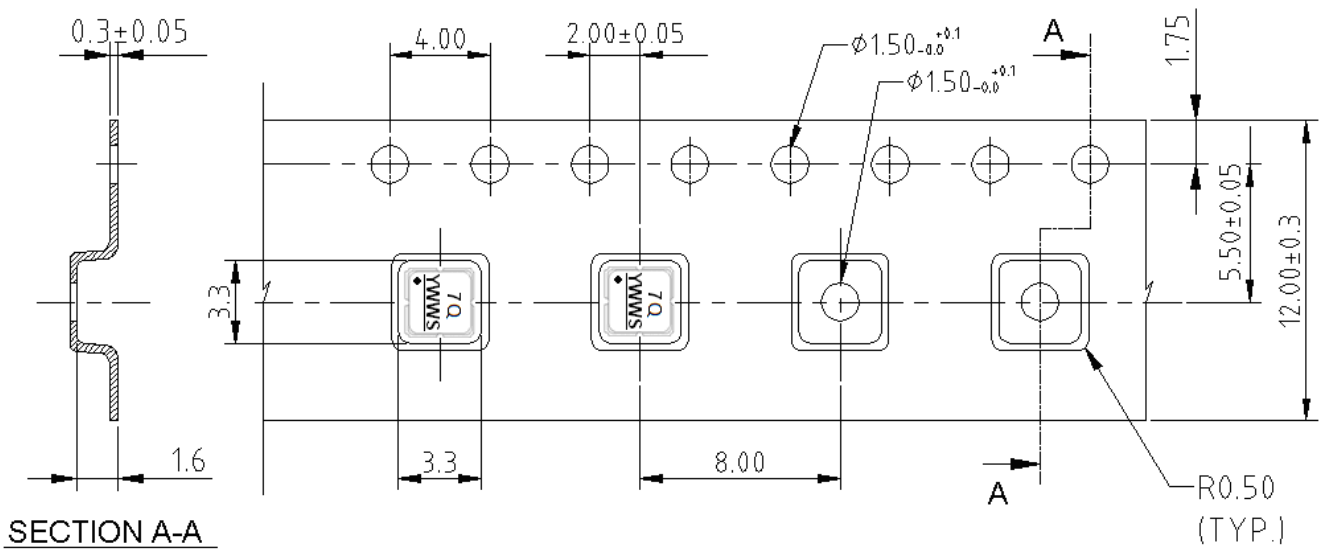


Packing:
REEL DIMENSION

Reel Count:
7" = 500
13" = 3000

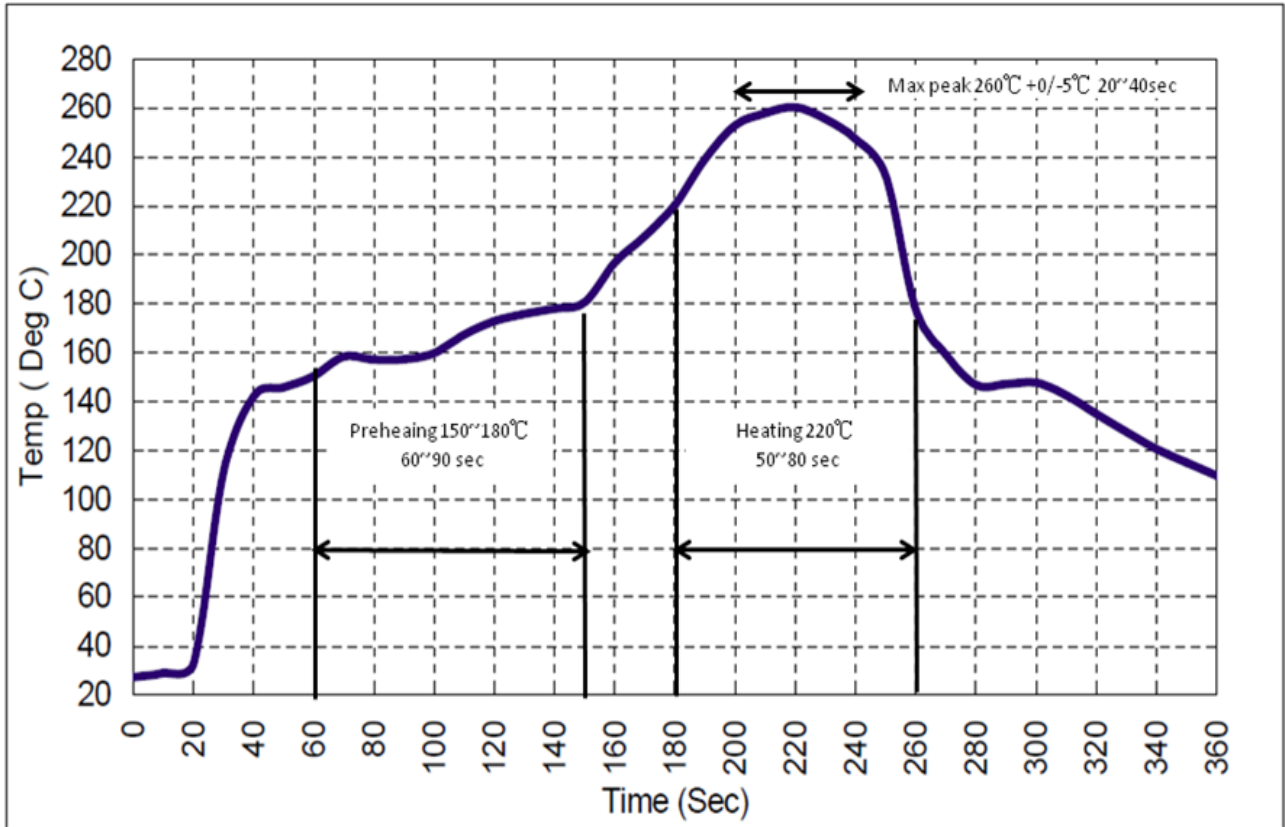


2. TAPE DIMENSION



Recommended Reflow Profile:

1. Preheating shall be fixed at 150~180°C for 60~90 seconds.
2. Ascending time to preheating temperature 150°C shall be 30 seconds min.
3. Heating shall be fixed at 220°C for 50~80 seconds and at 260°C +0/-5°C peak (20~40sec).
4. Time: 2 times.



CAUTION: Electrostatic Sensitive Device. Observe precautions for handling.

NOTES:

1. The design, manufacturing process, and specifications of this device are subject to change.
2. US or International patents may apply.
3. RoHS compliant from the first date of manufacture.