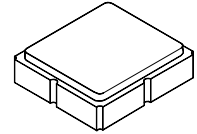


### MAXIMUM RATING:

- Input Power Level: 15 dBm
- DC Voltage : 3V
- Operating Temperature: 25°C
- Storage Temperature: -20°C to +85°C
- Moisture Sensitivity Level: 1

## 1940 MHz SAW Filter

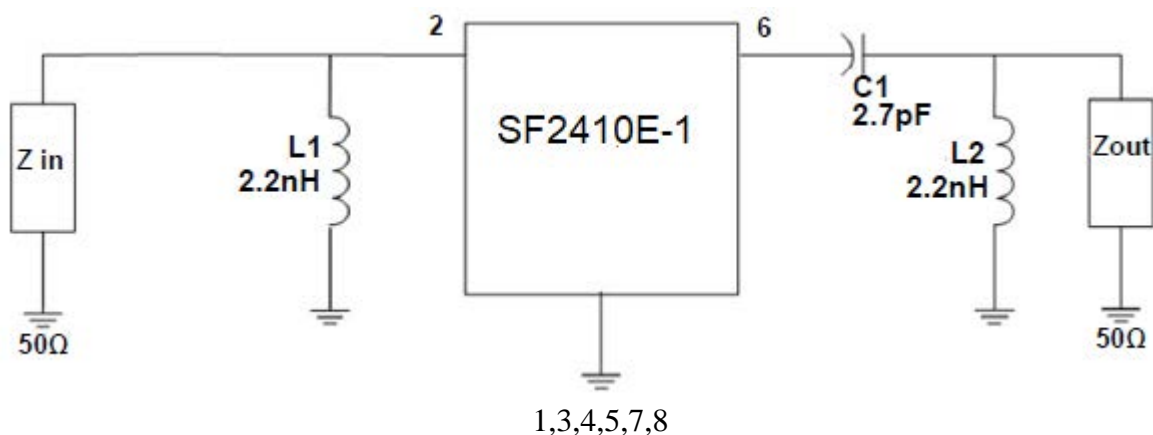


SM3030-8

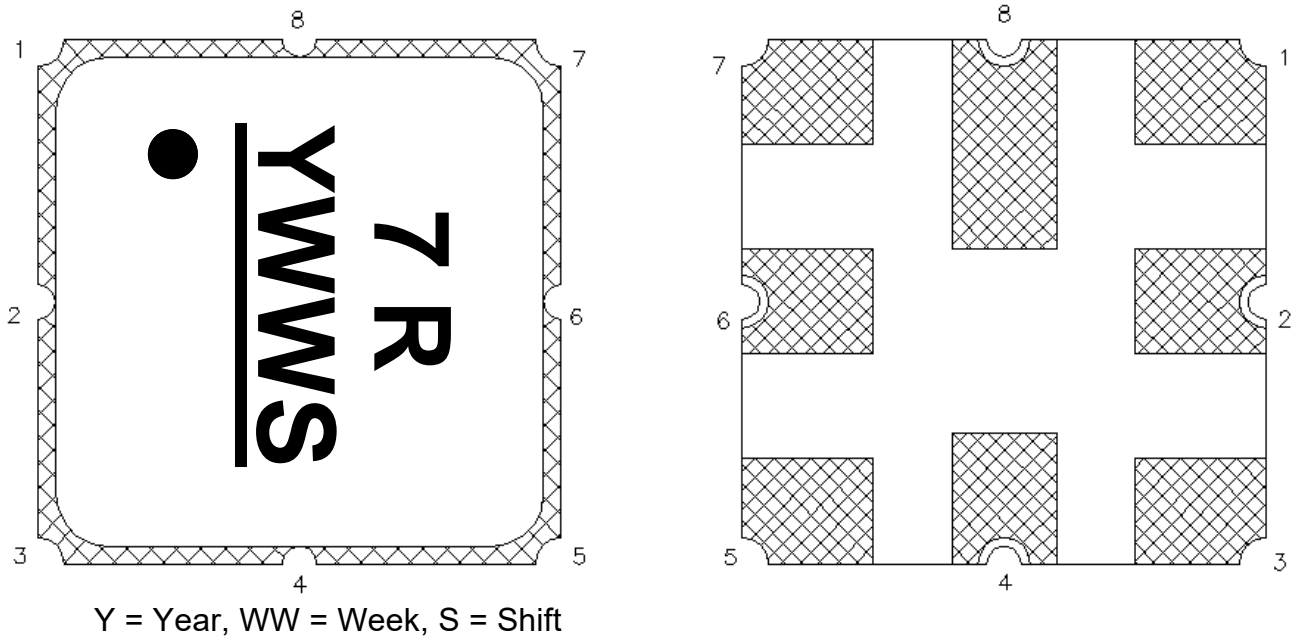
### ELECTRICAL CHARACTERISTICS:

Item	Unit	Min	Typical	Max
Center Frequency <b>F<sub>c</sub></b>	MHz		<b>1940</b>	
Insertion Loss (1840~2040 MHz)	dB	--		<b>10</b>
Bandwidth(3dB)	MHz	<b>200</b>		--
Amplitude Ripple (1840~2040 MHz)	dB	--		<b>3</b>
<b>Attenuation</b> (Reference level from f <sub>c</sub> , dB)				
10 ~ 1760 MHz	dB	<b>35</b>		--
2120 ~ 2140 MHz	dB	<b>18</b>		--
2140 ~ 3700 MHz	dB	<b>35</b>		--
3700 ~ 4500 MHz	dB	<b>15</b>		--
Input / Output Impedance	Ω	<b>50</b>		

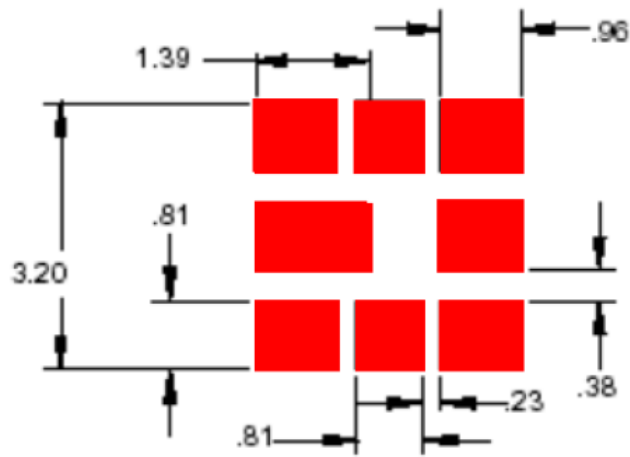
### Measurement Circuit:



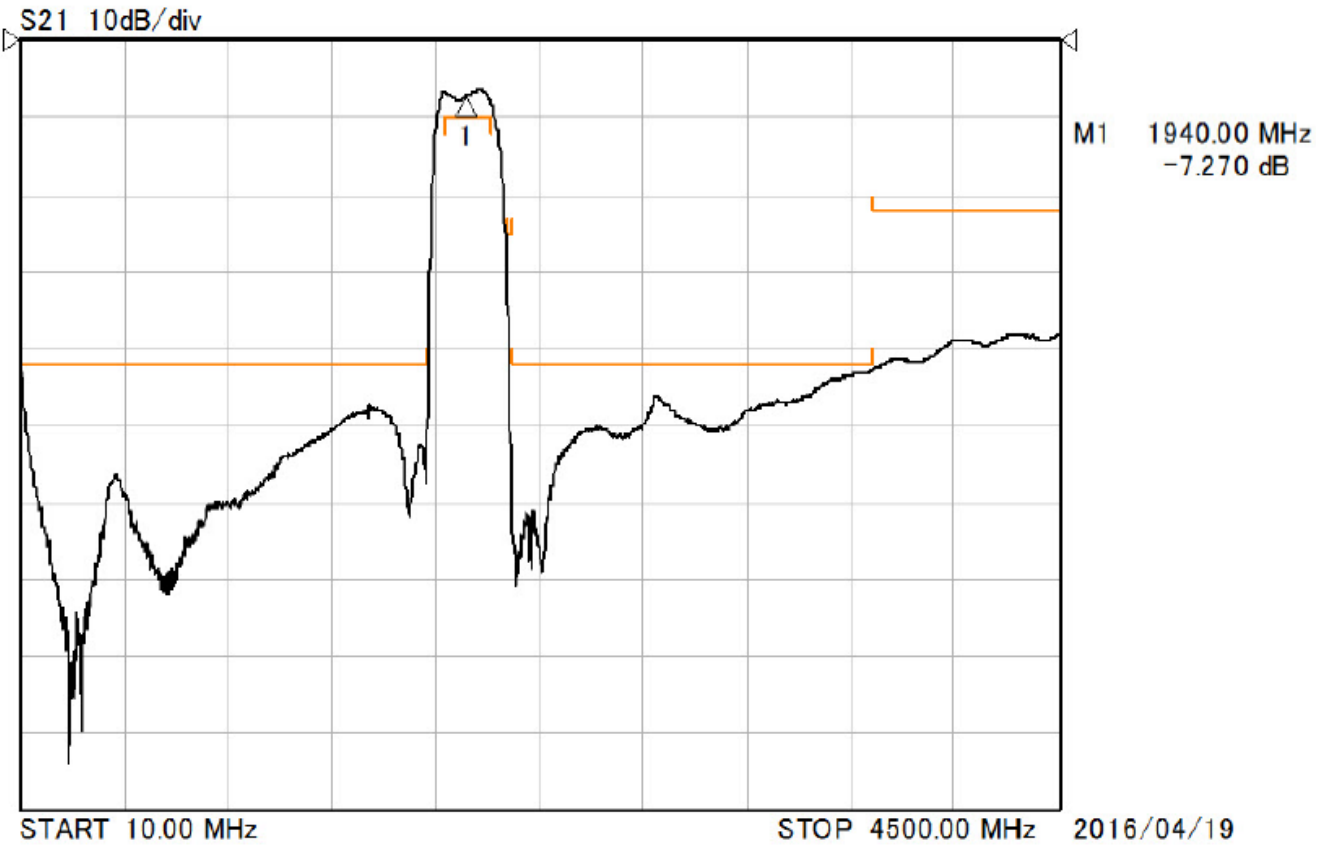
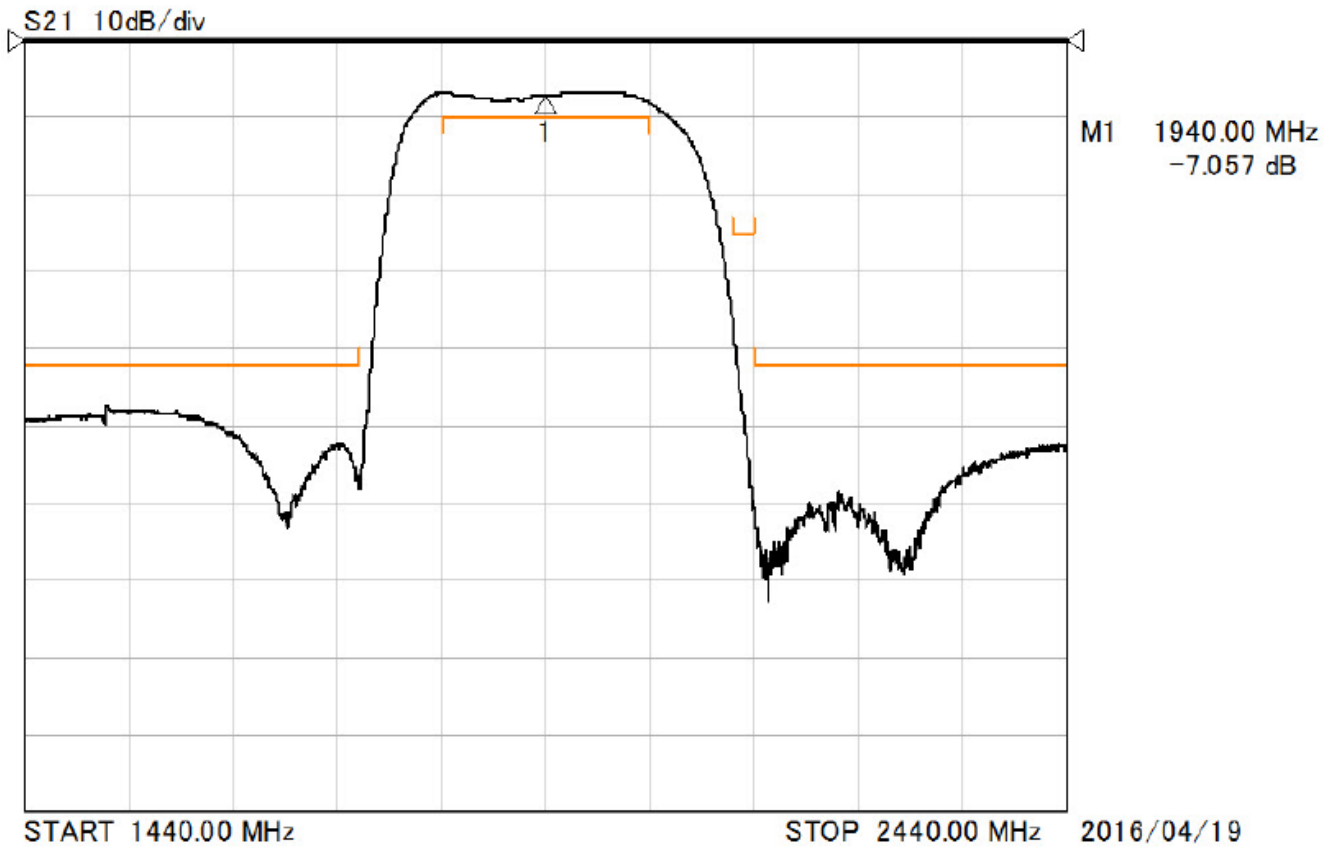
**Outline Drawing:**



**PCB Footprint:**

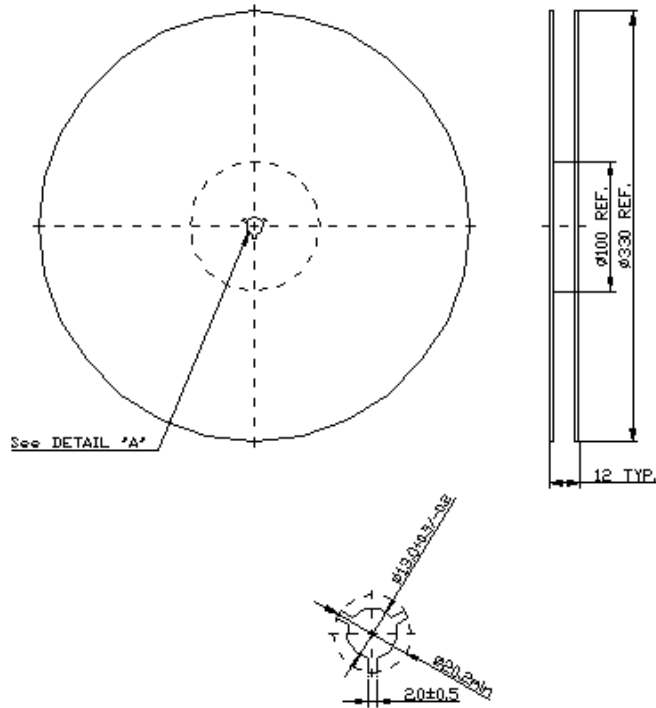


Frequency Characteristics :

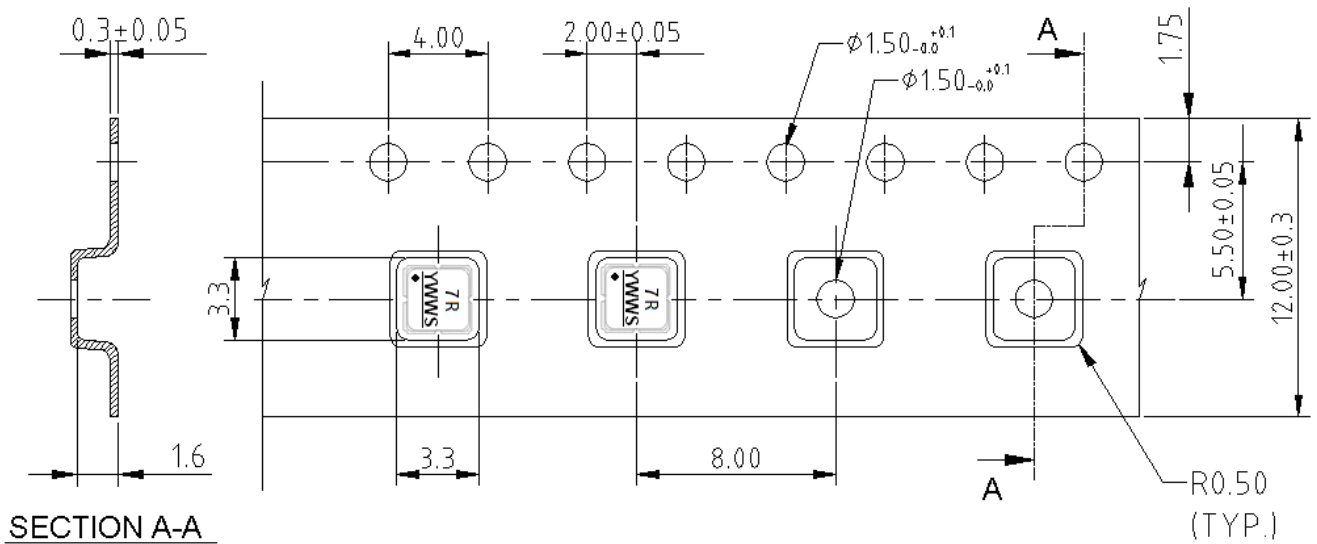


**Packing:  
REEL DIMENSION**

Reel Count:  
7" = 500  
13" = 3000

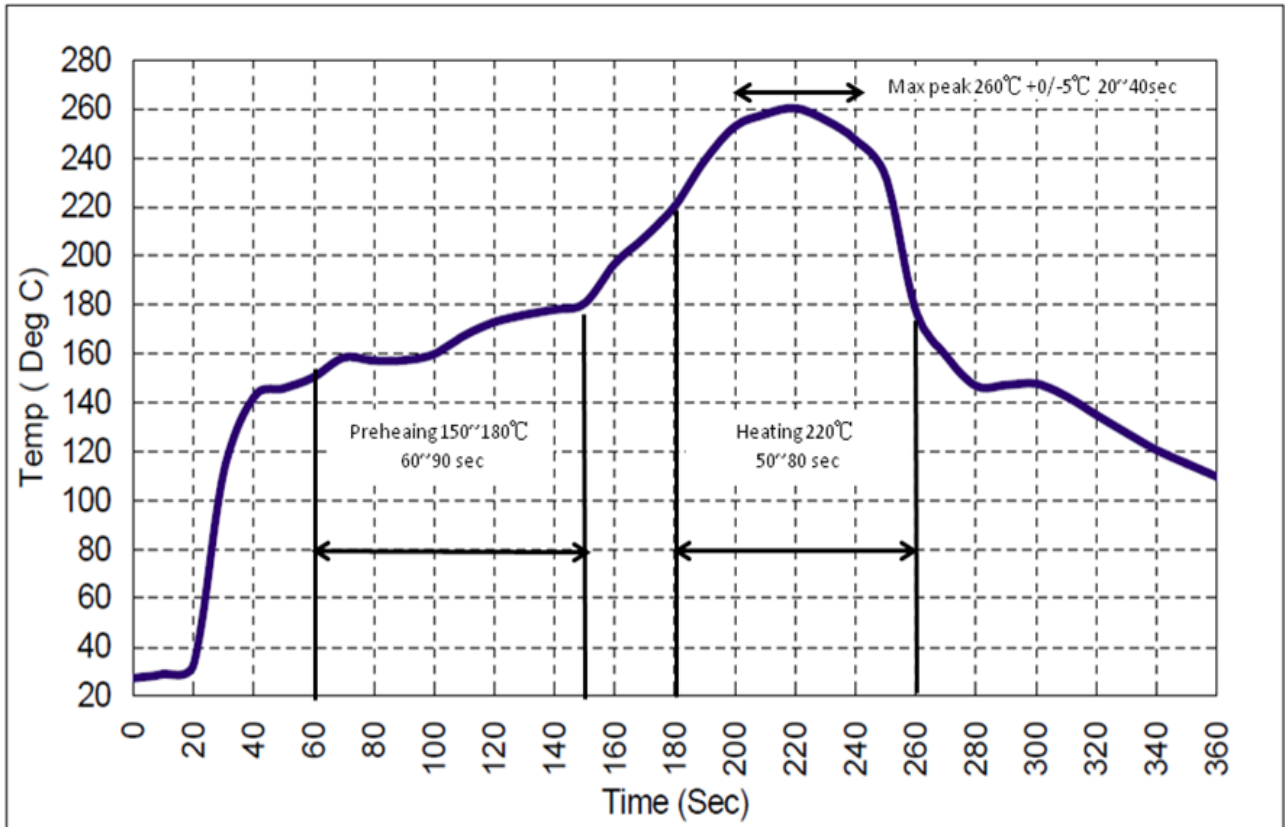


## 2. TAPE DIMENSION



### Recommended Reflow Profile:

1. Preheating shall be fixed at  $150\sim 180^{\circ}\text{C}$  for 60~90 seconds.
2. Ascending time to preheating temperature  $150^{\circ}\text{C}$  shall be 30 seconds min.
3. Heating shall be fixed at  $220^{\circ}\text{C}$  for 50~80 seconds and at  $260^{\circ}\text{C} +0/-5^{\circ}\text{C}$  peak (20~40sec).
4. Time: 2 times.



**CAUTION: Electrostatic Sensitive Device. Observe precautions for handling.**

#### NOTES:

1. The design, manufacturing process, and specifications of this device are subject to change.
2. US or International patents may apply.
3. RoHS compliant from the first date of manufacture.