

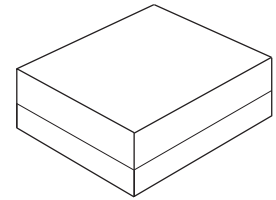
Complies with Directive 2002/95/EC (RoHS)
Moisture Sensitivity Level: 3

Absolute Maximum Ratings

Rating	Value	Units
Input Power Level	15	dBm
DC Voltage	3	VDC
Operable Temperature Range	+40 to +105	°C
Storage Temperature Range	-40 to +105	°C

SF2522K

**1202 MHz
SAW Filter**



SM1411-5

Electrical Characteristics

Terminating source impedance (single): $Z_s = 50 \Omega$

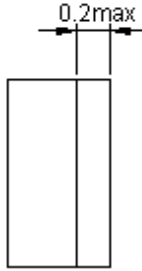
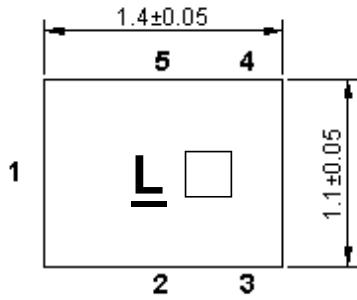
Terminating load impedance (single): $Z_L = 50 \Omega$

Item	Unit	Min.	Typ.	Max.	Note
Center Frequency Fc	MHz	-	1202	-	-
Insertion Loss (1166~1238 MHz) IL	dB	-	2.4	4	-
Amplitude ripple (1166~1238 MHz)	dB	-	1	2	-
Attenuation (reference level from 0 dB)					
100~1106 MHz	dB	30	34	-	-
1106~1136 MHz	dB	20	32	-	-
1268~1318 MHz	dB	20	37	-	-
1318~1800 MHz	dB	25	35	-	-
1800~2000 MHz	dB	30	45	-	-
2400~2500 MHz	dB	30	40	-	-
Temperature Coefficient of Frequency	ppm/°C	-	-36	-	-

 **CAUTION: Electrostatic Sensitive Device. Observe precautions for handling.**
NOTES:

1. The design, manufacturing process, and specifications of this device are subject to change.
2. US or International patents may apply.
3. RoHS compliant from the first date of manufacture.

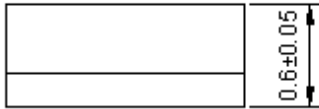
Outline Drawing



Symbol:

X – assigned by manufacturer

□ Year/Month code

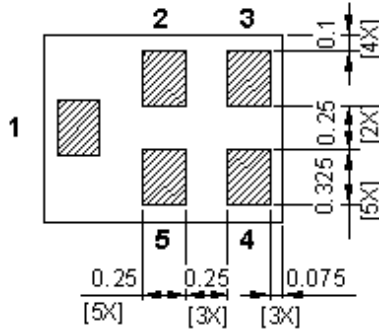


All tolerances are +/-0.05 mm unless otherwise specified

Coplanarity : 0.1 mm max.

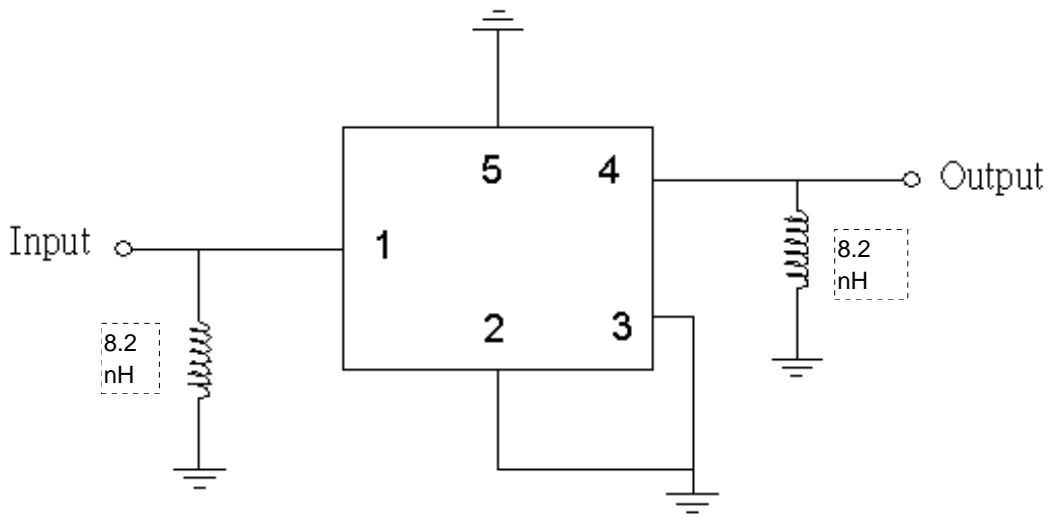
1 to 5 : Pin No.

Unit : mm

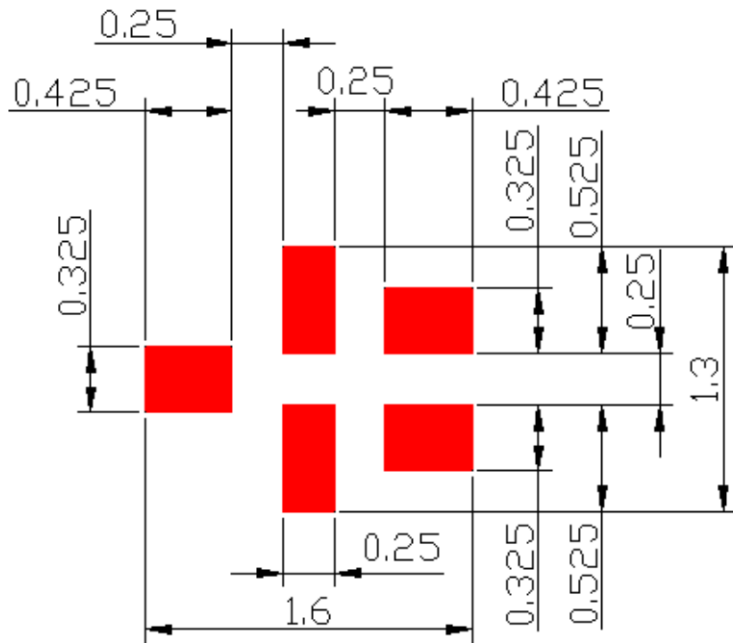



Pin No.	Symbol	Function
1	IN	Input
2	GND	Ground
3	GND	Ground
4	OUT	Output
5	GND	Ground

Measurement Circuit



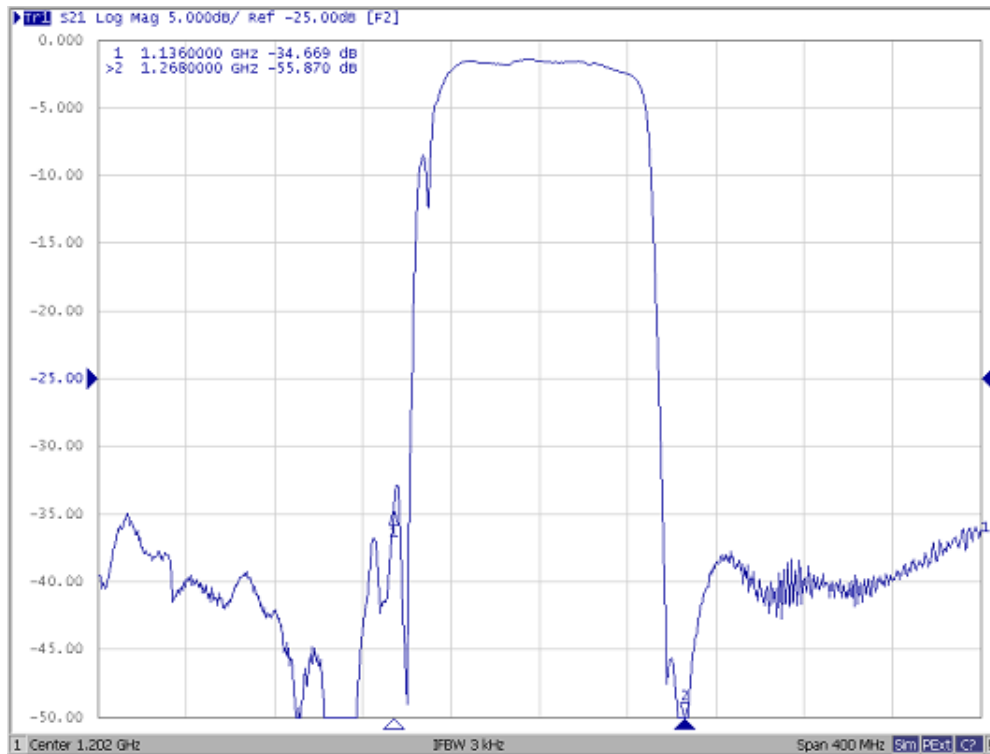
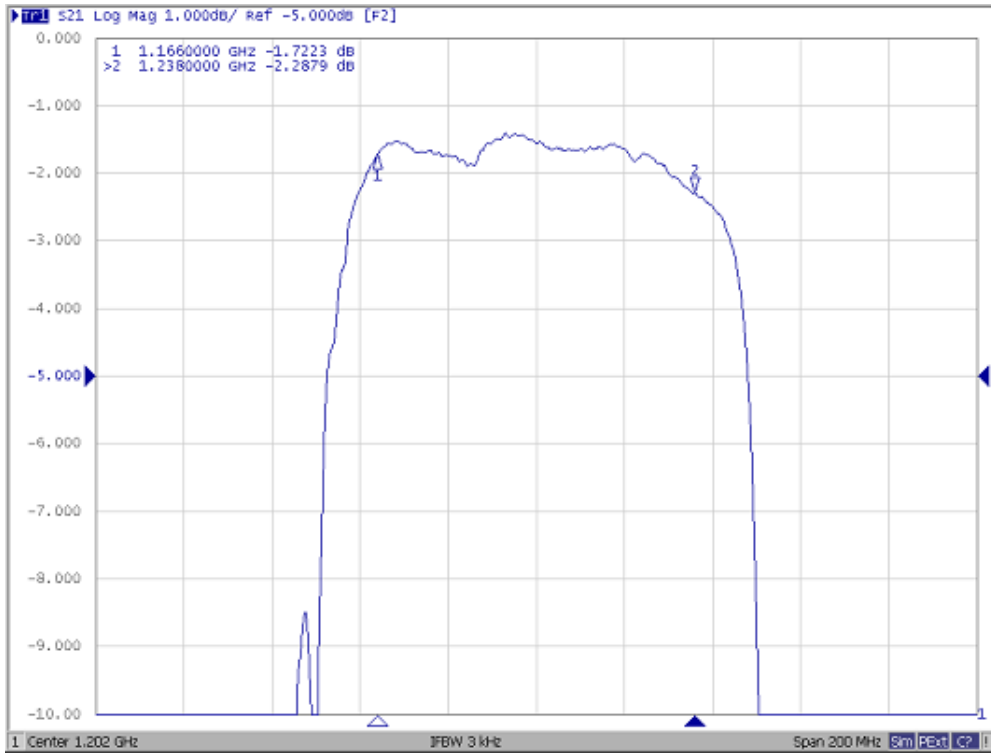
PCB Footprint

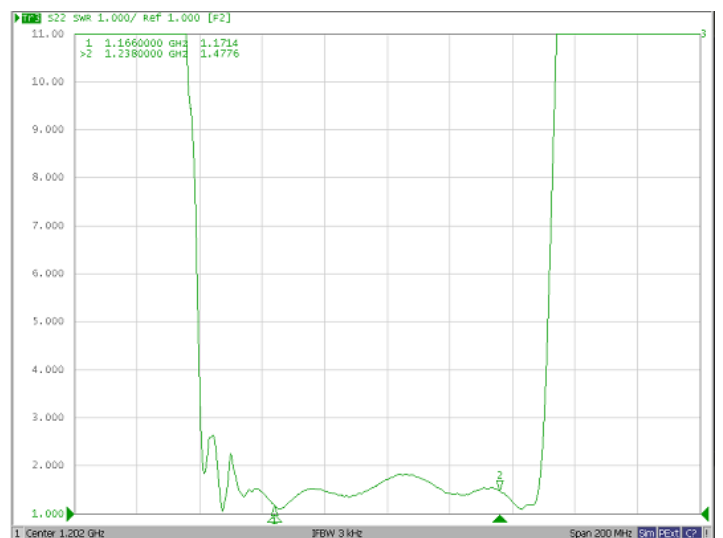
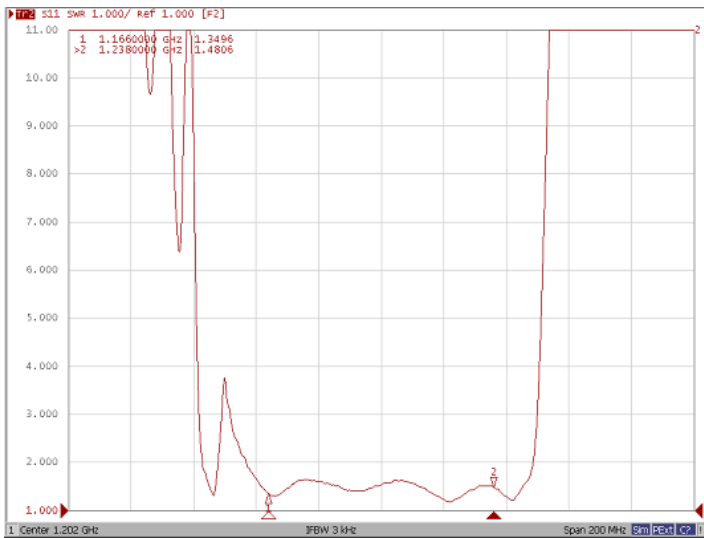
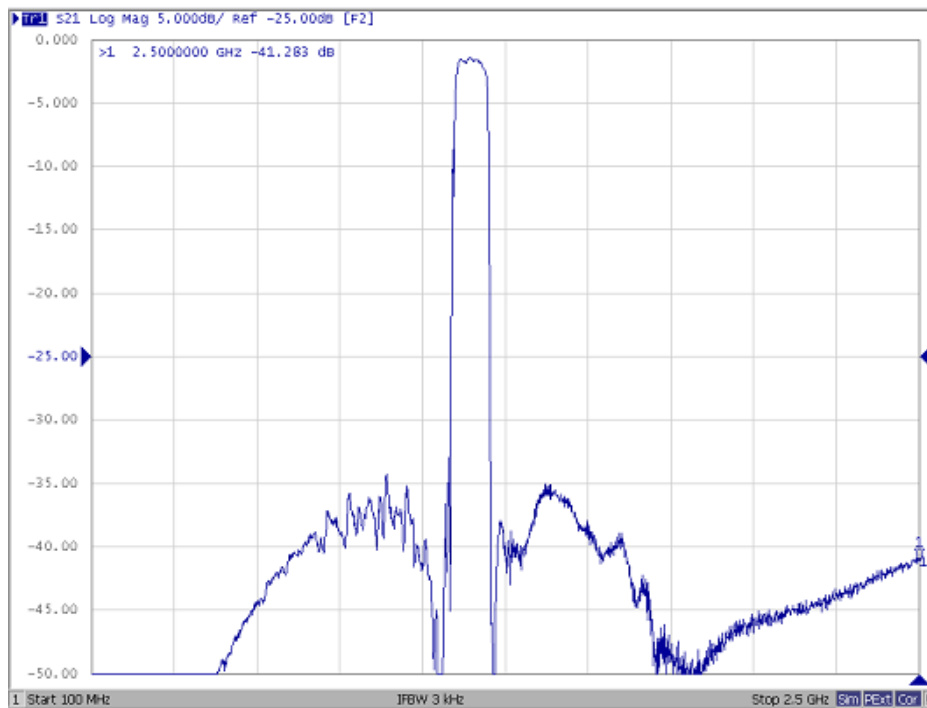


 : Land Pattern

Unit : mm

Frequency Characteristics



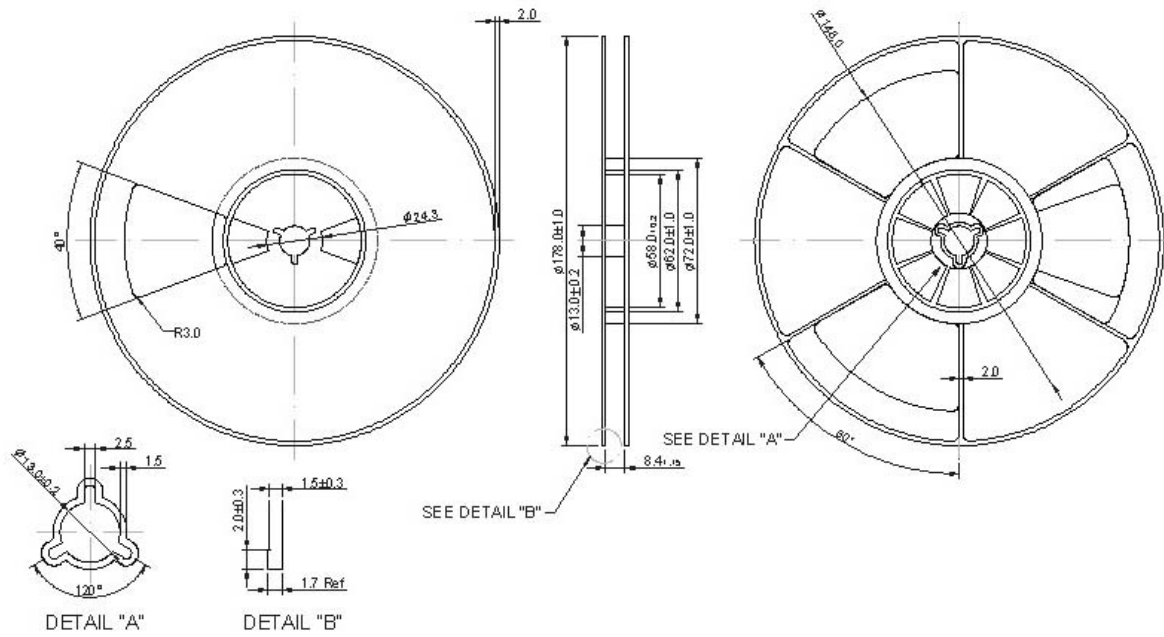


Packing

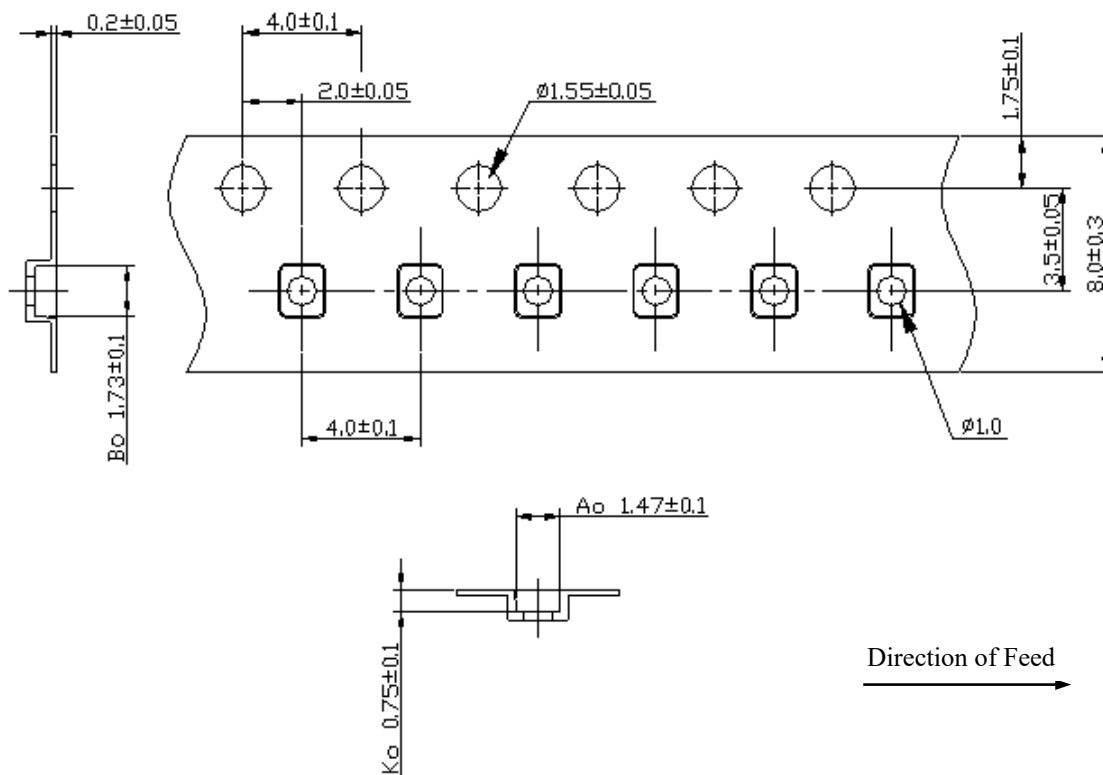
Reel Dimension

Tape and Reel Standard per ANSI/EIA-481

Reel Count:
7" = 3000
13" = 10,000



Tape Dimensions:



Recommended Reflow Profile

1. Preheating shall be fixed at 150~180°C for 60~90 seconds.
2. Ascending time to preheating temperature 150°C shall be 30 seconds min.
3. Heating shall be fixed at 220°C for 50~80 seconds and at 260°C +0/-5°C peak (10 seconds).
4. Time: 5 times maximum.

