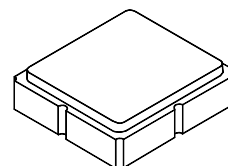


- SAW RF Filter for Sirius-XM Tuner with WCS band rejection 2332.5 MHz, 25 MHz Bandwidth
- 3.0 x 3.0 x 1.5 mm Surface-mount Case
- Input/Output Impedance 50Ω/50Ω
- Complies with Directive 2002/95/EC (RoHS)
- AEC-Q200 Qualified

SF2524E

**2332.5 MHz
SAW Filter**



SM3030-6

Absolute Maximum Ratings

Rating	Value	Units
Input Power Level	10	dBm
DC Voltage on any Non-ground Terminal	3	VDC
Operable Temperature Range	-40 to +105	°C
Storage Temperature Range	-40 to +125	°C
Moisture Sensitivity Level: 1		
Symbolization: G7, YWWS (Y= year, WW = week, S = Shift)		

Electrical Characteristics

Temperature range for specification : Tspec = -40°C to +105°C

Terminating source impedance : Zs = 50 Ω

Terminating load impedance : ZL = 50 Ω

Item	Unit	Min.	Typ.	Max.
Center Frequency Fc	MHz	-	2332.5	-
Min. Insertion Loss (2320~2345 MHz)	α dB	-	2.9	-
Max. Insertion Loss (2320~2345 MHz)	IL dB	-	4.6	7
Amplitude Ripple (2320~2324.5 MHz)	dB _{p-p}	-	1	2
Amplitude Ripple (2324.5~2328.2 MHz)	dB _{p-p}	-	0.2	1.2
Amplitude Ripple (2328.2~2332.5 MHz)	dB _{p-p}	-	0.2	1.2
Amplitude Ripple (2332.5~2334.38 MHz)	dB _{p-p}	-	0.3	1.2
Amplitude Ripple (2334.38~2336.25 MHz)	dB _{p-p}	-	0.3	1.2
Amplitude Ripple (2336.25~2337.75 MHz)	dB _{p-p}	-	0.2	1.2
Amplitude Ripple (2337.75~2341.25 MHz)	dB _{p-p}	-	0.3	1.2
Amplitude Ripple (2341.25~2343.125 MHz)	dB _{p-p}	-	0.2	1.2
Amplitude Ripple (2343.125~2345 MHz)	dB _{p-p}	-	0.5	2
VSWR (2320~2345 MHz)		-	1.9	2.2
Attenuation (refer to min. insertion loss α)				
100 ~ 800 MHz	dB	35	60	-
800 ~ 2100 MHz	dB	31	44	-
2100 ~ 2275 MHz	dB	32	36	-

2275 ~ 2288	MHz	dB	30	36	-
2288 ~ 2300	MHz	dB	25	33	-
2300 ~ 2310	MHz	dB	15	21	-
2310 ~ 2315	MHz	dB	3.5	6.5	-
2350 ~ 2355	MHz	dB	3.5	6	-
2355 ~ 2365	MHz	dB	13	19	-
2365 ~ 2377	MHz	dB	39	50	-
2377 ~ 2390	MHz	dB	35	55	-
2390 ~ 3000	MHz	dB	28	39	-
Temperature Coefficient		ppm/°C	-	-8	-

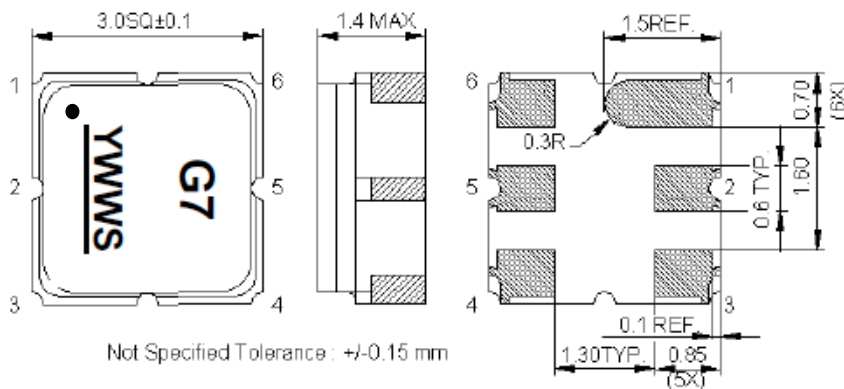


CAUTION: Electrostatic Sensitive Device. Observe precautions for handling.

NOTES:

1. The design, manufacturing process, and specifications of this device are subject to change.
2. US or International patents may apply.
3. RoHS compliant from the first date of manufacture.

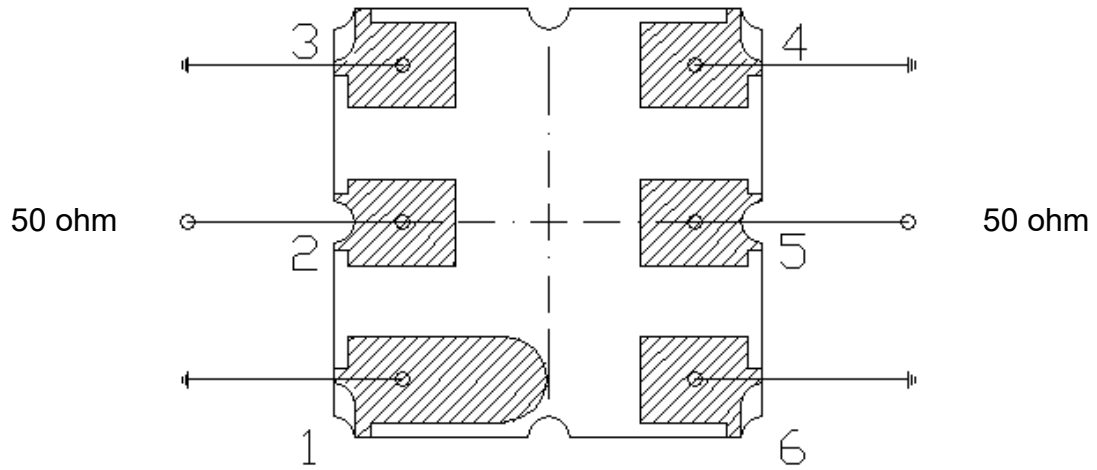
Outline Drawing



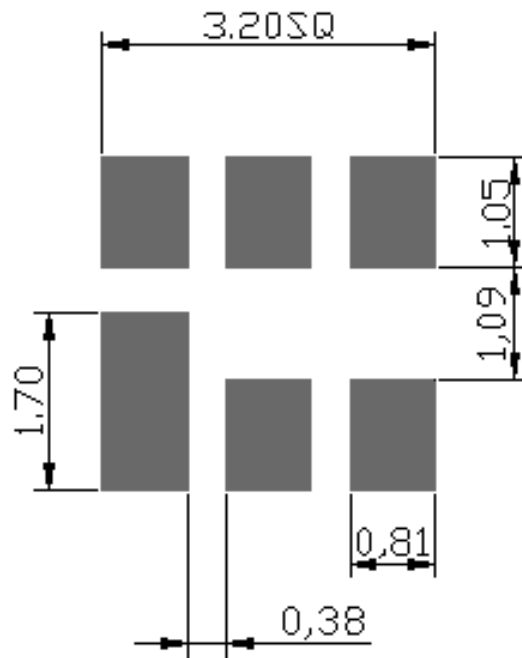
Not Specified Tolerance : +/-0.15 mm

- 2 : Input
- 5 : Output
- 1, 3, 4, 6 : Ground
- Unit : mm

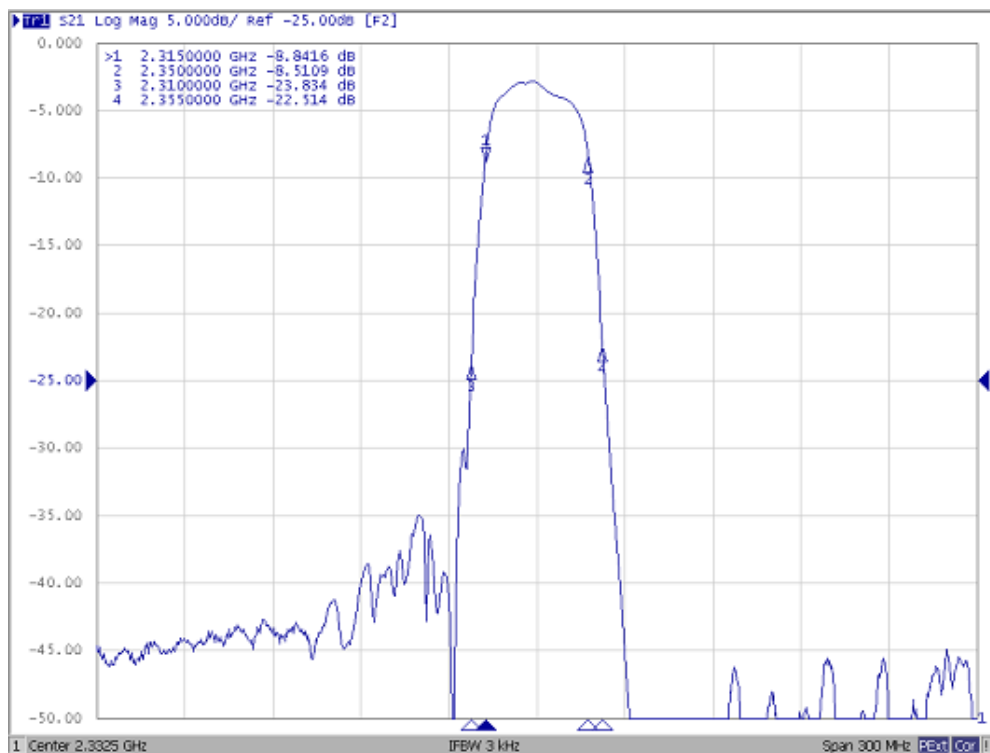
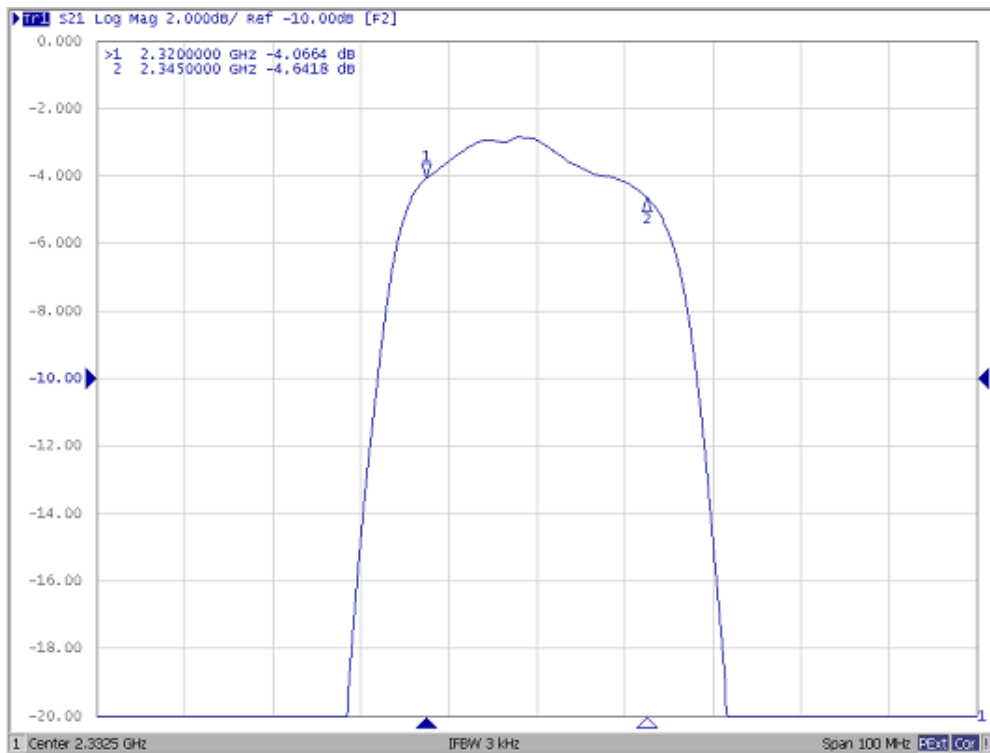
Measurement Circuit

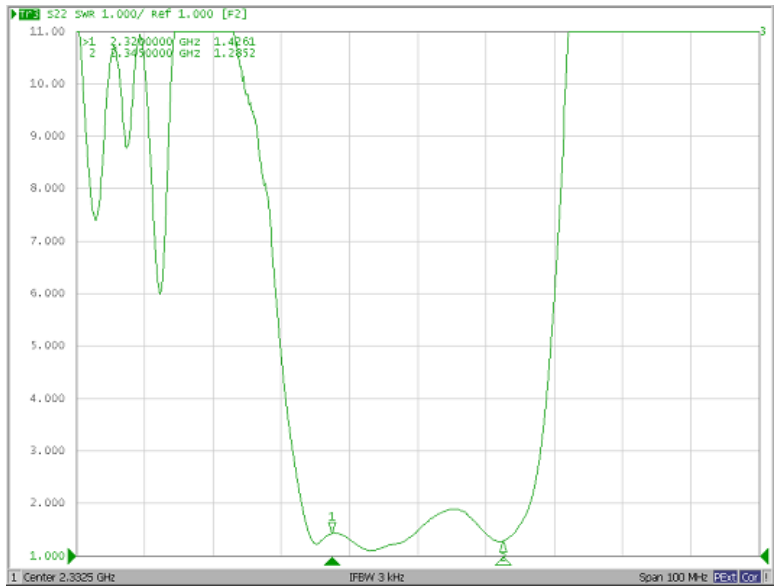
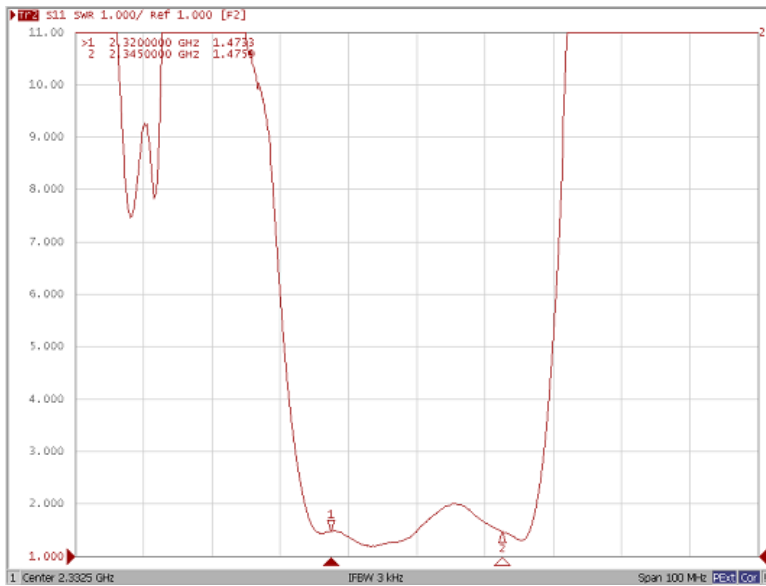
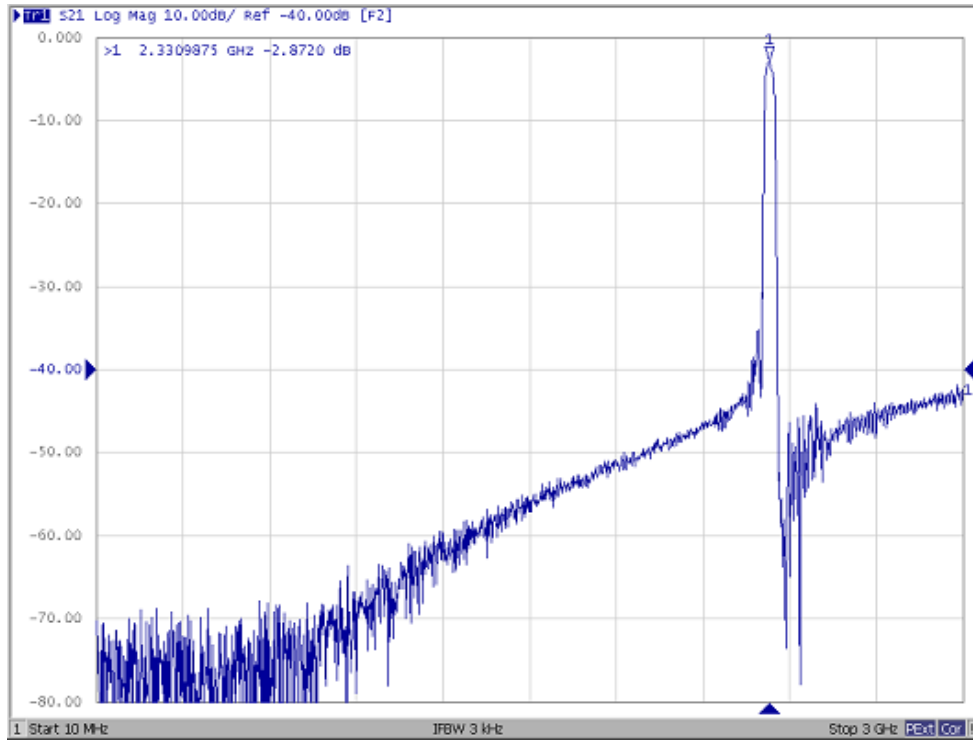


PCB Footprint



Frequency Characteristics



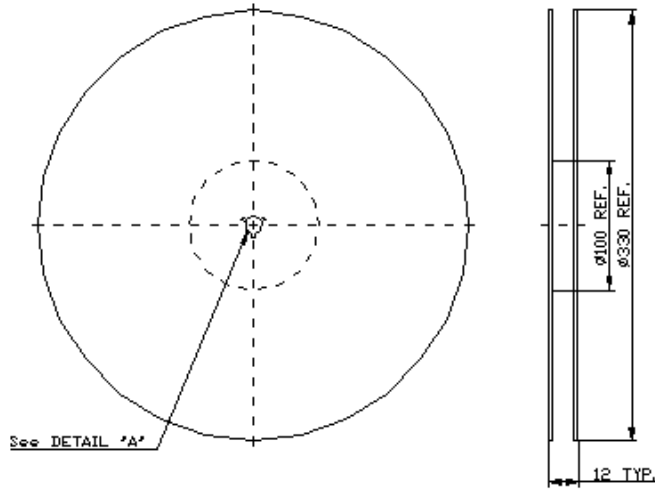


Packing

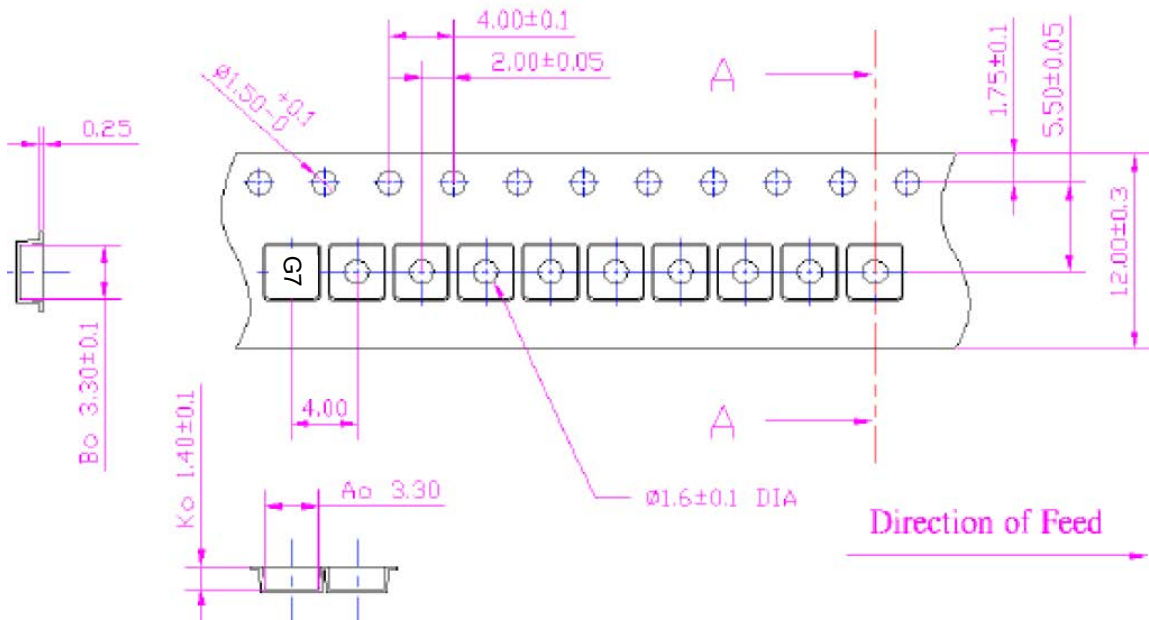
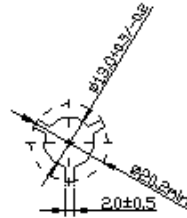
Reel Dimensions

Tape and Reel Standard per ANSI/EIA-481

Reel Count:
7" = 500
13" = 3000



Tape Dimensions



Recommended Reflow Profile

1. Preheating shall be fixed at 150~180°C for 60~90 seconds.
2. Ascending time to preheating temperature 150°C shall be 30 seconds min.
3. Heating shall be fixed at 220°C for 50~80 seconds and at 260°C +0/-5°C peak (10 seconds).
4. Time: 5 times maximum.

