

SF2525L

**2332.5 MHz
SAW Filter**



SM1109-5

MAXIMUM RATING:

- Input Power Level: 10 dBm
- DC Voltage : 3 V
- Operating Temperature: -40°C to +105°C
- Storage Temperature: -40°C to +125°C
- ESD Machine Mode : 50V
- ESD Human Body Mode : 100V
- Moisture Sensitive Level (MSL): Level 2a

ELECTRICAL CHARACTERISTICS:

Temperature range for specification : $T_{spec} = -40^{\circ}\text{C}$ to $+105^{\circ}\text{C}$

Terminating source impedance : $Z_s = 50 \Omega$

Terminating load impedance : $Z_L = 50 \Omega$

Item	Unit	Min.	Typ.	Max.
Center Frequency F_c	MHz	-	2332.5	-
Max. Insertion Loss (2320~2345 MHz)	IL		0.35	0.6 ¹⁾
Max. Insertion Loss (2320~2345 MHz)	IL	-	0.35	0.63
Amplitude Ripple (2320~2345 MHz)	dB _{p-p}	-	0.08	0.35
VSWR (2320~2345 MHz)		-	1.15	1.5
Attenuation (refer to 0 dB)				
698 ~ 894 MHz	dB	7	10	-
1710 ~ 1750 MHz	dB	5	8	-
1850 ~ 1990 MHz	dB	5	8	-
2400 ~ 2484 MHz	dB	7	10.5	-
2496 ~ 2690 MHz	dB	6	9.5	-
3400 ~ 3500 MHz	dB	9	10	-
Temperature Coefficient	ppm/K	-	-36	-

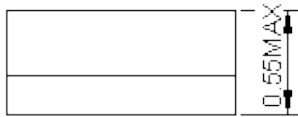
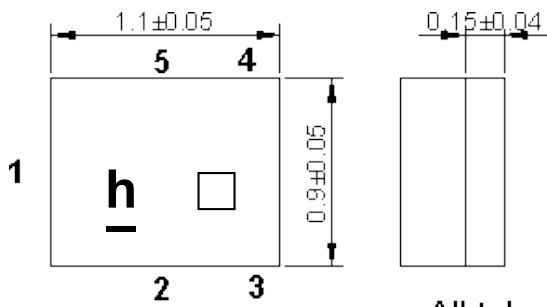
1) At room temperature 25°C only



CAUTION: Electrostatic Sensitive Device. Observe precautions for handling.

1. The design, manufacturing process, and specifications of this device are subject to change.
2. US or International patents may apply.
3. RoHS compliant from the first date of manufacture.

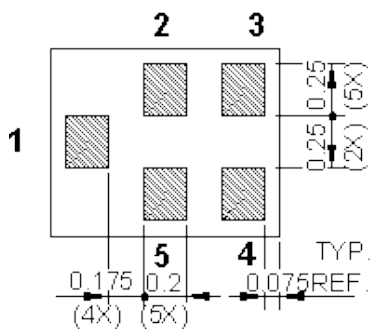
OUTLINE DRAWING:



All tolerances are +/-0.05 mm unless otherwise specified
Coplanarity : 0.1 mm max.

1 to 5 : Pin No.

Unit : mm

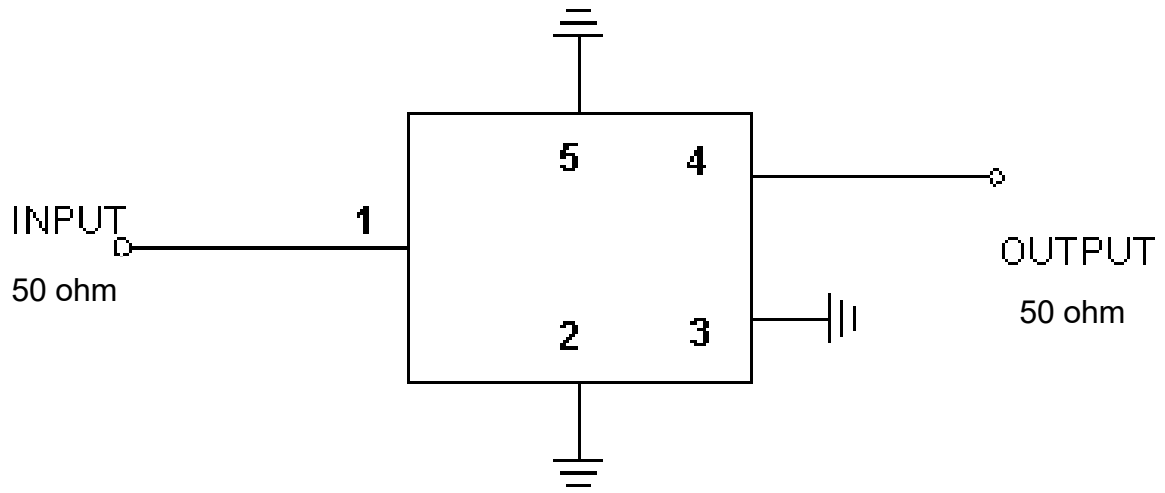


Pin No.	Symbol	Function
1	IN	Input
2	GND	Ground
3	GND	Ground
4	OUT	Output
5	GND	Ground

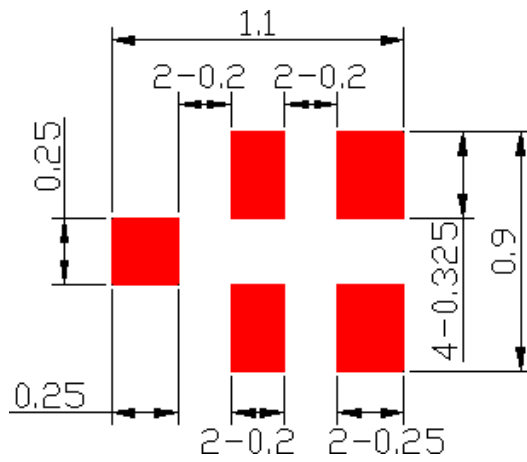
□ : Year/Month Code (Follow the table)

YEAR/Month	1	2	3	4	5	6	7	8	9	10	11	12
2013/2021	A	B	C	D	E	F	G	H	J	K	L	M
2014/2022	N	P	Q	R	S	T	U	V	W	X	Y	Z
2015/2023	a	b	c	d	e	f	g	h	j	k	l	m
2016/2024	n	p	q	r	s	t	u	v	w	x	y	z
2017/2025	A	B	C	D	E	F	G	H	J	K	L	M
2018/2026	N	P	Q	R	S	T	U	V	W	X	Y	Z
2019/2027	a	b	c	d	e	f	g	h	j	k	l	m
2020/2028	n	p	q	r	s	t	u	v	w	x	y	z

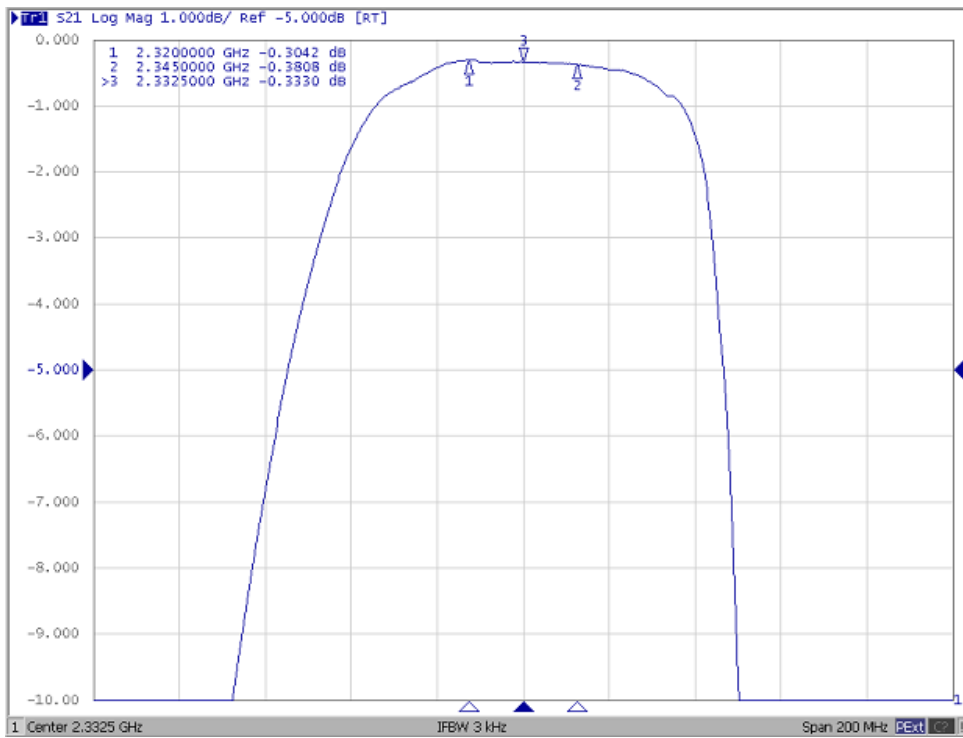
MEASUREMENT CIRCUIT:

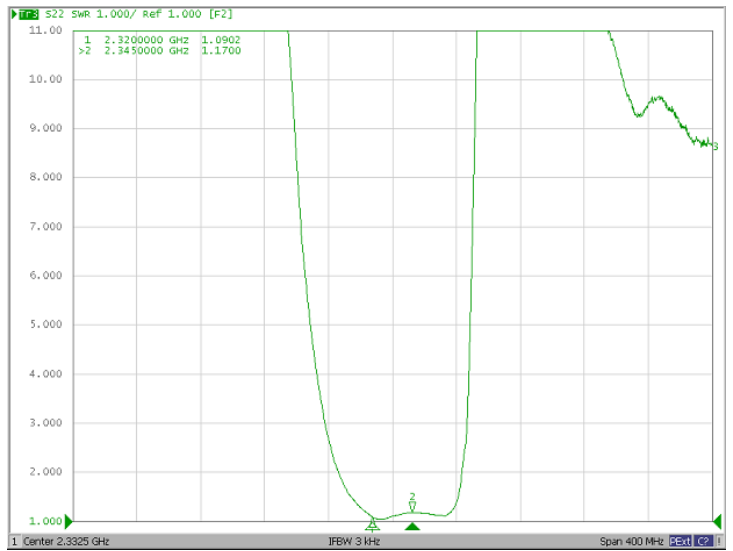
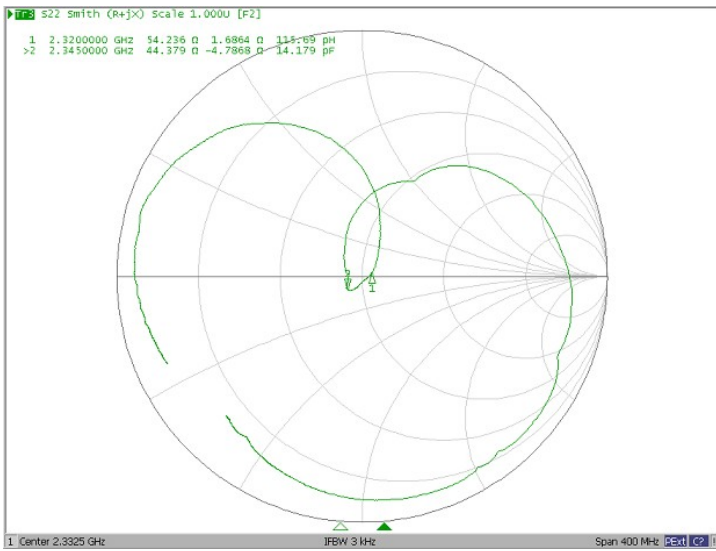
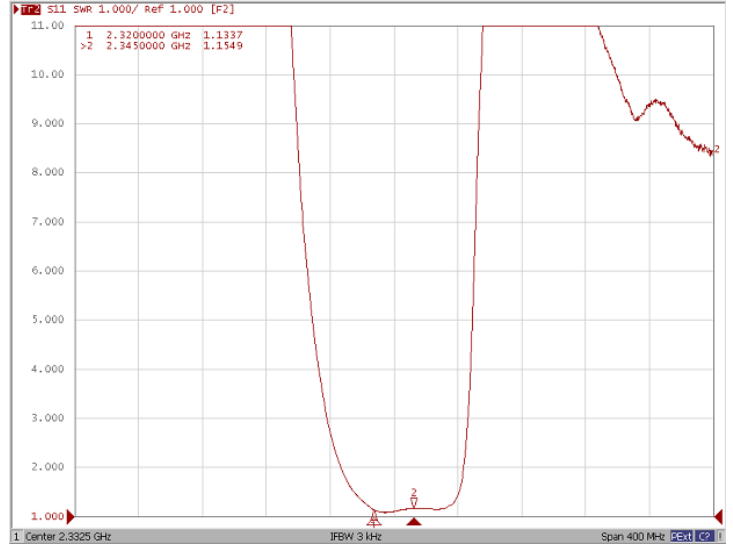
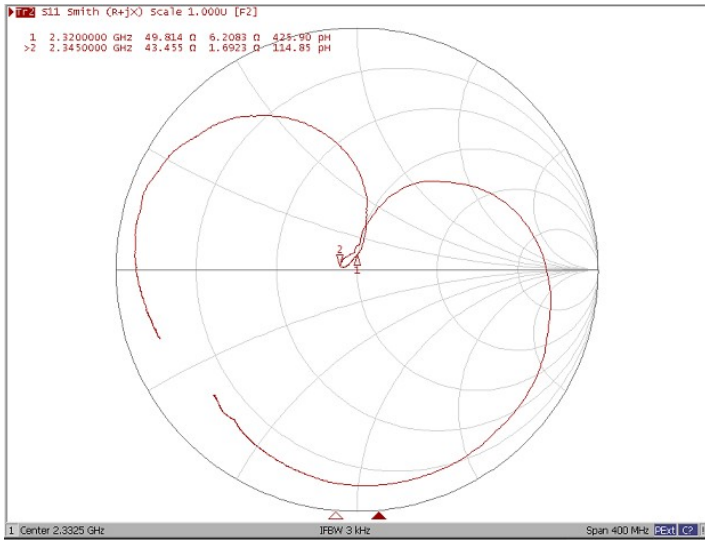


PCB Footprint:



Frequency Characteristics:

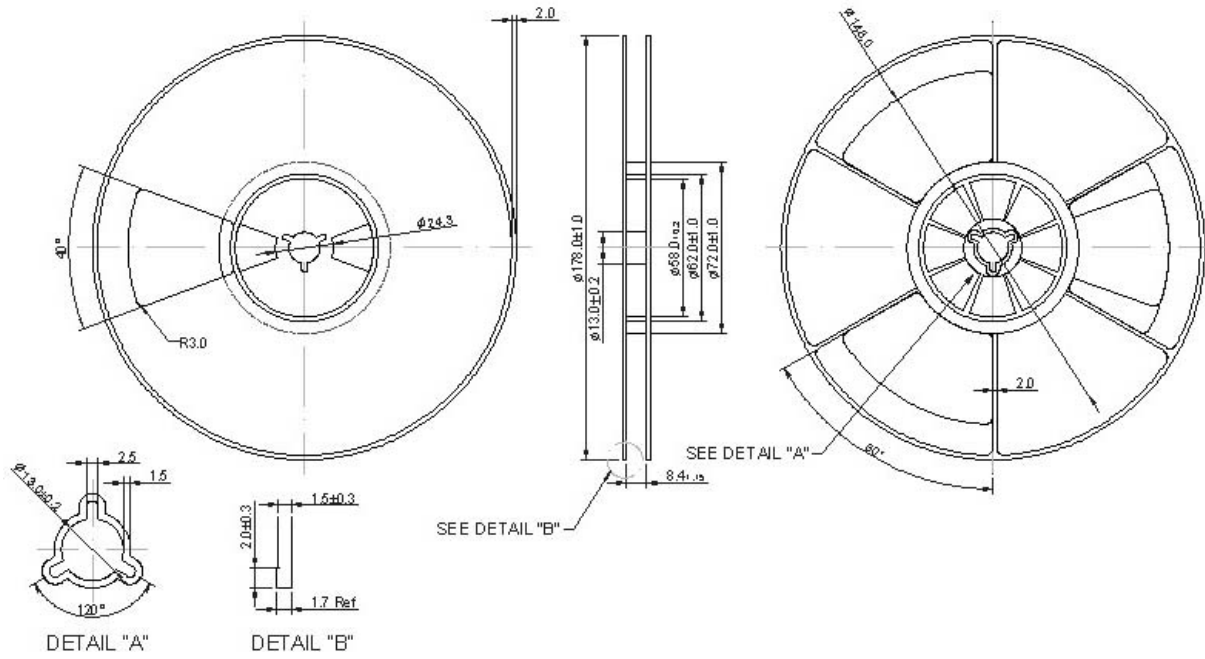




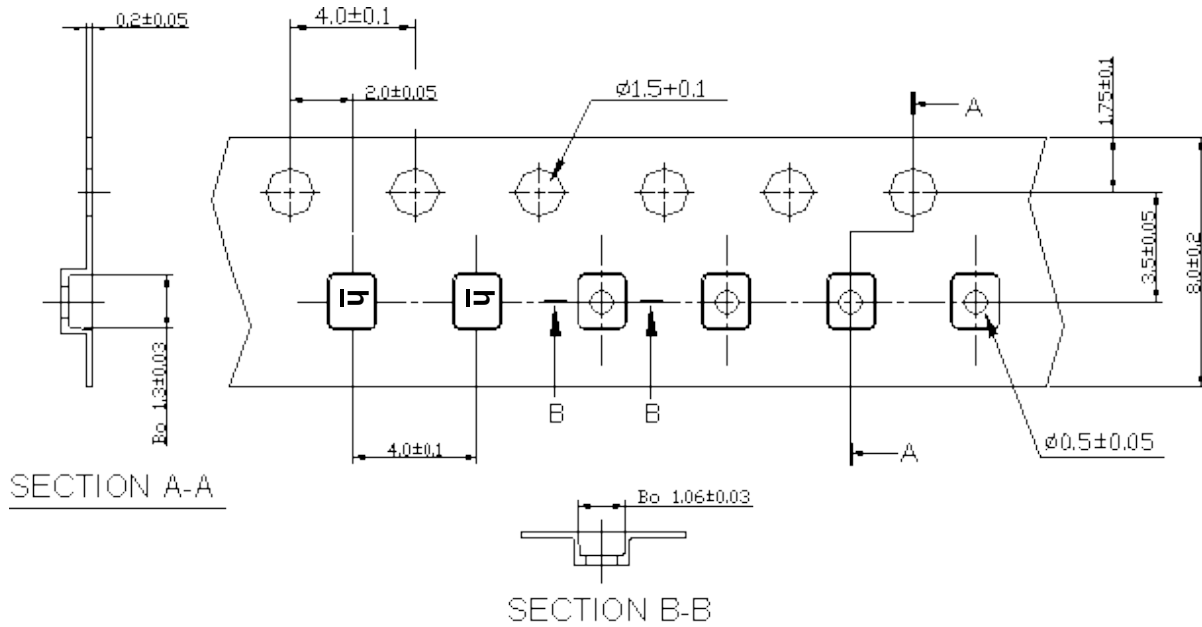
PACKING:

1. REEL DIMENSION

Reel Count:
 7" = 3000
 13" = 10,000



2. TAPE DIMENSION



Direction of Feed



RECOMMENDED REFLOW PROFILE :

1. Preheating shall be fixed at 150~180°C for 60~90 seconds.
2. Ascending time to preheating temperature 150°C shall be 30 seconds min.
3. Heating shall be fixed at 220°C for 50~80 seconds and at 245~260°C peak (min. 10sec).
4. Time : 2 times.

