



SM1109-5

MAXIMUM RATING:

- Input Power Level: 10 dBm
- DC Voltage: 3 V
- Operating Temperature: -20 °C to +85 °C
- Storage Temperature Range: -40 °C to +85 °C
- Moisture Sensitivity Level: Level 3 (MSL 3)

ELECTRICAL CHARACTERISTICS:

Terminating source impedance: $Z_s = 50//12nH \Omega$ (Single-ended)

Terminating load impedance: $Z_L = 50//12nH \Omega$ (Single-ended)

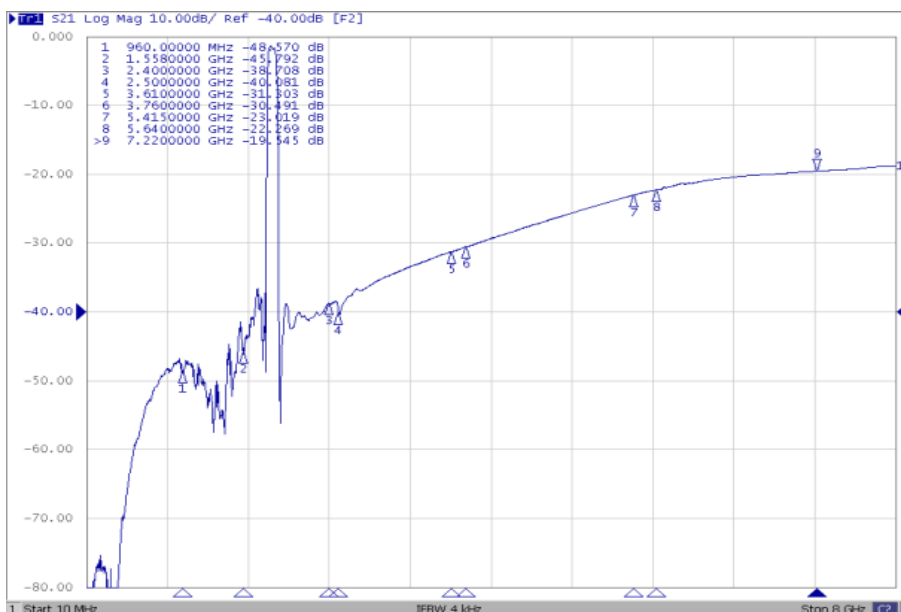
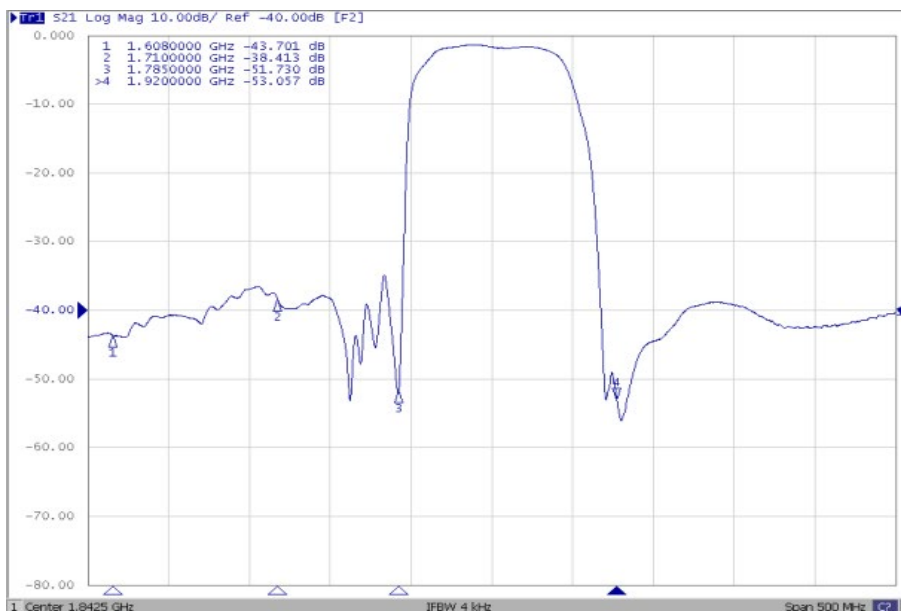
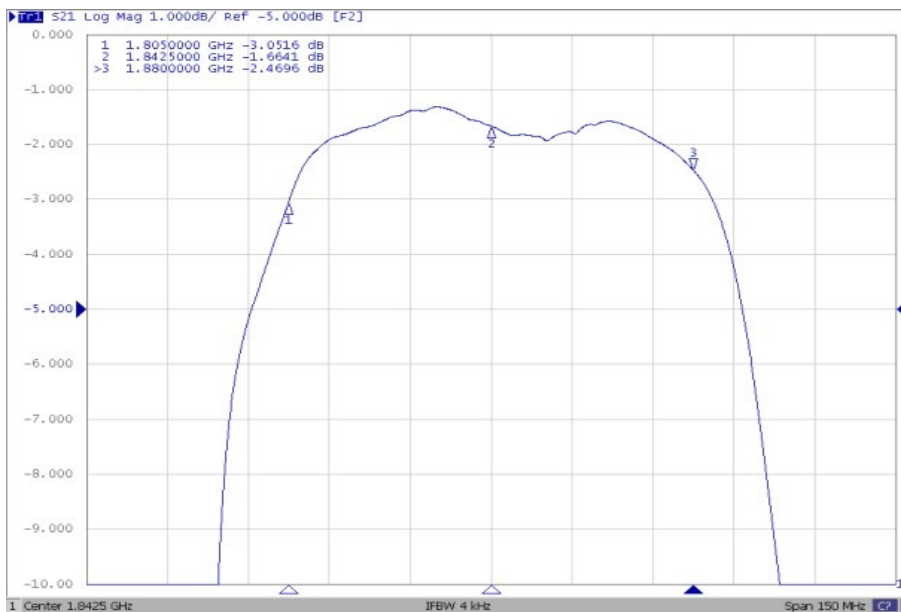
Item	Unit	Min.	Typ.	Max.
Center Frequency Fc	MHz	-	1842.5	-
Insertion Loss (1805 ~ 1880 MHz) IL	dB	-	3.1	4.0
Amplitude Ripple (1805 ~ 1880 MHz)	dB _{p-p}	-	1.8	3.0
VSWR (1805 ~ 1880 MHz)	-	-	2.0	2.5
Attenuation (Reference level from 0 dB)				
DC ~ 960 MHz	dB	40	46	-
1558 ~ 1608 MHz	dB	30	43	-
1710 ~ 1785 MHz	dB	20	37	-
1920 ~ 2400 MHz	dB	30	38	-
2400 ~ 2500 MHz	dB	30	38	-
2500 ~ 3610 MHz	dB	20	31	-
3610 ~ 3760 MHz	dB	20	30	-
3760 ~ 5415 MHz	dB	15	23	-
5415 ~ 5640 MHz	dB	15	22	-
5640 ~ 7220 MHz	dB	10	19	-
7220 ~ 7520 MHz	dB	10	19	-
7520 ~ 8000 MHz	dB	8	18	-



CAUTION: Electrostatic Sensitive Device. Observe precautions for handling.

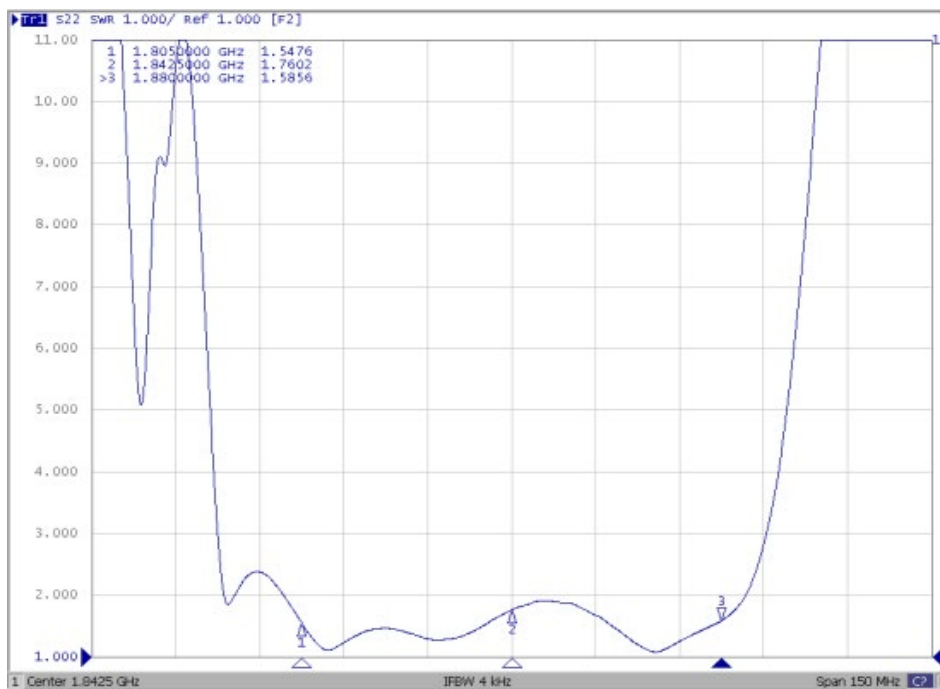
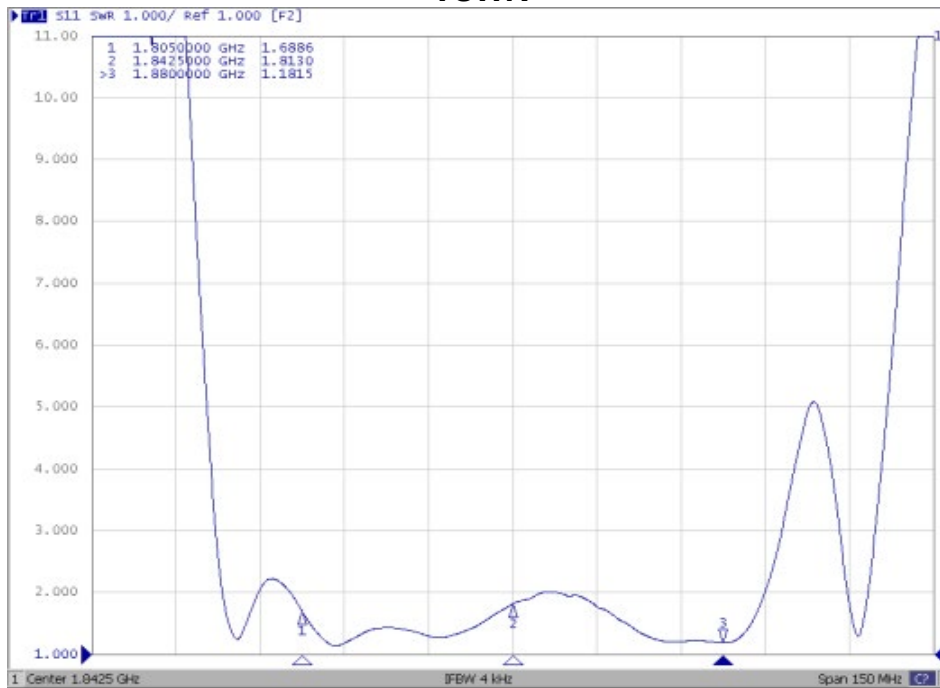
1. The design, manufacturing process, and specifications of this device are subject to change.
2. US or International patents may apply.
3. RoHS compliant from the first date of manufacture.

FREQUENCY CHARACTERISTIC:

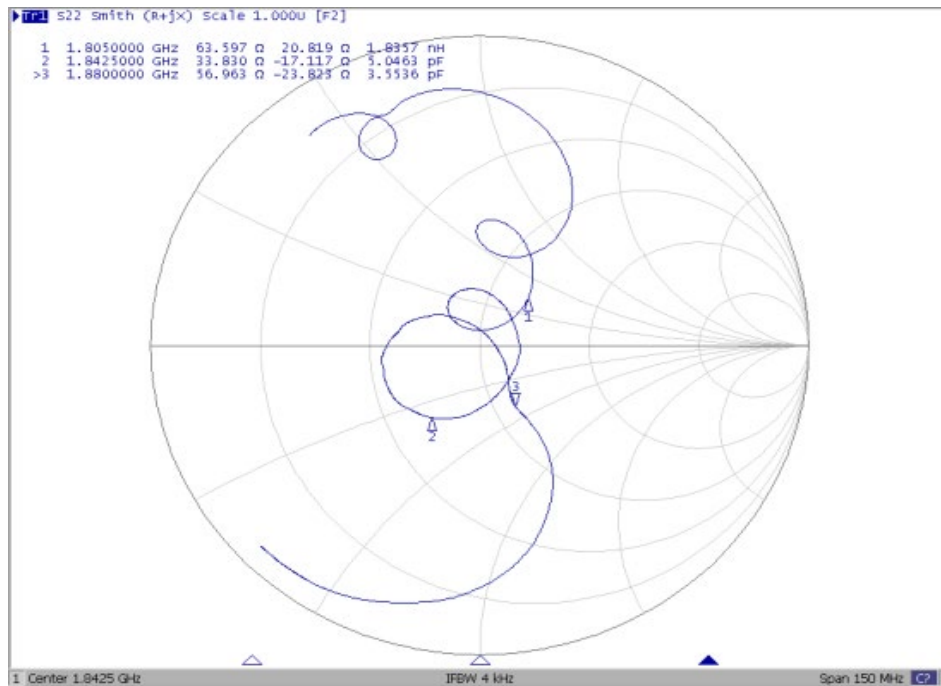
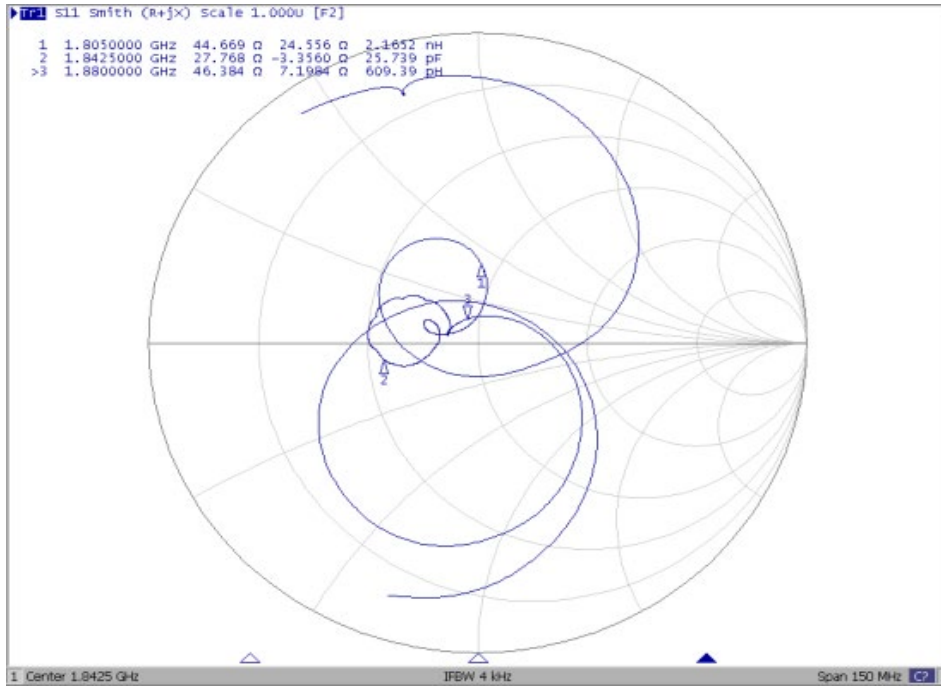


Reflection Functions:

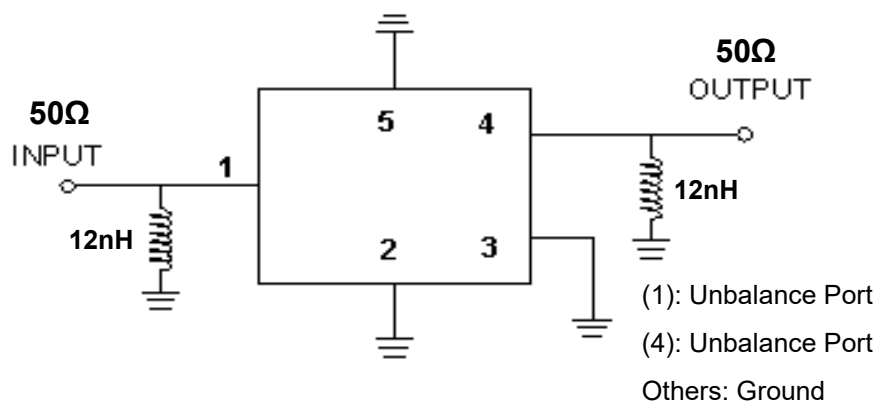
VSWR



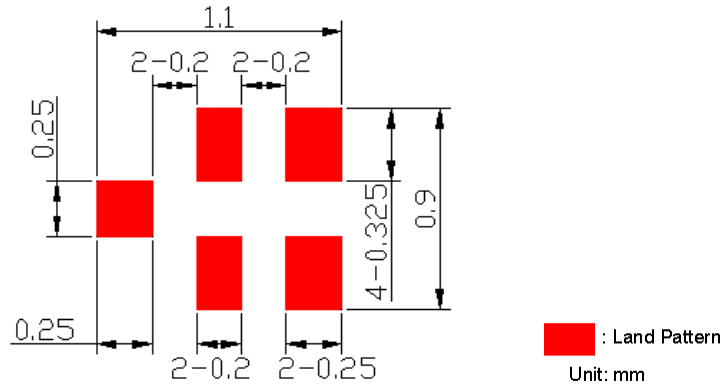
Smith Chart



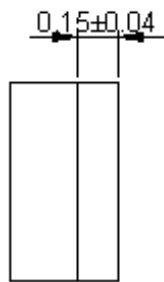
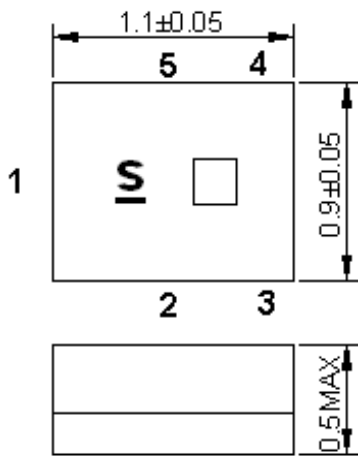
MEASUREMENT CIRCUIT:



PCB Footprint:

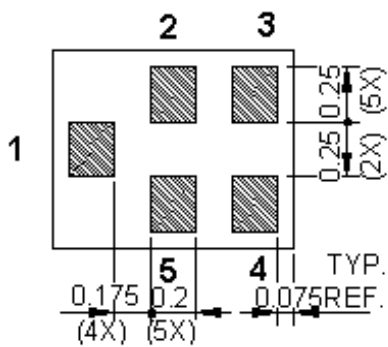


OUTLINE DRAWING:



All tolerances are +/-0.05 mm unless otherwise specified
Coplanarity : 0.1 mm max.

1 to 5 : Pin No.
Unit : mm



Pin No.	Symbol	Function
1	IN	Input
2	GND	Ground
3	GND	Ground
4	OUT	Output
5	GND	Ground

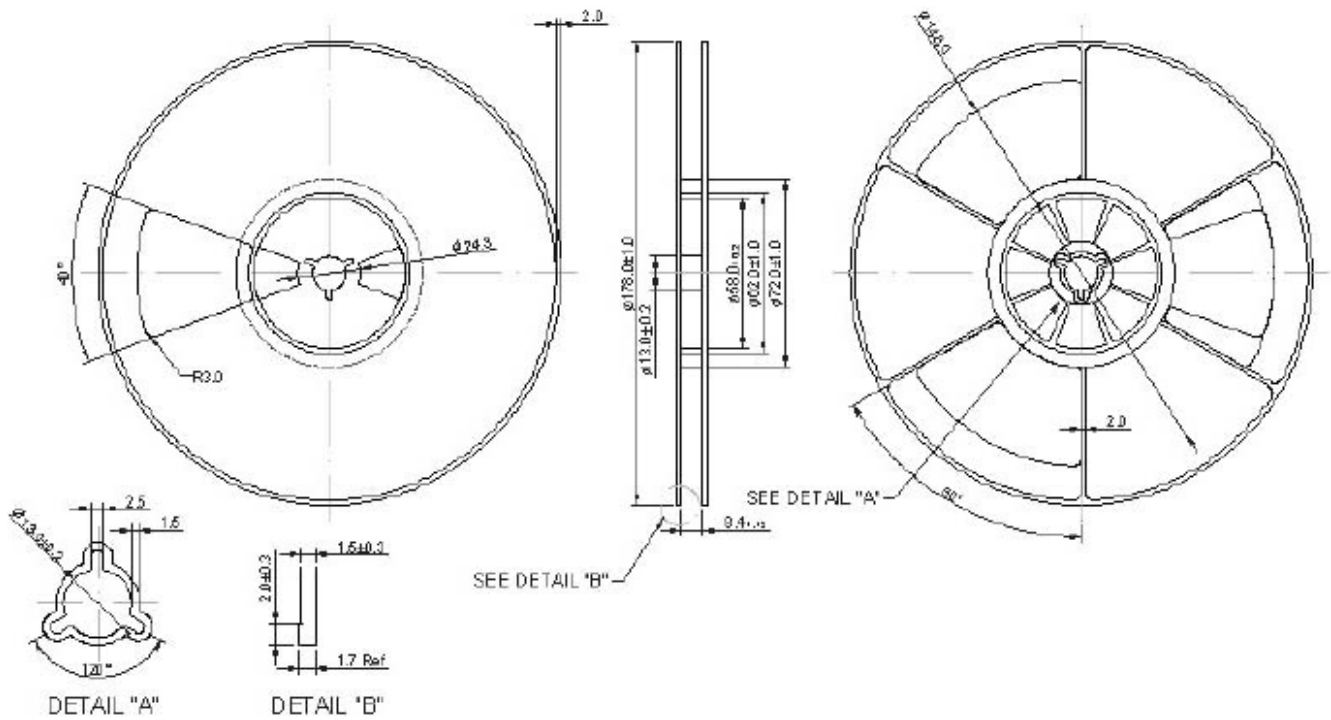
Marking description:

- s** : part symbol (small letter)
- : Year/Month Code

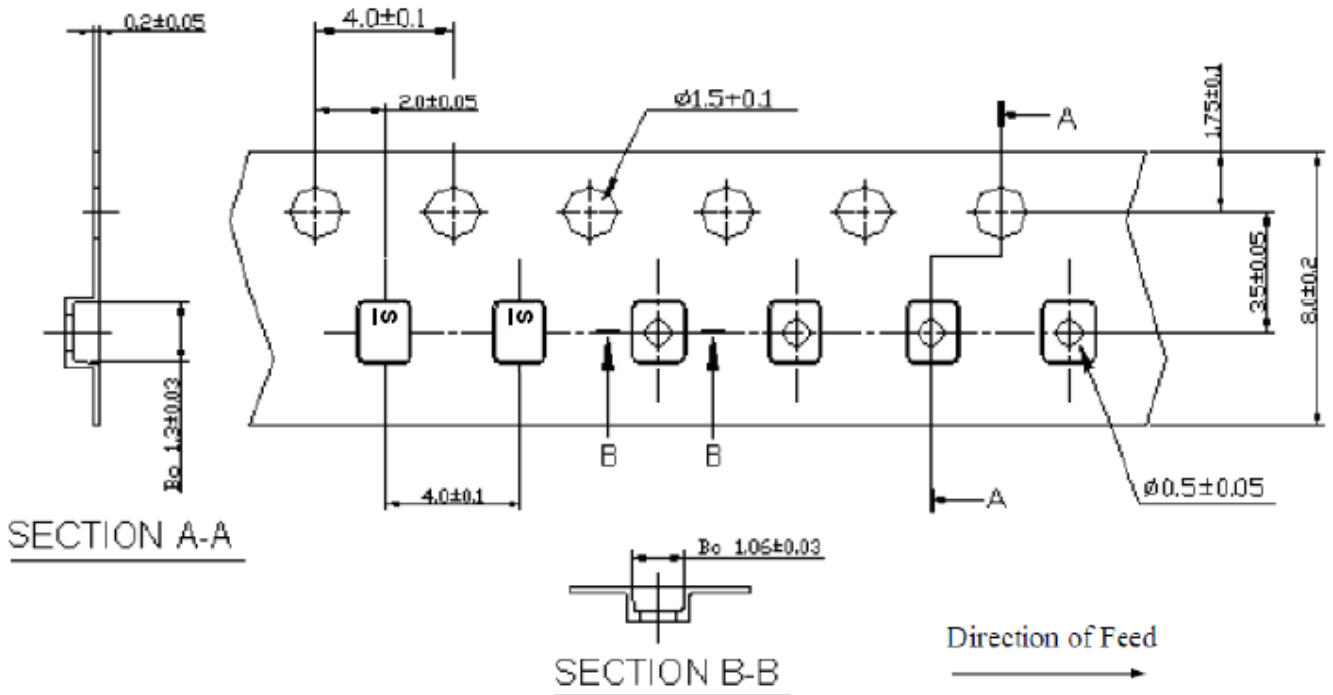
PACKING:

Reel Count: 7" = 3000

1. REEL DIMENSION



2. TAPE DIMENSION



RECOMMENDED REFLOW PROFILE:

1. Preheating shall be fixed at 150~180°C for 60~90 seconds.
2. Ascending time to preheating temperature 150°C shall be 30 seconds min.
3. Heating shall be fixed at 220°C for 50~80 seconds and at 260°C+0/-5°C peak (20~40sec).
4. Time: 2 times.

