

**SF2547LM**

**2655.0 MHz  
SAW Filter**



**SM1109**

**MAXIMUM RATING:**

- Maximum Input Power: 10 dBm
- DC voltage: 0 V
- Operating Temperature: -40°C to +85°C
- Storage Temperature: -40°C to +85°C
- Moisture Sensitivity Level: Level 1 (MSL 1)
- ESD 50V(MM) 100V(HBM)

**ELECTRICAL CHARACTERISTICS:**

Terminating source impedance:  $Z_s = 50\Omega//6.9nH$  (Single)

Terminating load impedance:  $Z_L = 50\Omega//12nH$  (Single)

Parameters Description		Unit	Mini.	Typical	Max.
<b>Center Frequency (Fo)</b>		MHz	-	2655.0	-
<b>Insertion Loss</b>	<b>2620.0 ~ 2690.0 MHz</b>	dB	-	2.4	3.0
<b>Amplitude Ripple</b>		dB <sub>p-p</sub>	-	1.2	2.0
<b>Input VSWR</b>		-	-	2.1	2.3
<b>Output VSWR</b>		-	-	2.1	2.3
<b>Attenuation</b>					
<b>10 ~ 2400.0 MHz</b>		dB	25	31	-
<b>45.0 MHz</b>		dB	50	80	-
<b>2400.0 ~ 2500.0 MHz</b>		dB	25	33	-
<b>2500.0 ~ 2570.0 MHz</b>		dB	33	38	-
<b>2570.0 ~ 2600.0 MHz</b>		dB	2	4	-
<b>2775.0 ~ 6000.0 MHz</b>		dB	25	33	-
<b>7620.0 ~ 7830.0 MHz</b>		dB	15	28	-
<b>7860.0 ~ 8000.0 MHz</b>		dB	15	31	-

Notes : (1) With Matching Network .

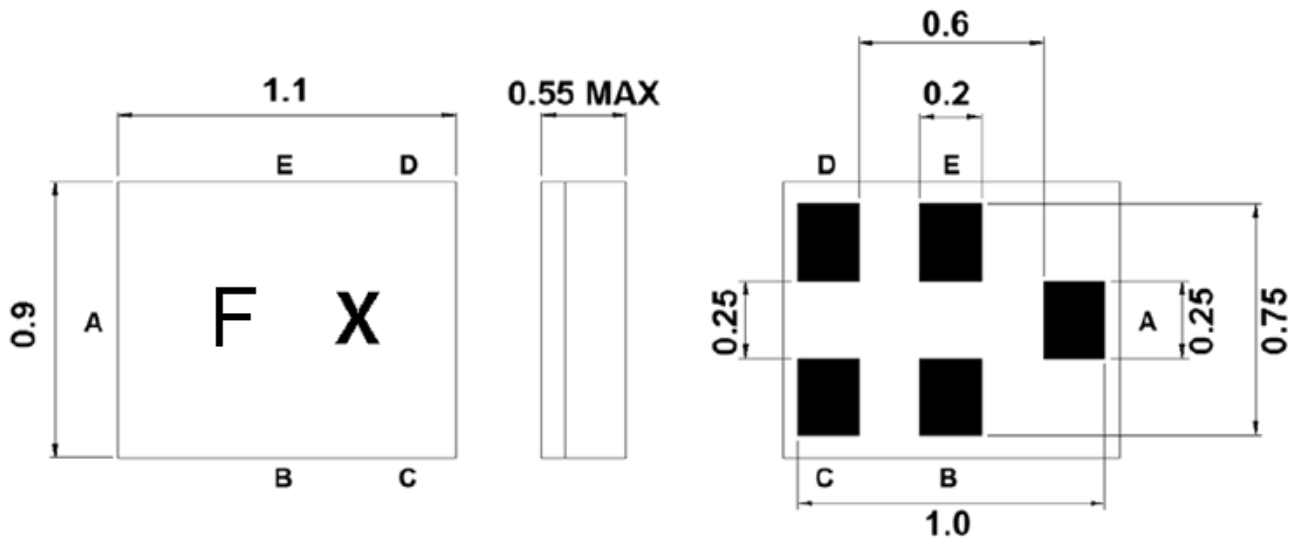


**CAUTION: Electrostatic Sensitive Device. Observe precautions for handling.**

**NOTES:**

1. The design, manufacturing process, and specifications of this device are subject to change.
2. US or International patents may apply.
3. RoHS compliant from the first date of manufacture.

**OUTLINE DRAWING:**



Pin Description	
B, C, E	Ground
A	Input
D	Output

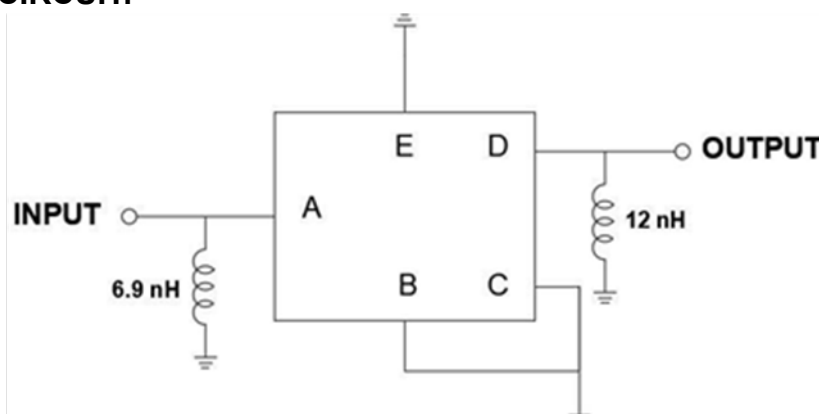
**Marking Descriptions:**

**(Q) : Series Number**

**X : Year/Month Code (Follow the table)**

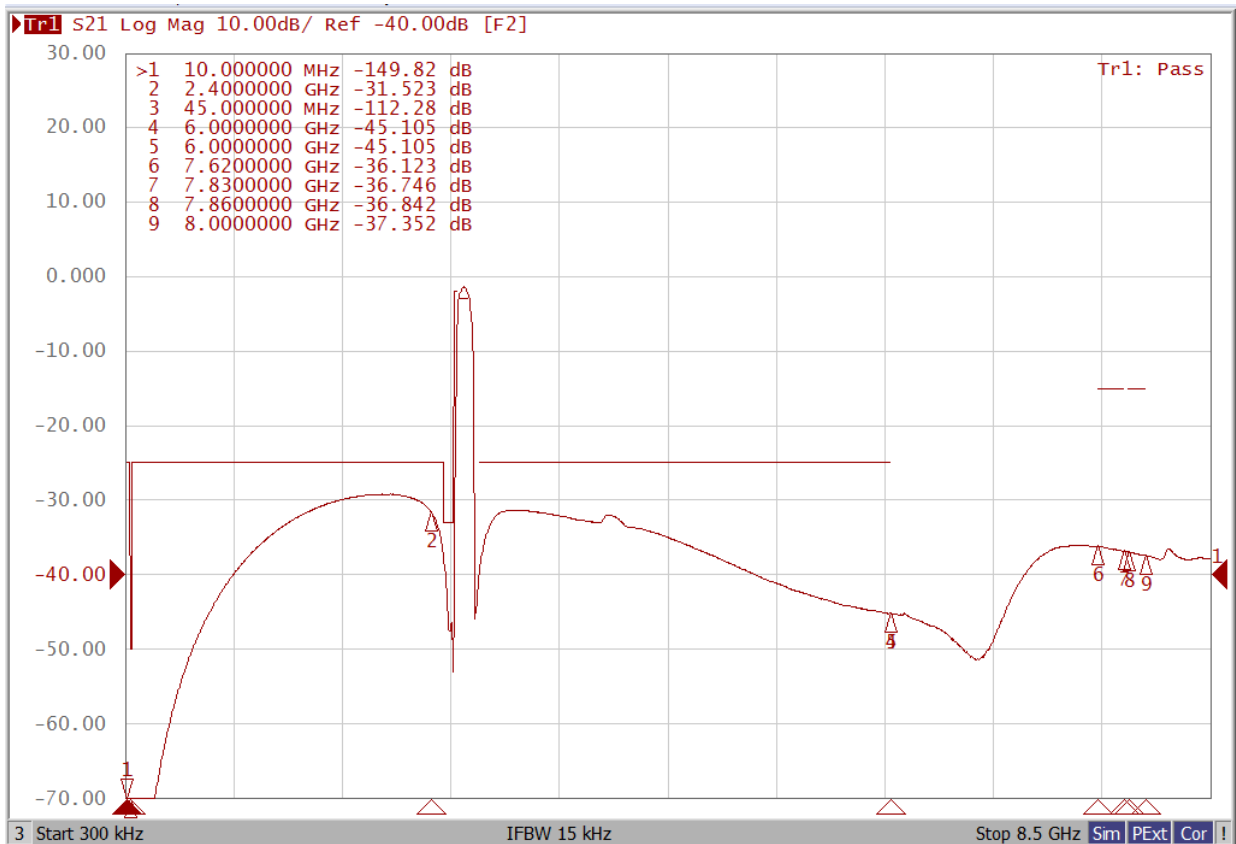
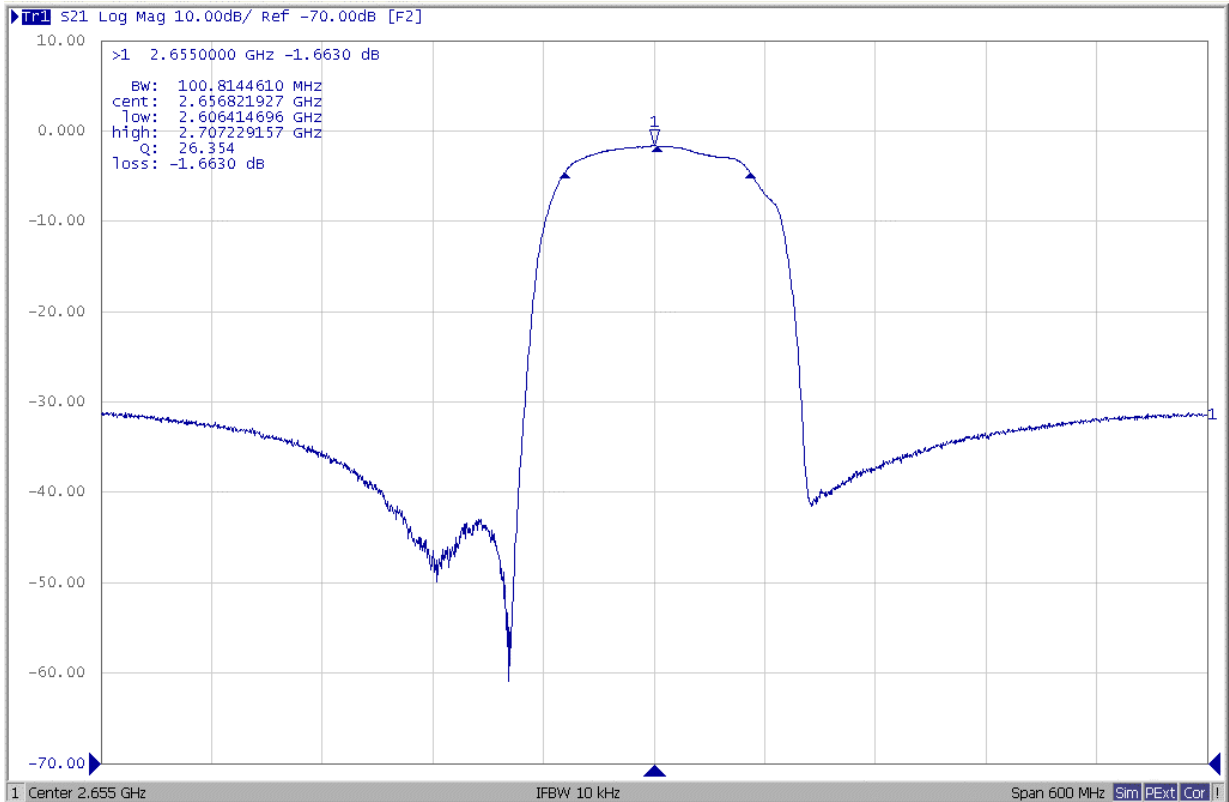
Year	Jan	Feb	Mar	Apr	May	Jun	Jul	Aug	Sep	Oct	Nov	Dec
2017	<u>A</u>	<u>B</u>	<u>C</u>	<u>D</u>	<u>E</u>	<u>F</u>	<u>G</u>	<u>H</u>	<u>J</u>	<u>K</u>	<u>L</u>	<u>M</u>
2018	<u>N</u>	<u>P</u>	<u>Q</u>	<u>R</u>	<u>S</u>	<u>T</u>	<u>U</u>	<u>V</u>	<u>W</u>	<u>X</u>	<u>Y</u>	<u>Z</u>
2019	<u>a</u>	<u>b</u>	<u>c</u>	<u>d</u>	<u>e</u>	<u>f</u>	<u>g</u>	<u>h</u>	<u>i</u>	<u>k</u>	<u>l</u>	<u>m</u>
2020	<u>n</u>	<u>p</u>	<u>q</u>	<u>r</u>	<u>s</u>	<u>t</u>	<u>u</u>	<u>v</u>	<u>w</u>	<u>x</u>	<u>y</u>	<u>z</u>
2021	A	B	C	D	E	F	G	H	J	K	L	M
2022	N	P	Q	R	S	T	U	∇	W	X	Y	Z
2023	a	b	c	d	e	f	g	h	j	k	l	m
2024	n	p	q	r	s	t	u	v	w	x	y	z

**MEASUREMENT CIRCUIT:**



# FREQUENCY CHARACTERISTICS:

## Frequency Response



## VSWR

**S11**

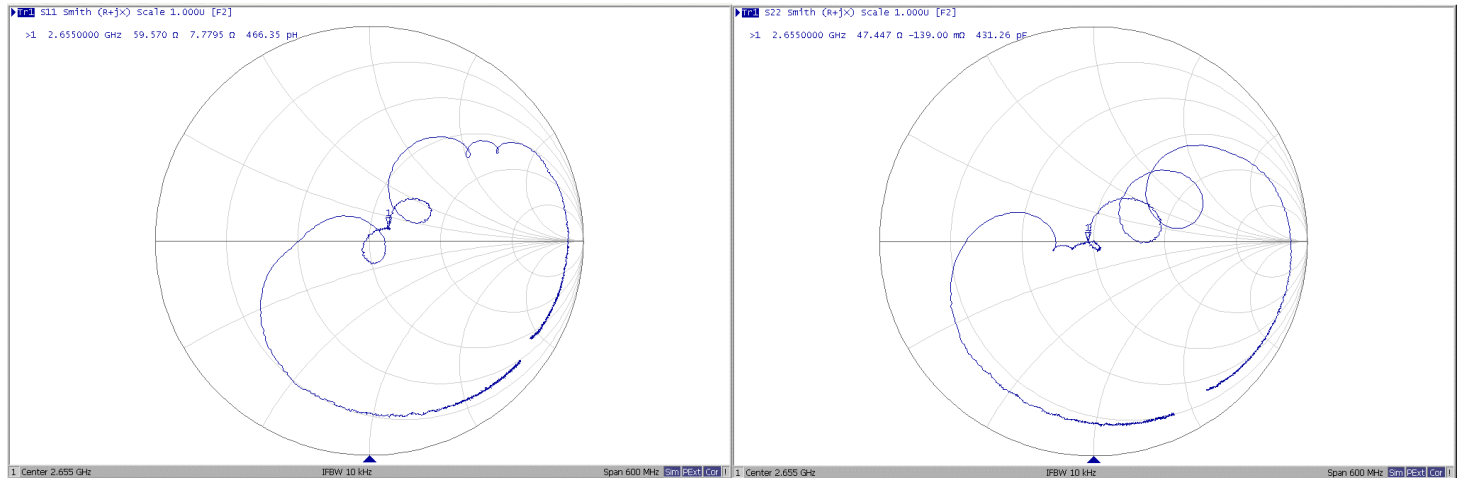
**S22**



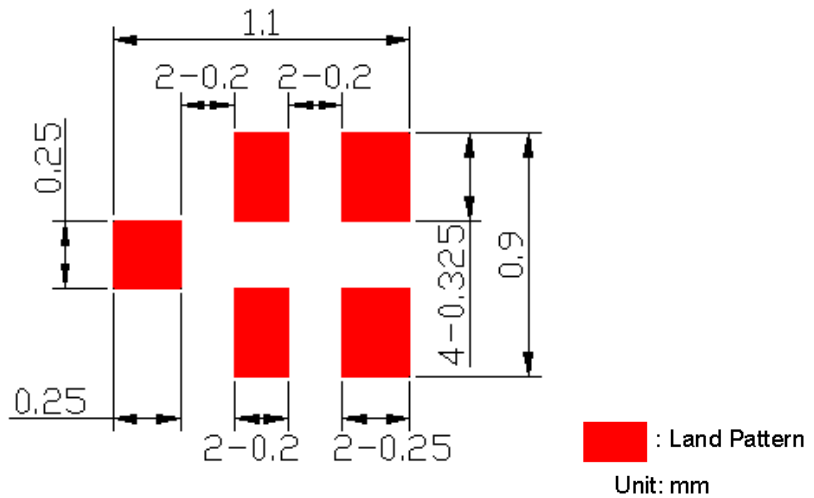
## Smith Chart

**S11**

**S22**

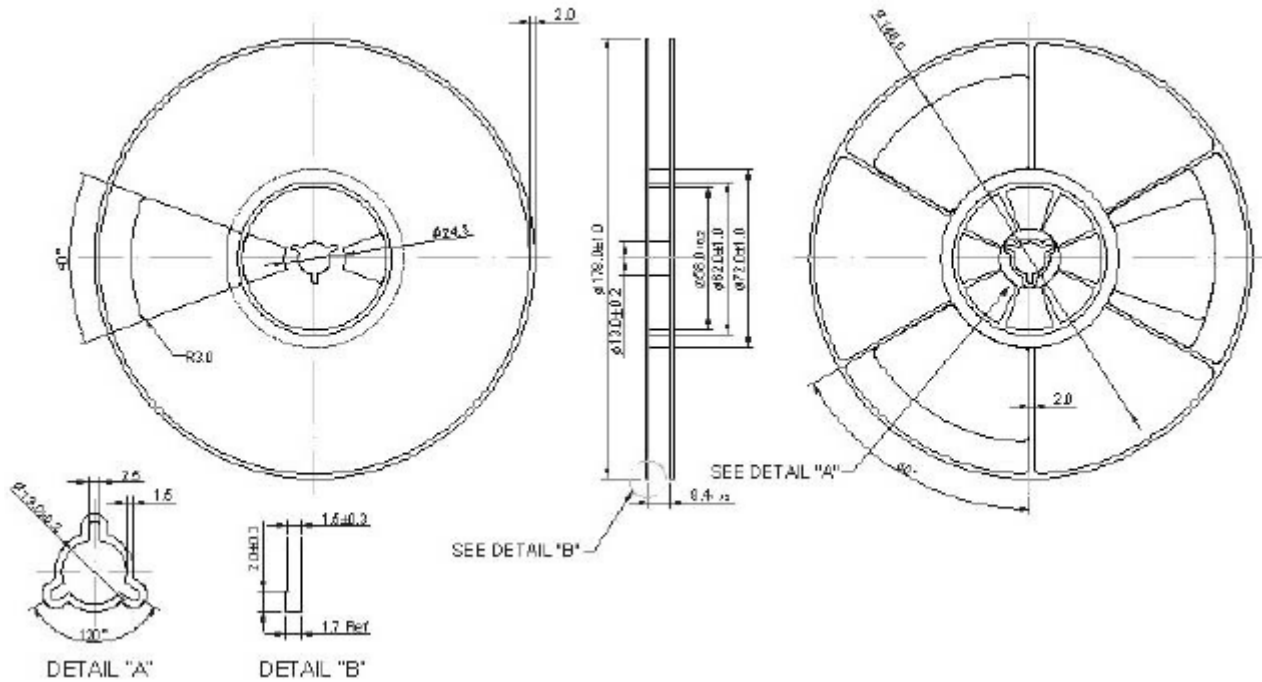


### PCB Footprint:

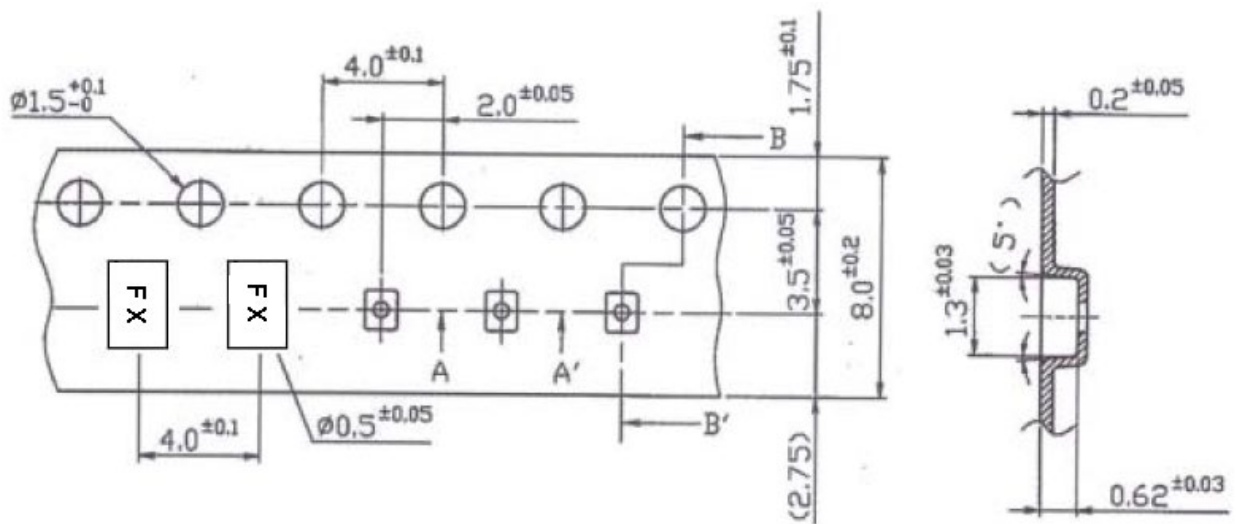


**PACKING:**  
REEL DIMENSION

Reel Count  
7" = 3000  
13" = 10,000



**TAPE DIMENSION**



## RECOMMENDED RELOW PROFILE :

1. Preheating shall be fixed at 150~180°C for 60~90 seconds.
2. Ascending time to preheating temperature 150°C shall be 30 seconds min.
3. Heating shall be fixed at 220°C for 50~80 seconds and at 260°C+0/-5°C peak (20~40sec).
4. Time: 2 times.

