

SF2563LM

876.5 MHz
Product Type



SM1109-5

MAXIMUM RATING

- Operating temperature range: -30 °C to +85 °C
- Storage temperature range: -30 °C to +85 °C
- Input power : 10dBm
- Maximum DC Voltage: +/-3 V
- Moisture Sensitivity Level: Level 1 (MSL 1)
- ESD 100V(MM) 200V(HBM)

ELECTRICAL CHARACTERISTICS

Terminating source impedance: $Z_s = 50 \Omega$ (Unbalanced)

Terminating load impedance: $Z_L = 100 \Omega$ (Balanced)

Parameters Description		Unit	Min	Typ	Max	Remarks
Insertion Loss	859~ 894MHz	dB(*1)	-	2.2	3.3	
Amplitude ripple	859~ 894MHz	dB	-	0.8	2.1	
VSWR	Input	859~ 894MHz	-	1.9	2.3	
	Output	859~ 894MHz	-	1.8	2.3	
Amplitude balance ($ S_{21} / S_{31} $)	859~ 894MHz	dB	-1.2	-0.6~+0.1	+1.2	-
Phase balance ($(\Phi_{S21}-\Phi_{S31})+180$)	859~ 894MHz	deg.	-10	-3.0~+2.0	+10	-
Attenuation:						
10~ 814 MHz		dB	40	64	-	
814 ~ 849 MHz		dB	46	59	-	
979 ~ 2000 MHz		dB	40	56	-	
2000 ~ 3000 MHz		dB	35	52	-	
3000 ~ 6000 MHz		dB	30	42	-	

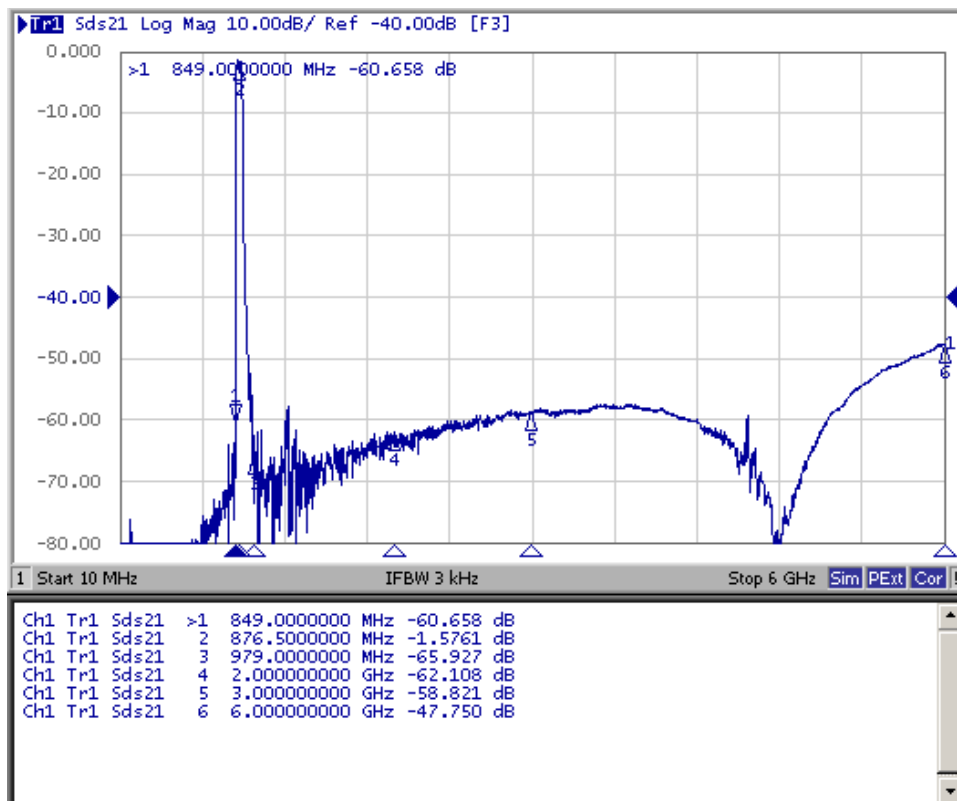
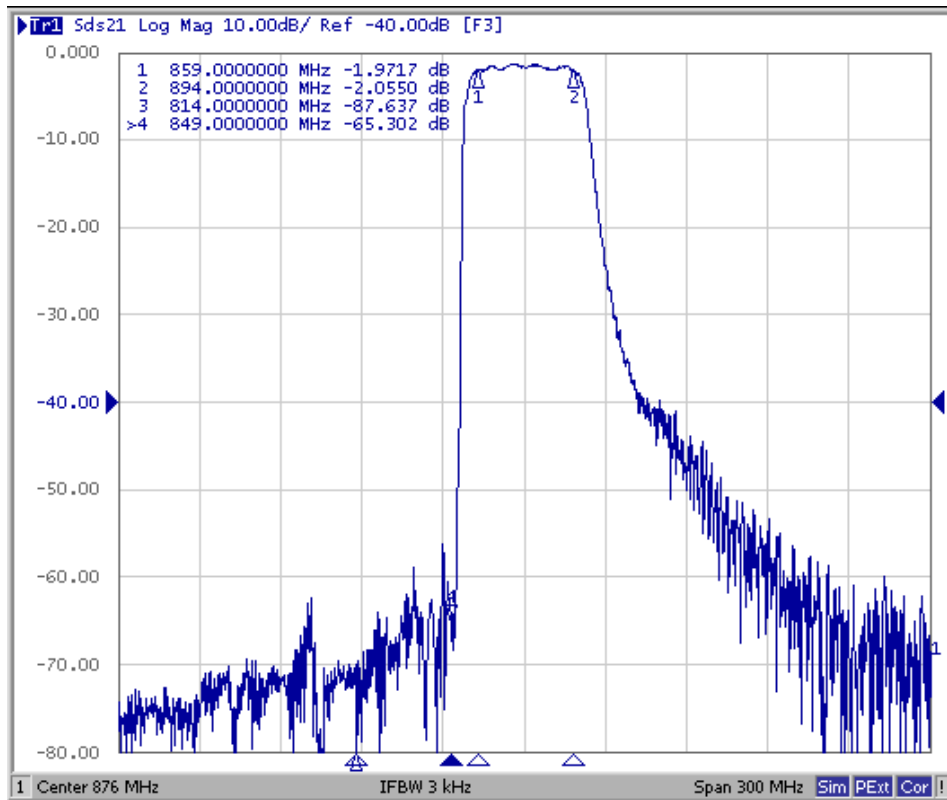
(*1) Specification of insertion loss includes loss that comes from the test board.(0.05dB) .

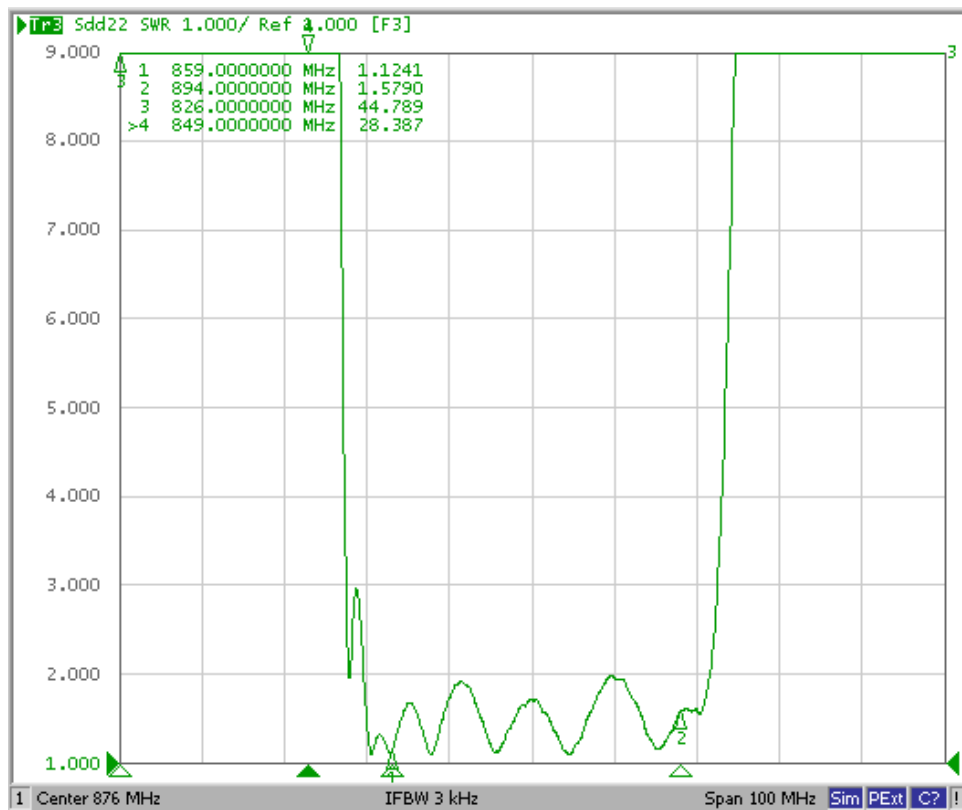
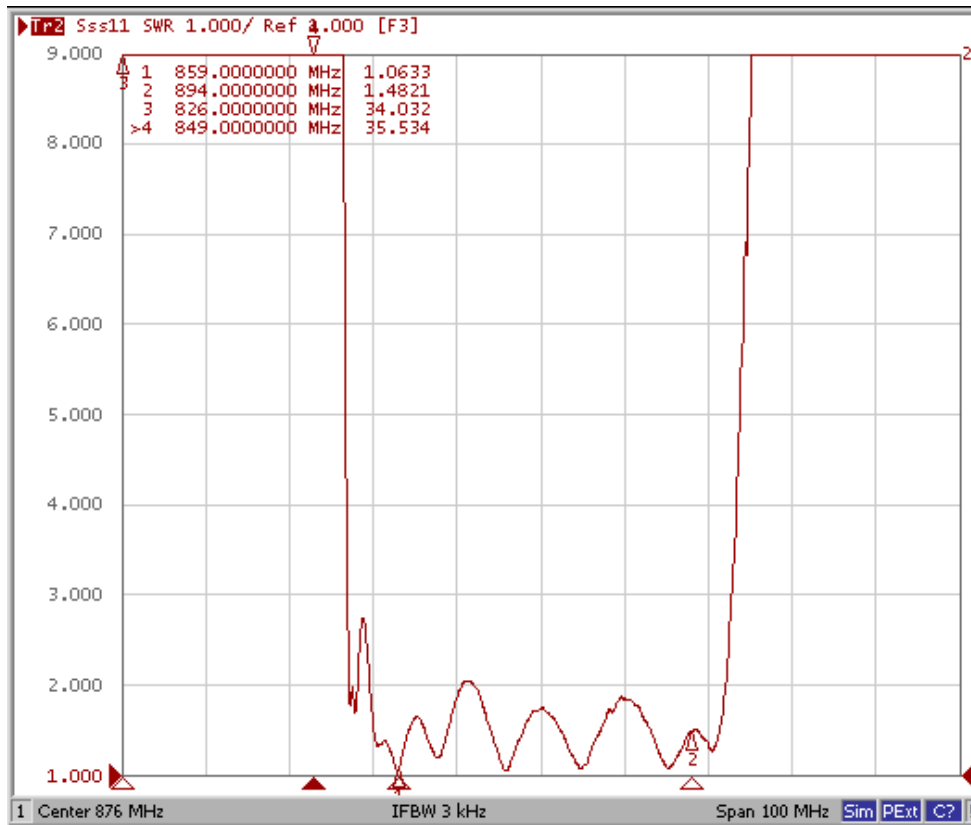
CAUTION: Electrostatic Sensitive Device. Observe precautions for handling. NOTES:

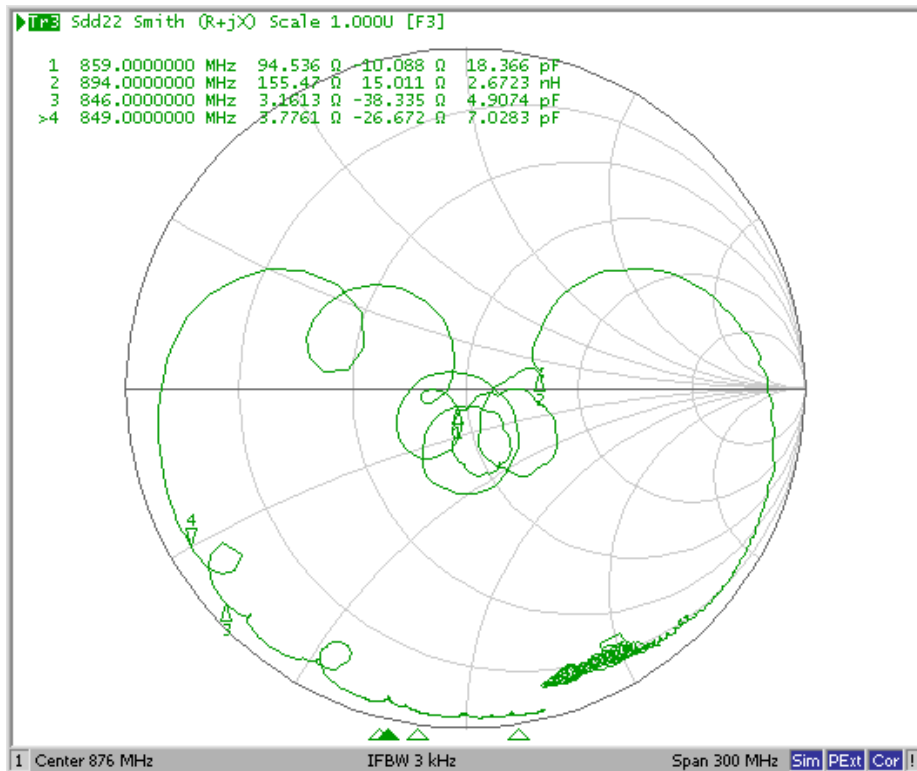
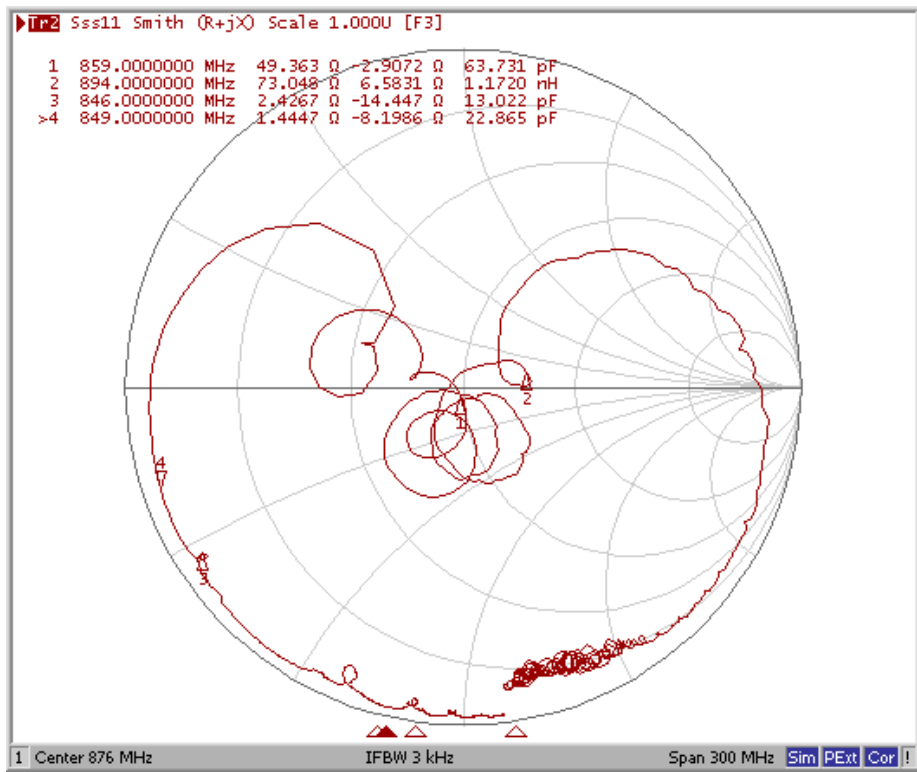


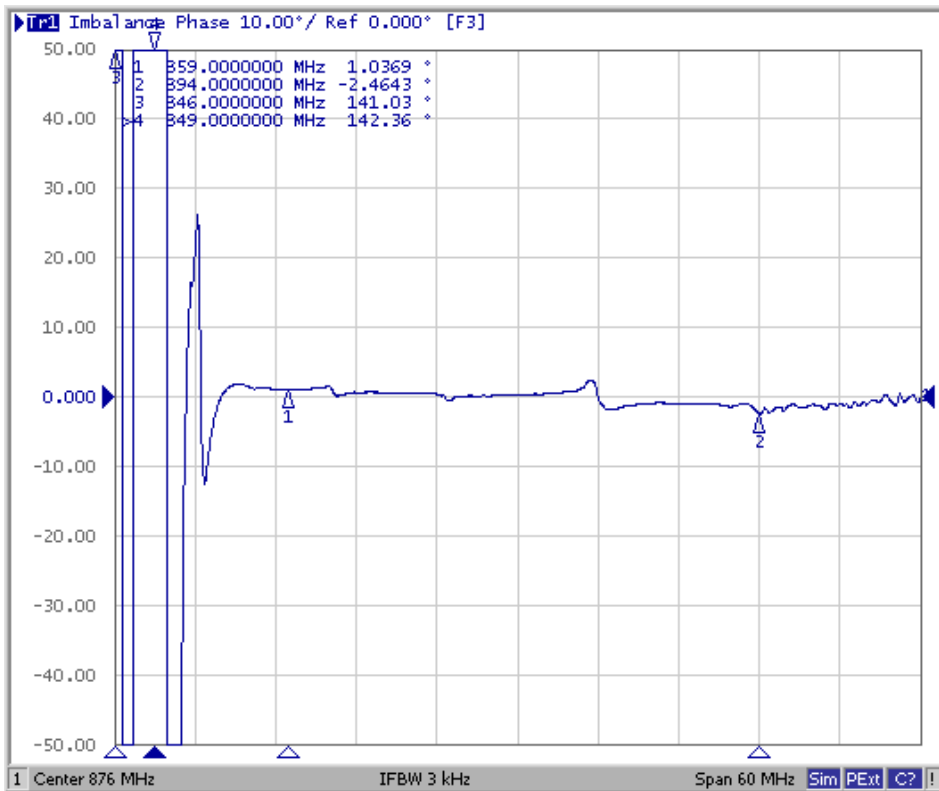
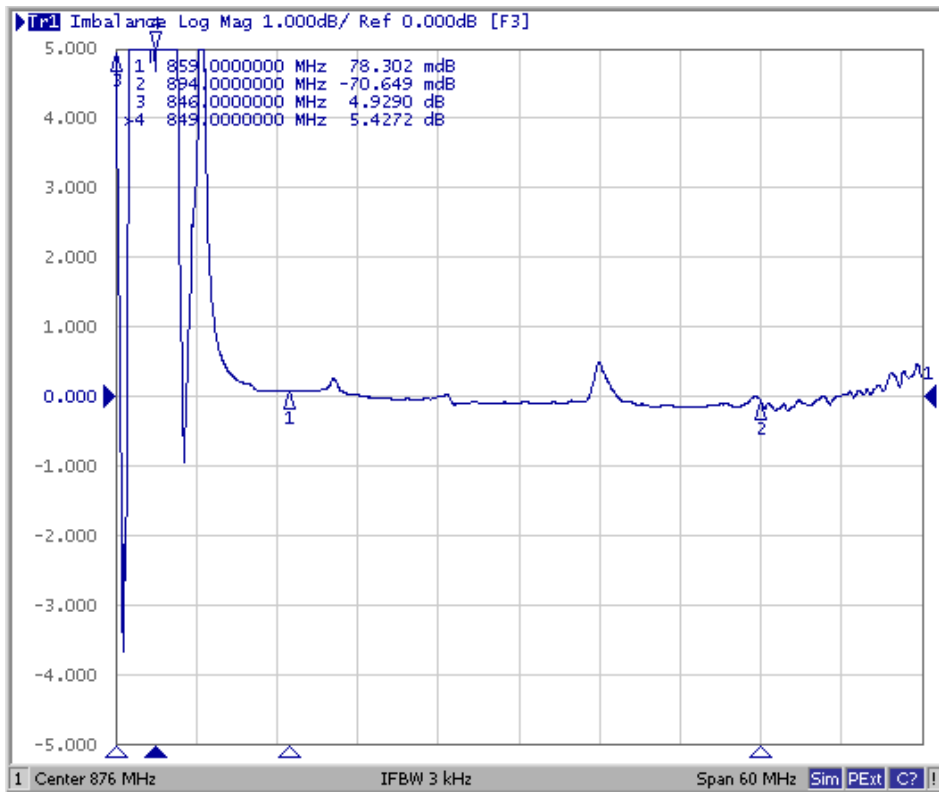
1. The design, manufacturing process, and specifications of this device are subject to change.
2. US or International patents may apply.
3. RoHS compliant from the first date of manufacture.

FREQUENCY CHARACTERISTICS

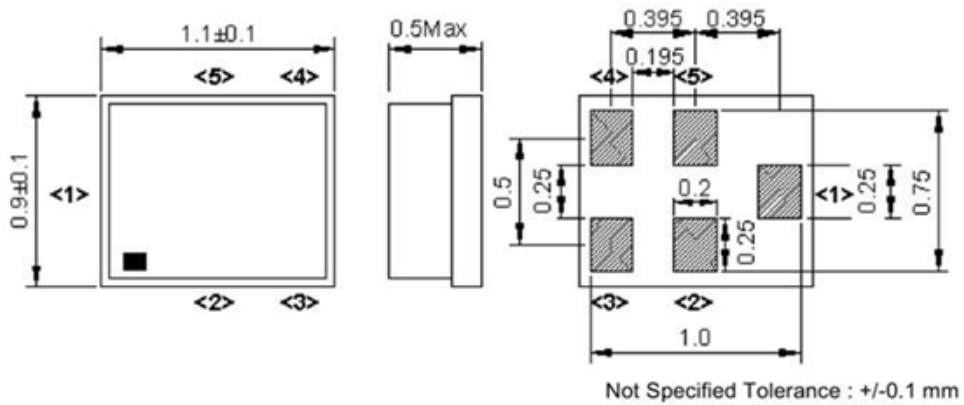








OUTLINE DRAWING



Pin Configuration

Pin No.	Symbol	Function
1	IN	Unbalanced pin
2	GND	Ground
3	OUT	Balanced Pin
4	OUT	Balanced Pin
5	GND	Ground

Top View (Sample Production):



Top View (Mass Production):

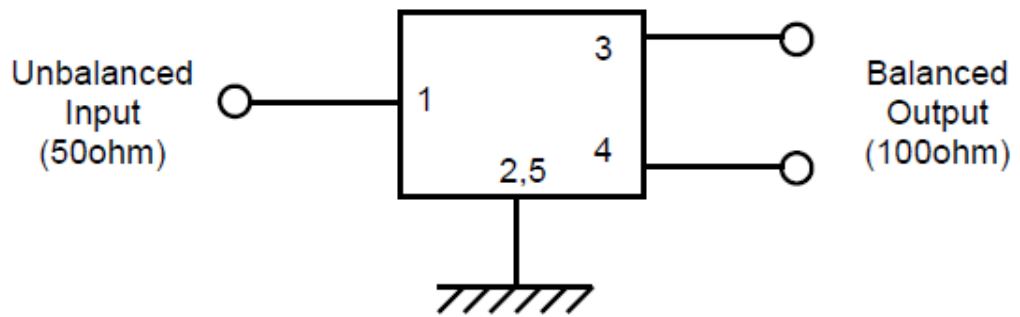


△ : Date Code

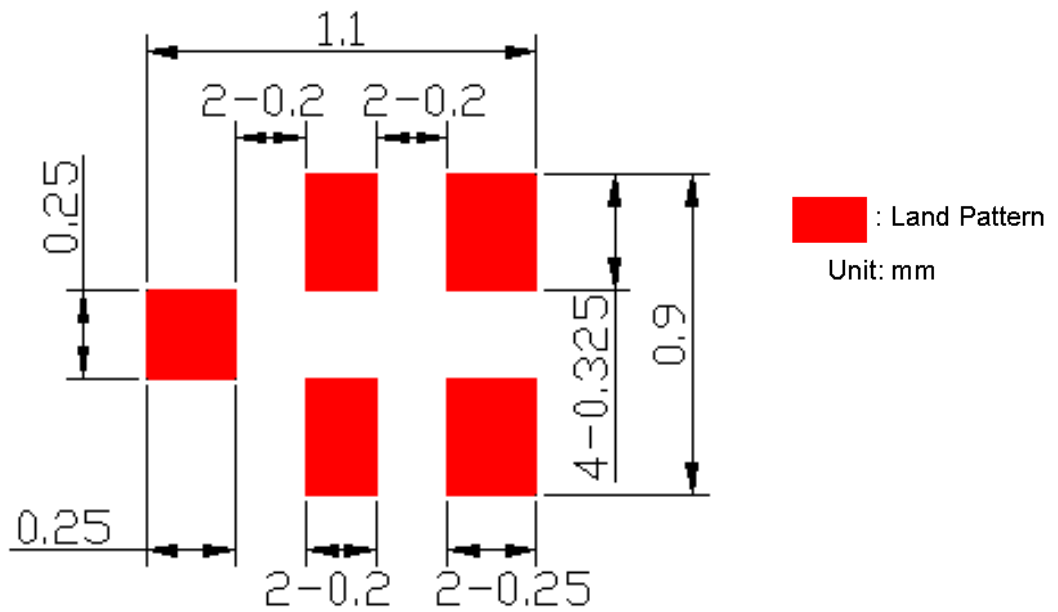
□ : Lot No. (Indicated by 0~9 or A to Z and a to z, except I, O, i, o and l)

Date Code												
Year	Jan	Feb	Mar	Apr	May	Jun	Jul	Aug	Sep	Oct	Nov	Dec
2015	a	b	c	d	e	f	g	h	j	k	l	m
2016	n	p	q	r	s	t	u	v	w	x	y	Z
2017	A	B	C	D	E	F	G	H	J	K	L	M
2018	N	P	Q	R	S	T	U	V	W	X	Y	Z

Evaluation Circuit



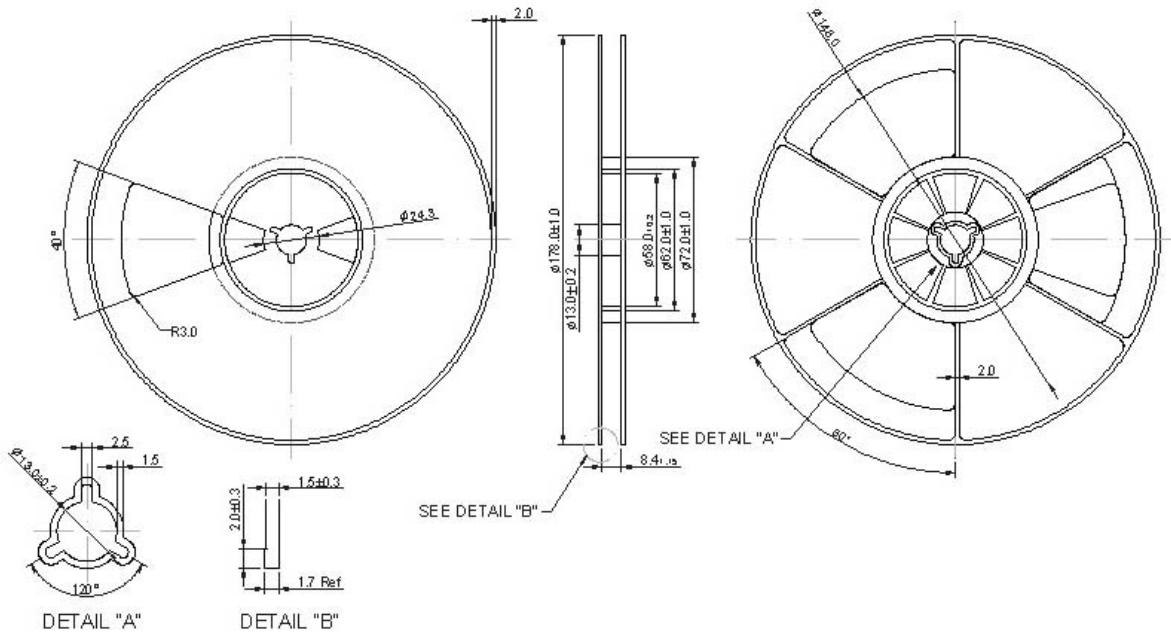
PCB Footprint



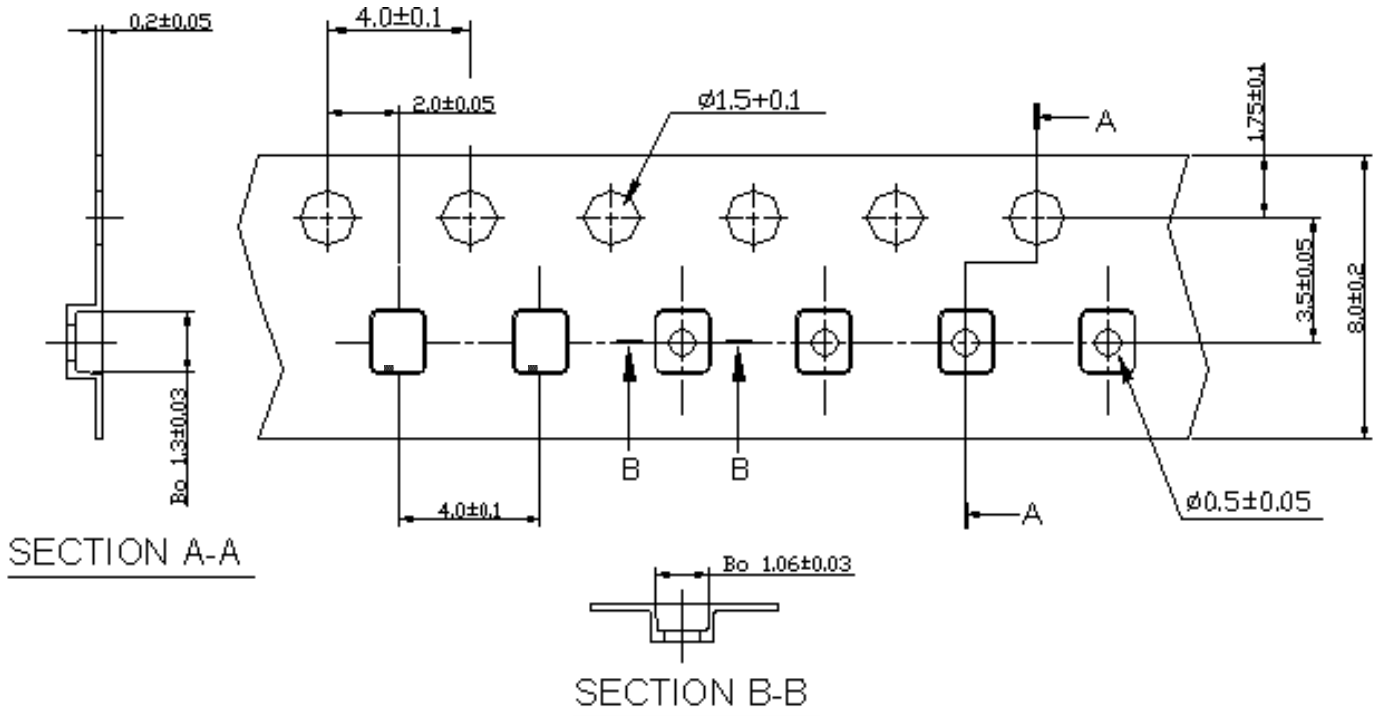
PACKING

REEL DIMENSION

Reel Count
 7" = 3000
 13" = 10,000



TAPE DIMENSION



RECOMMENDED REFLOW PROFILE

1. Preheating shall be fixed at 150~180°C for 60~90 seconds.
2. Ascending time to preheating temperature 150°C shall be 30 seconds min.
3. Heating shall be fixed at 220°C for 50~80 seconds and at 245~260°C peak (min. 10sec).
4. Time : 2 times.

