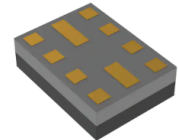


**SF2619J**

**1176.45 MHz  
SAW Diplexer**



SM1511-10

**MAXIMUM RATING:**

- Input Power Level: 15 dBm
- DC Voltage : 0 V
- Operating Temperature: -40°C to +85°C
- Storage Temperature: -40°C to +85°C
- Moisture Sensitive Level: MSL 3

**ELECTRICAL CHARACTERISTICS:**

Terminating source impedance (single) :  $Z_s = 50 \Omega$

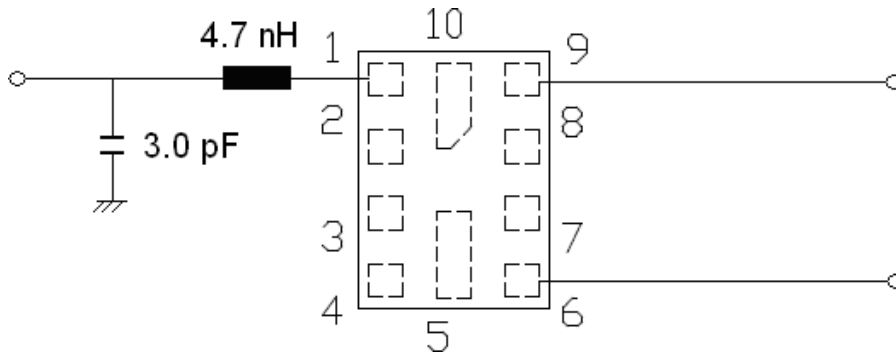
Terminating load impedance (single) :  $Z_L = 50 \Omega$

Item (L5 Band to Antenna)	Unit	Min.	Typ.	Max.
<b>Center frequency</b>	MHz	-	1176.45	-
<b>Insertion Loss</b> (1166.22 ~ 1186.68 MHz)	dB	-	2.0	3.5
<b>VSWR</b> (1166.22 ~ 1186.68 MHz)	-	-	2.4	2.8
<b>Attenuation</b> (reference level from 0 dB)				
850 ~ 980 MHz	dB	30	42	-
980 ~ 1010 MHz	dB	30	40	-
1010 ~ 1100 MHz	dB	30	38	-
1100 ~ 1130 MHz	dB	30	36	-
1220 ~ 1250 MHz	dB	20	30	-
1260 ~ 1427 MHz	dB	28	35	-
<b>Temperature Coefficient of Frequency</b>	ppm/K	-	-36	-

Item (L1 Band + GLONASS to Antenna)	Unit	Min.	Typ.	Max.
<b>Center frequency</b>	MHz	-	1585.47	-
<b>Insertion Loss</b> (1559.05 ~ 1611.89 MHz)	dB	-	2.5	3.5
<b>VSWR</b> (1559.05 ~ 1611.89 MHz)	-		2.3	2.8
<b>Attenuation</b> (reference level from 0 dB)				
10 ~ 960 MHz	dB	35	45	-
960 ~ 1463 MHz	dB	35	45	-
1710 ~ 1785 MHz	dB	30	35	-
1785 ~ 1990 MHz	dB	33	38	-
1990 ~ 2280 MHz	dB	35	45	-
2280 ~ 3000 MHz	dB	30	50	
3000 ~ 6000 MHz	dB	30	50	
<b>Temperature Coefficient of Frequency</b>	ppm/K	-	-36	-

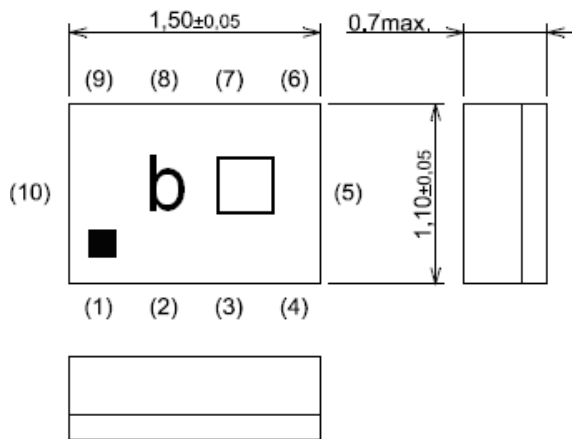
Item (Isolation)	Unit	Min.	Typ.	Max.
<b>Attenuation</b> (reference level from 0 dB)				
1166.22 ~ 1186.68 MHz	dB	35	44	-
1559.05 ~ 1605.89 MHz	dB	35	38	-

**TEST CIRCUIT:**

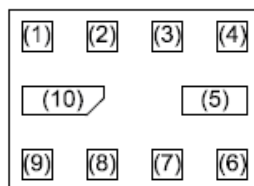


Pin #	Function
(1)	Antenna
(2)	Ground
(3)	Ground
(4)	Ground
(5)	Ground
(6)	L5 Band
(7)	Ground
(8)	Ground
(9)	L1 Band
(10)	Ground

**OUTLINE DRAWING:**



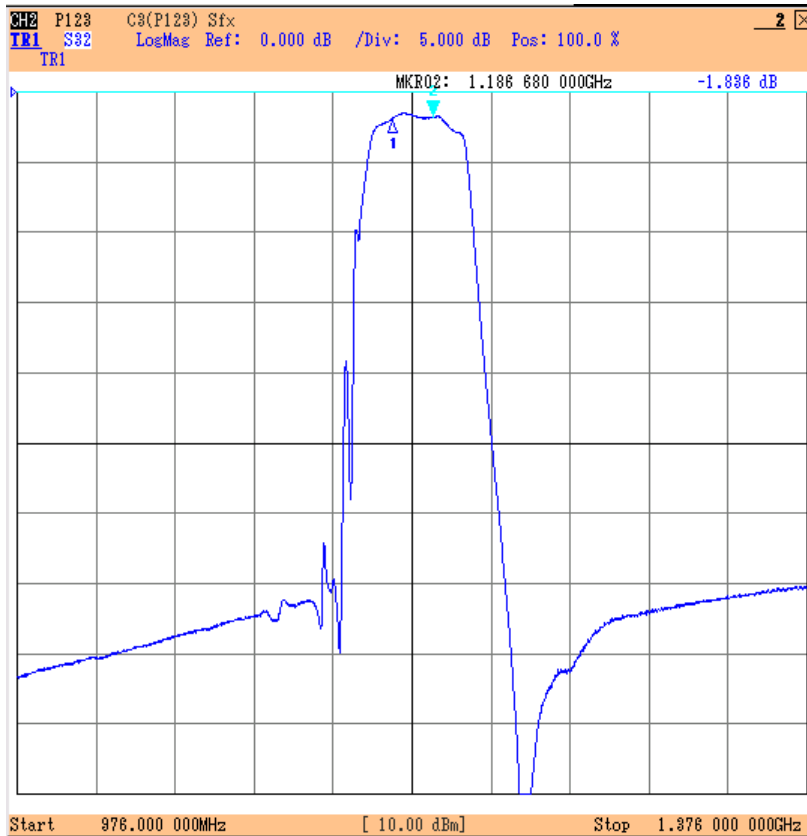
Pin #	Function
(1)	Antenna
(2)	Ground
(3)	Ground
(4)	Ground
(5)	Ground
(6)	L5 Band
(7)	Ground
(8)	Ground
(9)	L1 Band
(10)	Ground



Year/Month	1	2	3	4	5	6	7	8	9	10	11	12
2017	A	B	C	D	E	F	G	H	J	K	L	M
2018	N	P	Q	R	S	T	U	V	W	X	Y	Z
2019	a	b	c	d	e	f	g	h	j	k	l	m
2020	n	p	q	r	s	t	u	v	w	x	y	z
2021	A	B	C	D	E	F	G	H	J	K	L	M
2022	N	P	Q	R	S	T	U	V	W	X	Y	Z
2023	a	b	c	d	e	f	g	h	j	k	l	m
2024	n	p	q	r	s	t	u	v	w	x	y	z

# Frequency Characteristics:

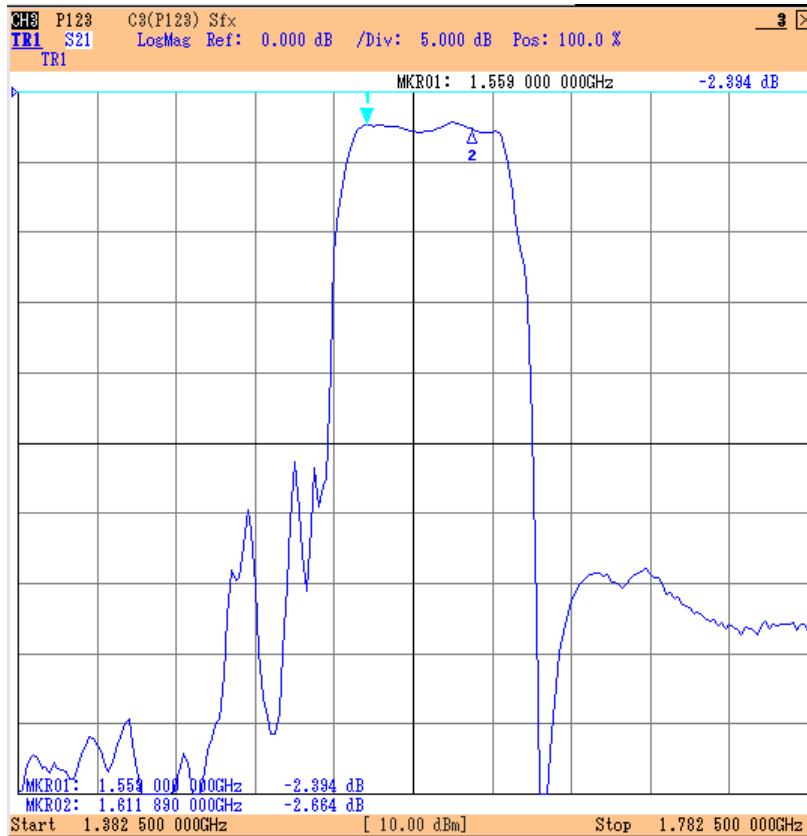
## L5 Pass Band



## L5 Full Range



## L1 Pass Band



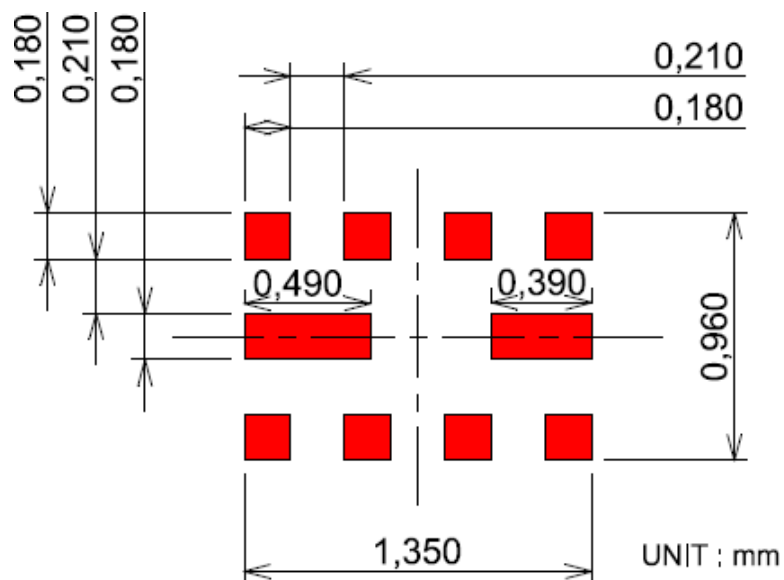
## L1 Full Range



## Isolation



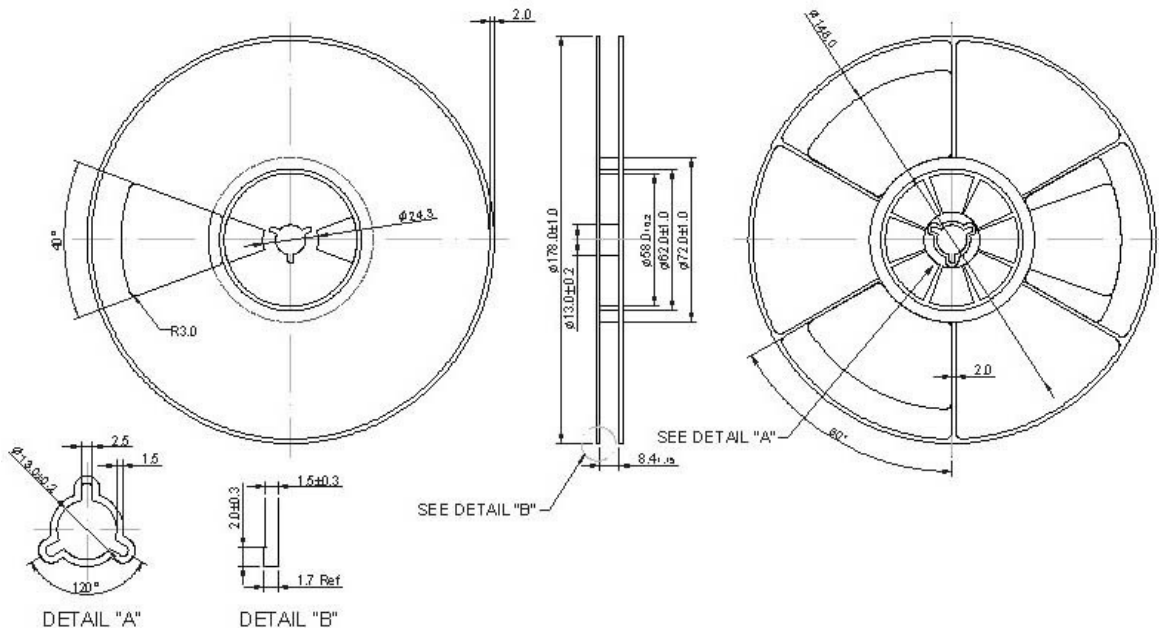
### PCB FOOTPRINT:



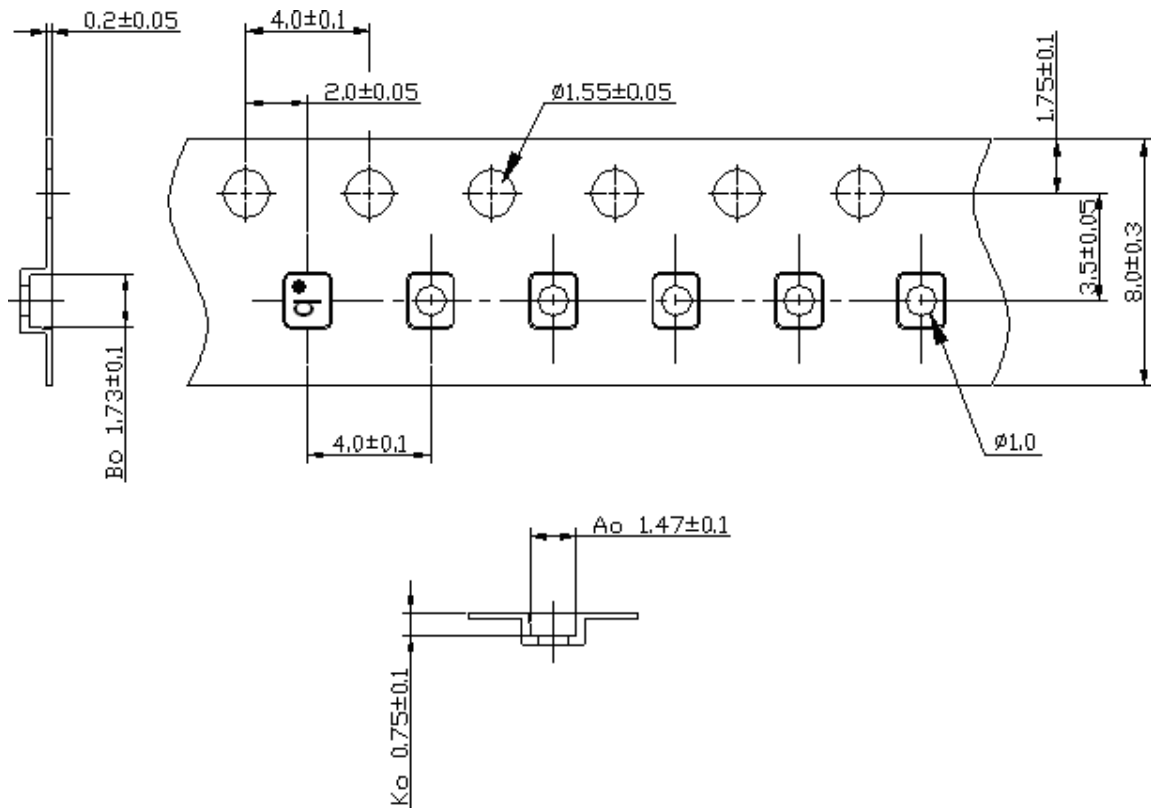
**PACKING:**

Reel count:  
7" = 3000

**1. REEL DIMENSION**

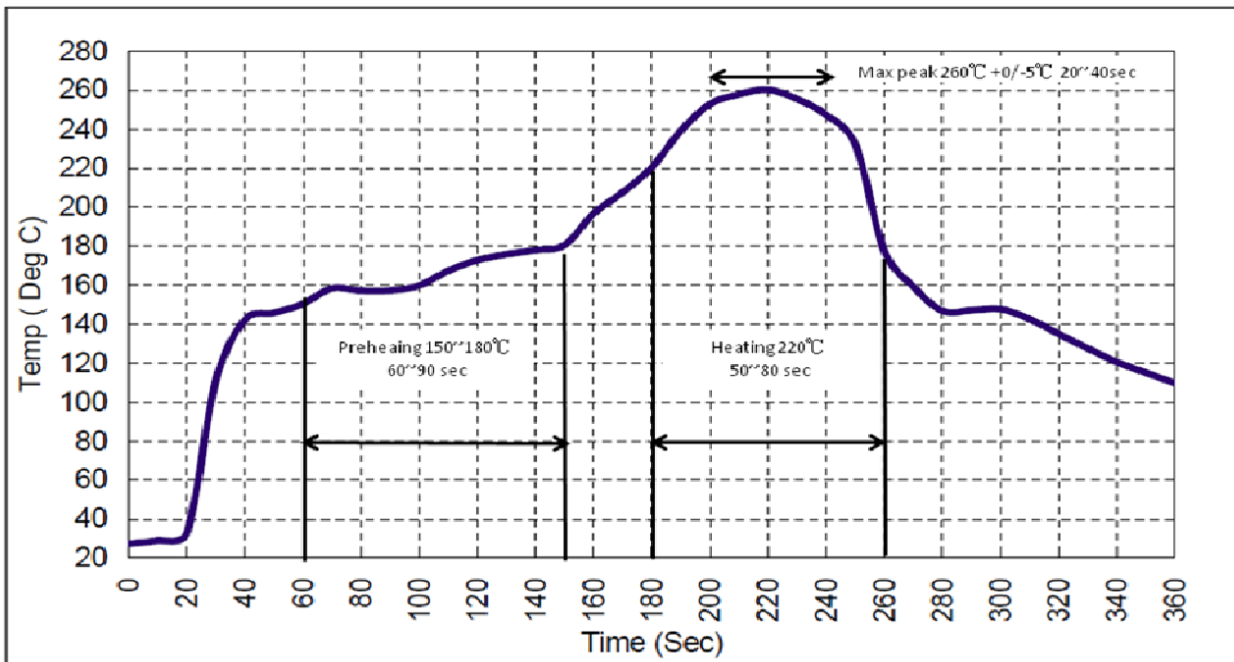


**2. TAPE DIMENSION**



## RECOMMENDED REFLOW PROFILE :

1. Preheating shall be fixed at 150~180°C for 60~90 seconds.
2. Ascending time to preheating temperature 150°C shall be 30 seconds min.
3. Heating shall be fixed at 220°C for 50~80 seconds and at 260°C+0/-5°C peak (20~40sec).
4. Time: 2 times.



**CAUTION: Electrostatic Sensitive Device. Observe precautions for handling.**

### NOTES:

1. The design, manufacturing process, and specifications of this device are subject to change.
2. US or International patents may apply.
3. RoHS compliant from the first date of manufacture.