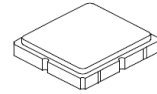


**Maximum Ratings:**

1. Input Power Level: 15 dB<sub>m</sub>
2. DC voltage: 5 V
3. Operating Temperature: -40°C to +105°C
4. Storage Temperature: -40°C to +105°C
5. Moisture Sensitivity Level: Level 1 (MSL1)
6. AEC-Q200 Qualified

**SF2622E**

**733/760 MHz  
SAW Notch Filter**



SM3030-8

**Electrical Characteristics:**

Item	Unit	Min.	Typ.	Max.
<b>Center frequency</b>	MHz	-	733 760	-
<b>Minimum Insertion Loss</b>	dB	-	0.8	2.0
<b>Maximum Insertion Loss</b>				
470 ~ 692 MHz	dB	-	1.8	3.0
692 ~ 710 MHz	dB	-	2.9	6.5
<b>Group Delay Ripple</b>				
470 ~ 692 MHz	ns	-	5.5	10
692 ~ 710 MHz	ns	-	25	35
<b>Attenuation (reference from 0dB)</b>				
90 ~ 222 MHz	dB	30	38	-
718 ~ 748 MHz	dB	10	14	-
755 ~ 765 MHz	dB	14	23	-
815 ~ 845 MHz	dB	15	22	-
1574.4 ~ 1576.44 MHz	dB	16	25	-
1920 ~ 1980 MHz	dB	22	31	-
<b>Source impedance</b> $Z_s$	$\Omega$	-	50	-
<b>Load impedance</b> $Z_L$	$\Omega$	-	50	-

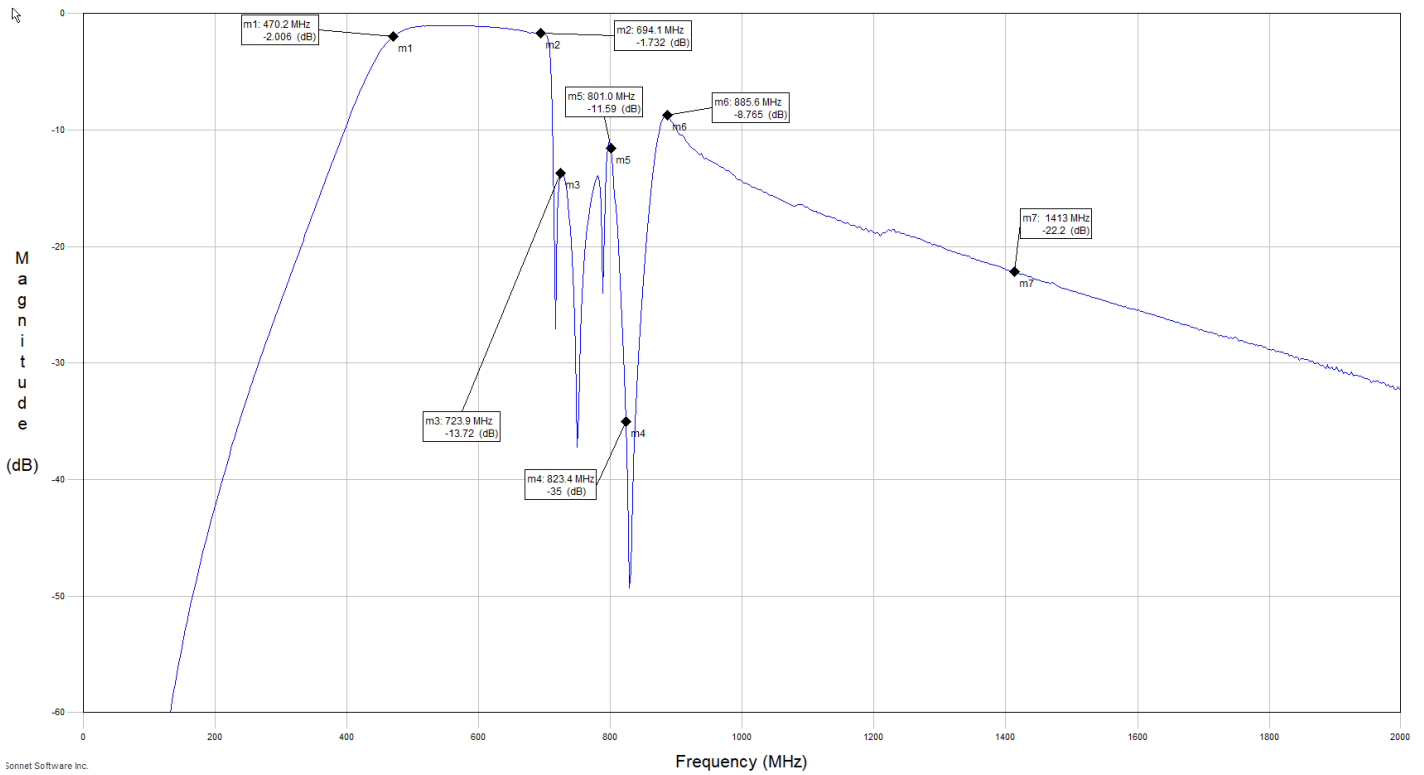


**CAUTION: Electrostatic Sensitive Device. Observe precautions for handling.**

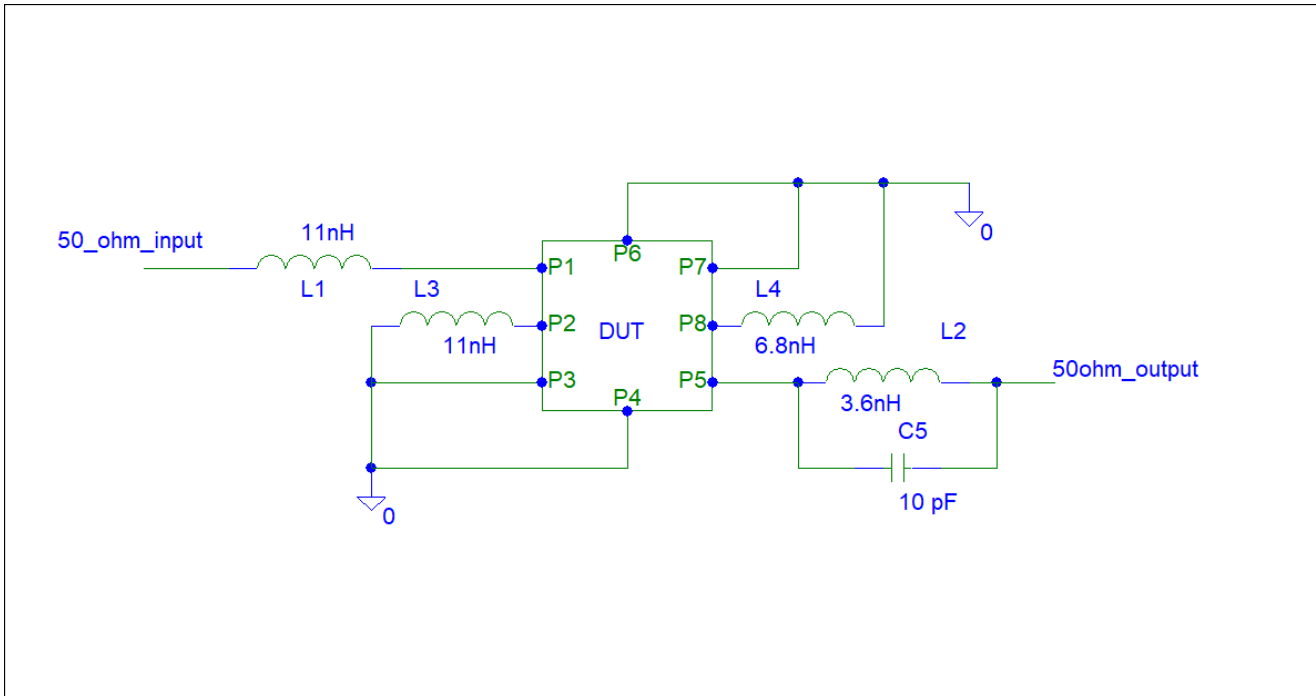
**NOTES:**

- 1. The design, manufacturing process, and specifications of this device are subject to change.
- 2. US or International patents may apply.
- 3. RoHS compliant from the first date of manufacture.

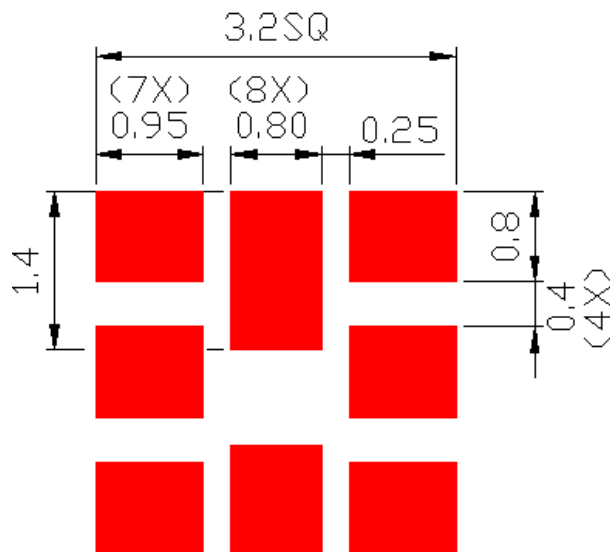
**Transfer Function :**



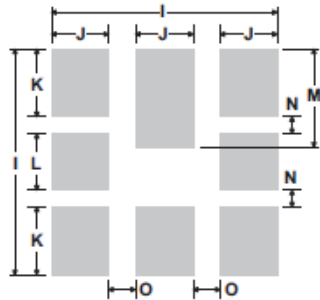
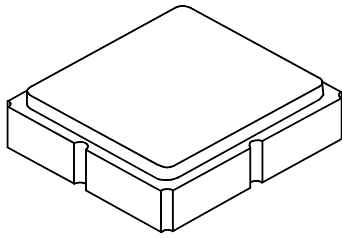
## Measurement Circuit:



D76: cchdf]bh



## 8-Terminal Ceramic Surface-Mount Case 3.0 x 3.0 mm Nominal Footprint



PCB Footprint Top View

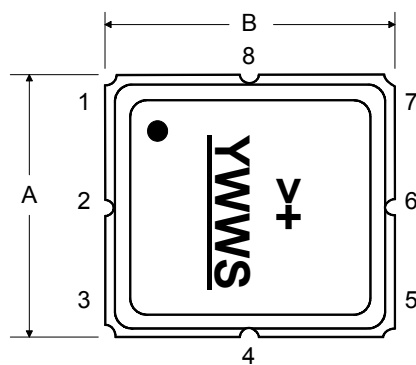
### Case and PCB Footprint Dimensions

Dimension	mm			Inches		
	Min	Nom	Max	Min	Nom	Max
A	-	3.00	-	-	0.118	-
B	-	3.00	-	-	0.118	-
C	-	-	1.4	-	-	0.055
D	-	0.92	-	-	0.036	-
E	-	0.75	-	-	0.029	-
F	-	0.60	-	-	0.024	-
G	-	0.60	-	-	0.024	-
H	-	1.20	-	-	0.047	-
I	-	3.19	-	-	0.126	-
J	-	0.81	-	-	0.032	-
K	-	0.96	-	-	0.038	-
L	-	0.81	-	-	0.032	-
M	-	1.39	-	-	0.055	-
N	-	0.23	-	-	0.009	-
O	-	0.38	-	-	0.015	-

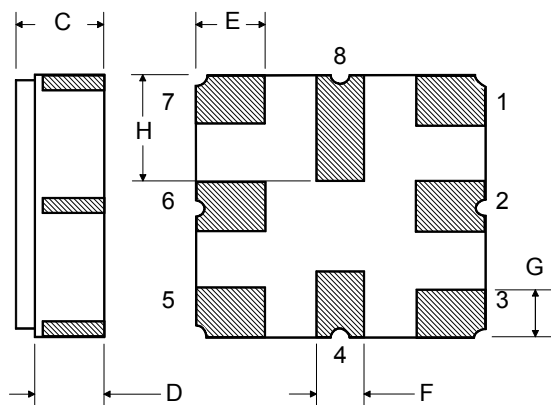
### Case Materials

Materials	
Solder Pad Plating	0.3 to 1.0 $\mu\text{m}$ Gold over 1.27 to 8.89 $\mu\text{m}$ Nickel
Lid Plating	2.0 to 3.0 $\mu\text{m}$ Nickel
Body	$\text{Al}_2\text{O}_3$ Ceramic

TOP VIEW



BOTTOM VIEW



# PACKING:

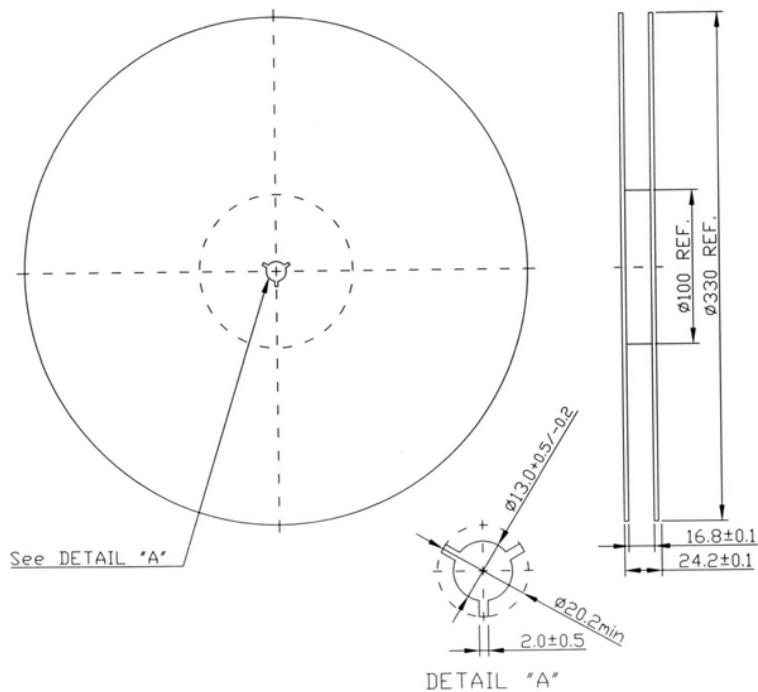
## REEL DIMENSION

Tape and Reel Standard per ANSI/EIA-481

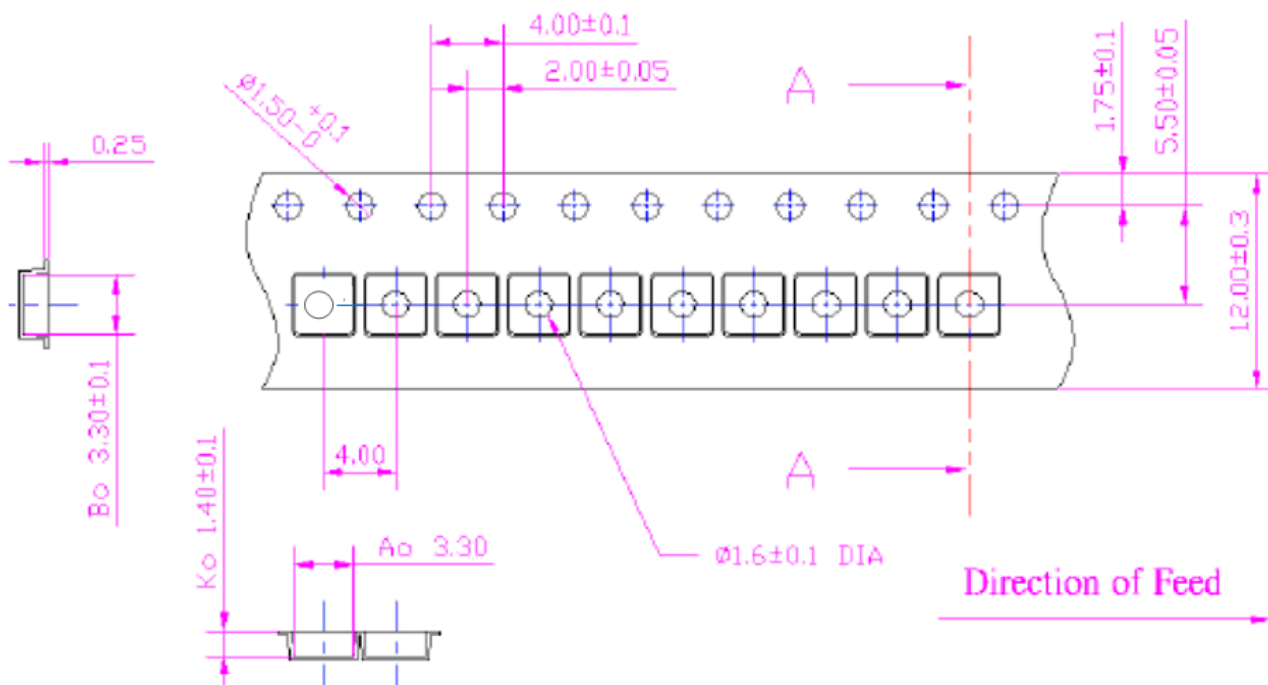
Reel Count:

7" = 500

13" = 3000



## Tape Dimensions:



## Recommended Reflow Profile

1. Preheating shall be fixed at 150~180°C for 60~90 seconds.
2. Ascending time to preheating temperature 150°C shall be 30 seconds min.
3. Heating shall be fixed at 220°C for 50~80 seconds and at 260°C +0/-5°C peak (10 seconds).
4. Time: 5 times maximum.

