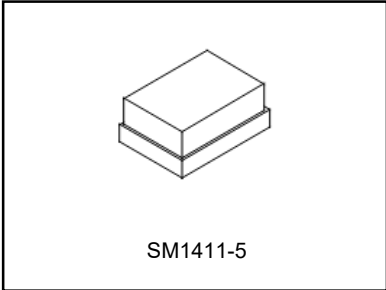


SF2627K

**2442 MHz
SAW Filter**



MAXIMUM RATING:

- Input Power Level: 10 dBm
- DC Voltage : 0V
- Operating Temperature: -30°C to +85°C
- Storage Temperature: -30°C to +85°C
- Moisture Sensitive Level: Level 3 (MSL3)

ELECTRICAL CHARACTERISTICS:

Terminating source impedance: $Z_s = 50 \Omega$

Terminating load impedance: $Z_L = 50 \Omega$

Item	Unit	Min.	Type.	Max.
Center Frequency	MHz	-	2442	-
Insertion Loss (2401 ~ 2483 MHz)	dB	-	2.1	2.8
Amplitude ripple (2401 ~ 2483 MHz)	dB	-	1.0	2.0
VSWR (2401 ~ 2483 MHz)	-	-	1.7	2.2
Attenuation				
699 ~ 960 MHz	dB	33	40	-
1425 ~ 2170 MHz	dB	25	32	-
2300 ~ 2370 MHz	dB	12	34	-
2370 ~ 2375 MHz	dB	6	23	-
2375 ~ 2380 MHz	dB	-	9	-
2505 ~ 2510 MHz	dB	-	7	-
2515 ~ 2525 MHz	dB	10	19	-
2525 ~ 2690 MHz	dB	28	40	-
4900 ~ 5805 MHz	dB	25	31	-
7200 ~ 7500 MHz	dB	25	29	-
Temperature Coefficient of Frequency	ppm/C°	-	-36	-

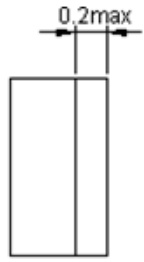
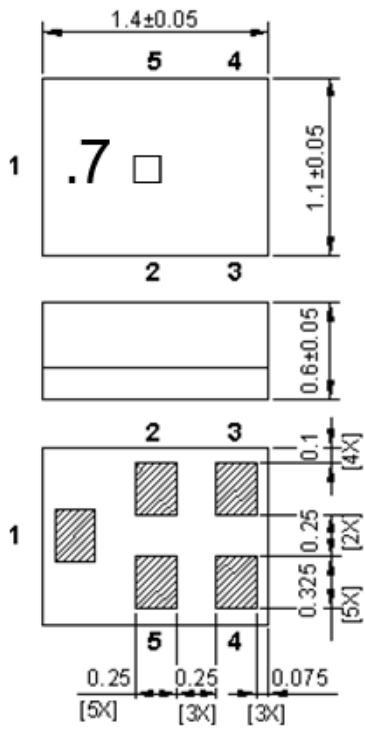


CAUTION: Electrostatic Sensitive Device. Observe precautions for handling.

NOTES:

1. The design, manufacturing process, and specifications of this device are subject to change.
2. US or International patents may apply.
3. This component was always RoHS compliant from the first date of manufacture.

OUTLINE DRAWING:



All tolerances are ± 0.05 mm unless otherwise specified
 Coplanarity : 0.1 mm max.
 1 to 5 : Pin No.
 Unit : mm

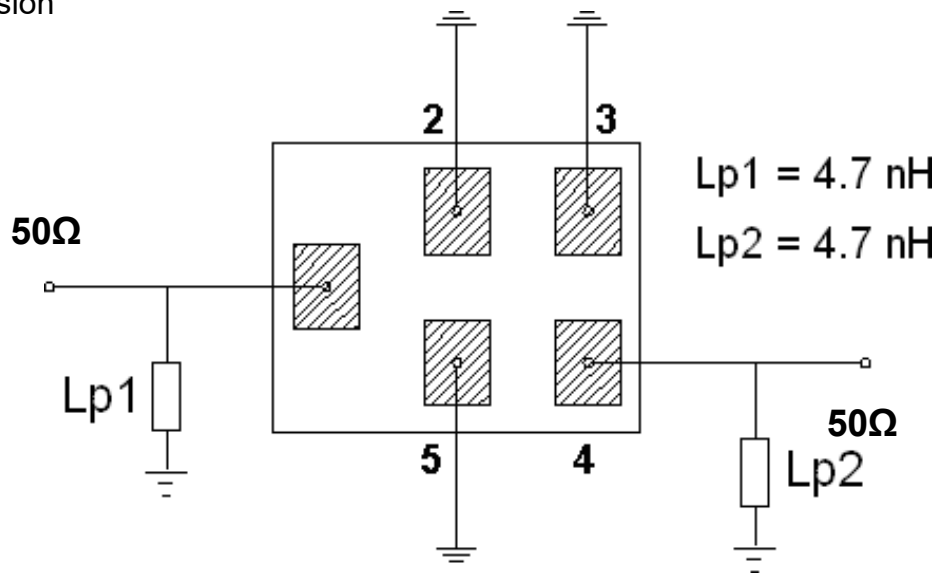
Pin No.	Symbol	Function
1	IN	Input
2	GND	Ground
3	GND	Ground
4	OUT	Output
5	GND	Ground

□ : Year/Month Code (Follow the table)

YEAR/Month	1	2	3	4	5	6	7	8	9	10	11	12
2013	A	B	C	D	E	F	G	H	J	K	L	M
2014	N	P	Q	R	S	T	U	V	W	X	Y	Z
2015	a	b	c	d	e	f	g	h	j	k	l	m
2016	n	p	q	r	s	t	u	v	w	x	y	z
2017	<u>A</u>	<u>B</u>	<u>C</u>	<u>D</u>	<u>E</u>	<u>F</u>	<u>G</u>	<u>H</u>	<u>J</u>	<u>K</u>	<u>L</u>	<u>M</u>
2018	<u>N</u>	<u>P</u>	<u>Q</u>	<u>R</u>	<u>S</u>	<u>I</u>	<u>U</u>	<u>V</u>	<u>W</u>	<u>X</u>	<u>Y</u>	<u>Z</u>
2019	<u>a</u>	<u>b</u>	<u>c</u>	<u>d</u>	<u>e</u>	<u>f</u>	<u>g</u>	<u>h</u>	<u>j</u>	<u>k</u>	<u>l</u>	<u>m</u>
2020	<u>n</u>	<u>p</u>	<u>q</u>	<u>r</u>	<u>s</u>	<u>t</u>	<u>u</u>	<u>v</u>	<u>w</u>	<u>x</u>	<u>y</u>	<u>z</u>

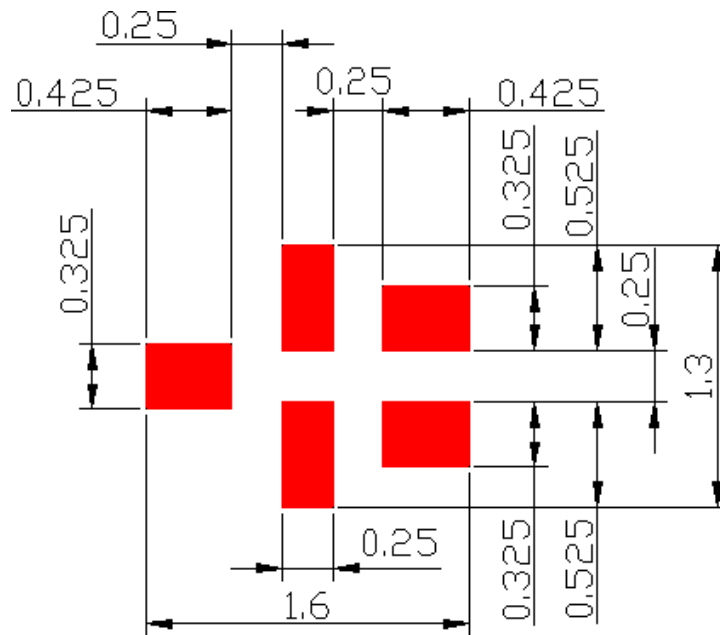
MEASUREMENT CIRCUIT:

* By Network analyzer simulation matching with port extension



- (1): Unbalance Port
- (4): Unbalance Port
- Others: Ground

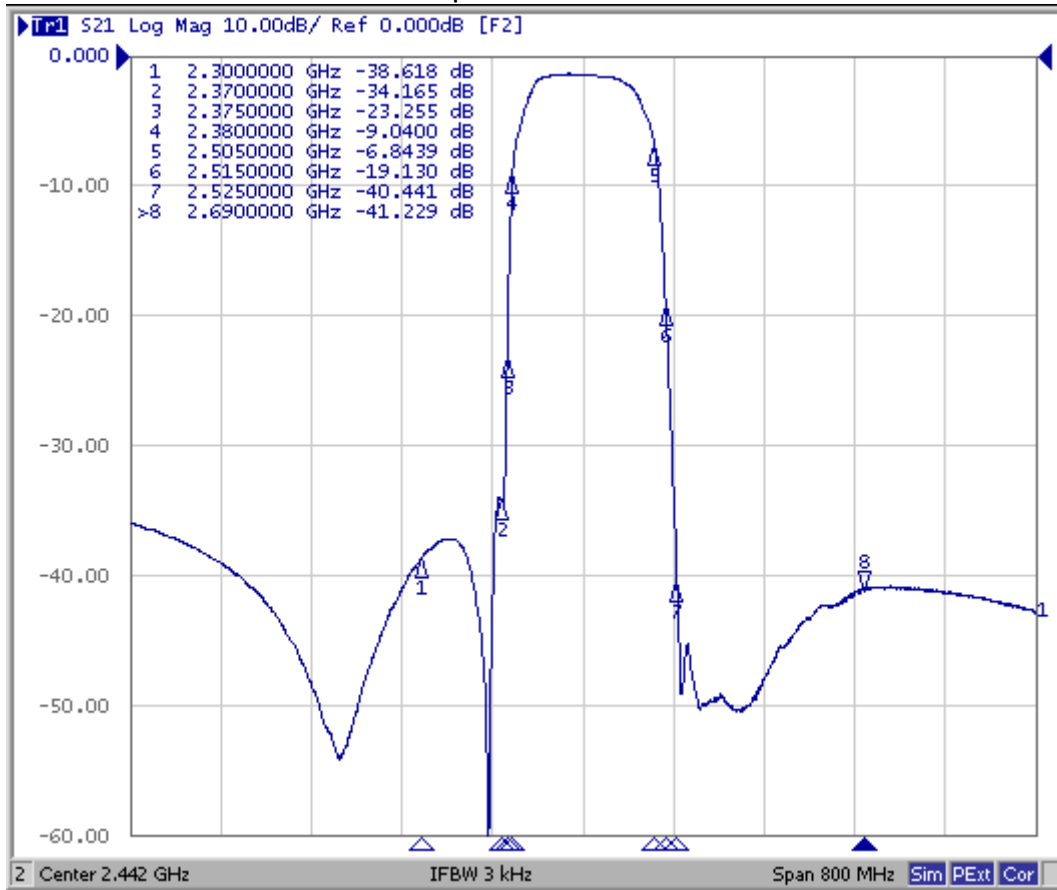
PCB Footprint:



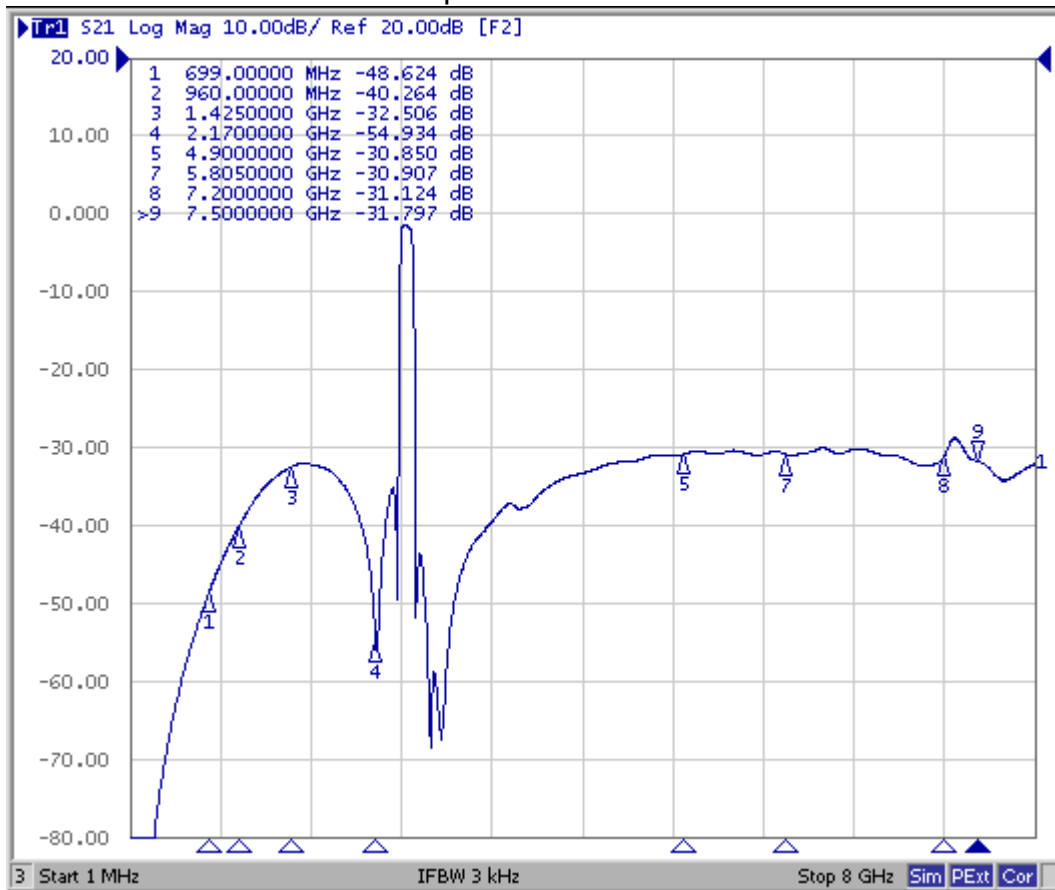
■ : Land Pattern
Unit : mm

Frequency Characteristics:

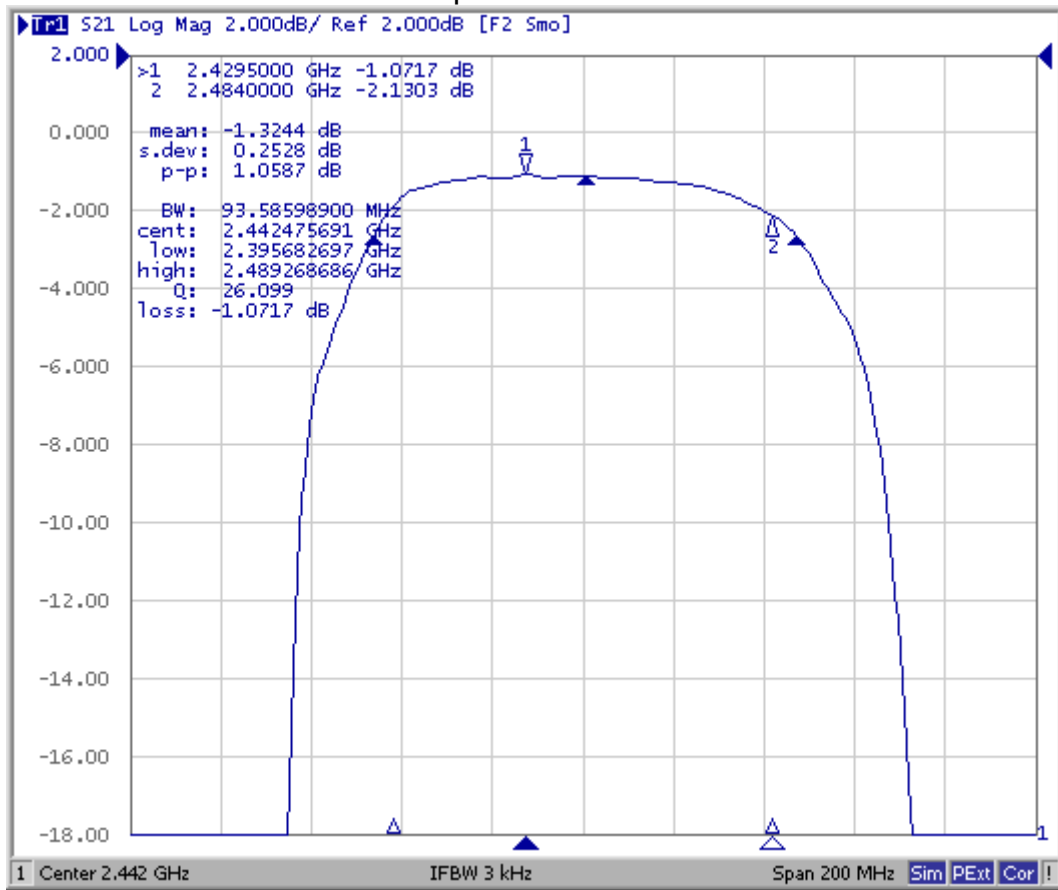
Span 800 MHz



Span 8000 MHz

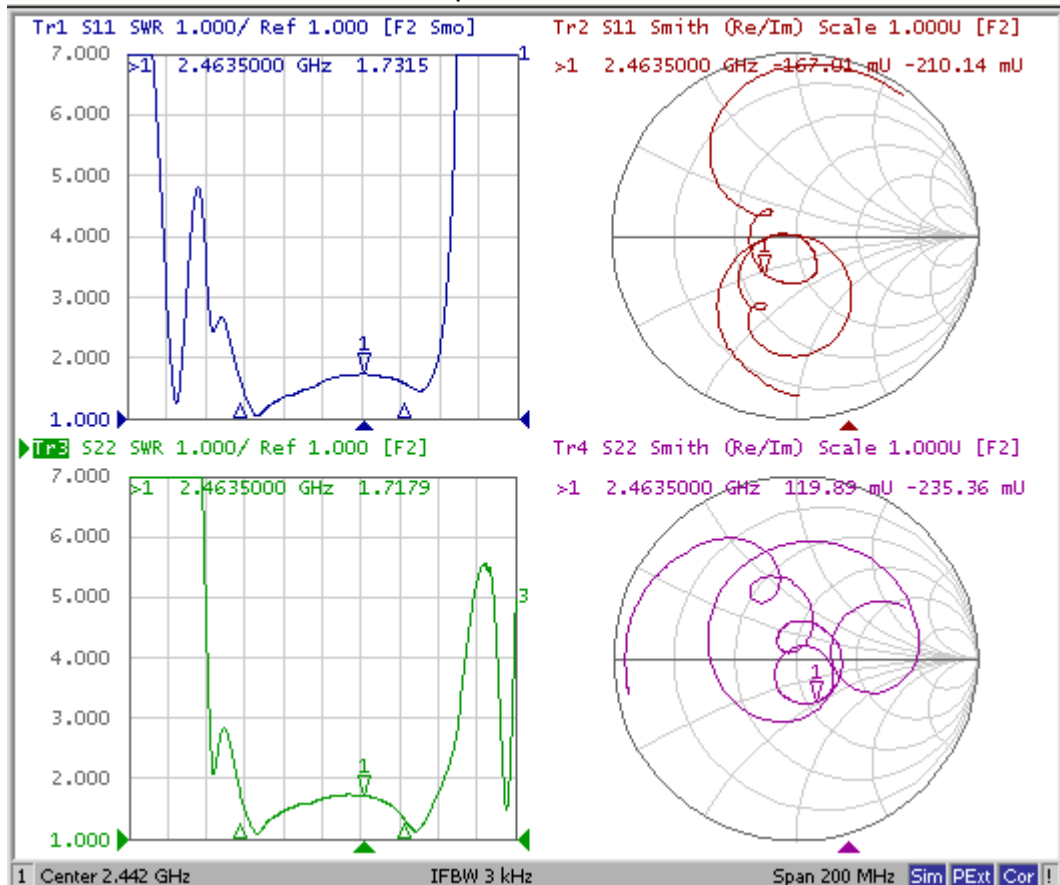


Span 200 MHz



Reflection Functions:

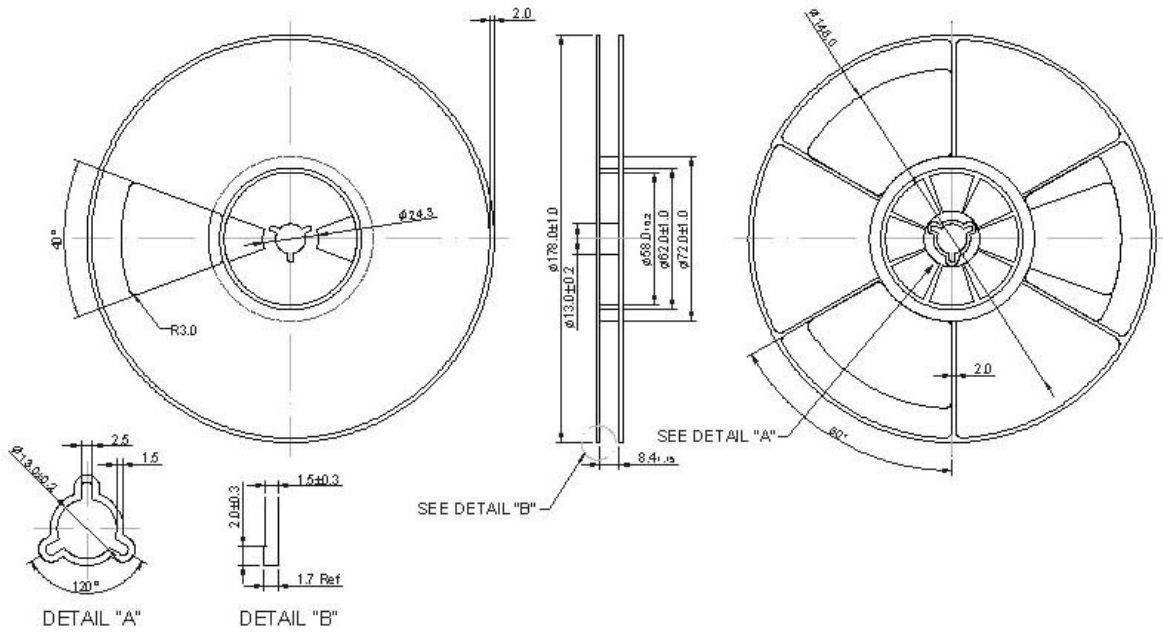
Span 200 MHz



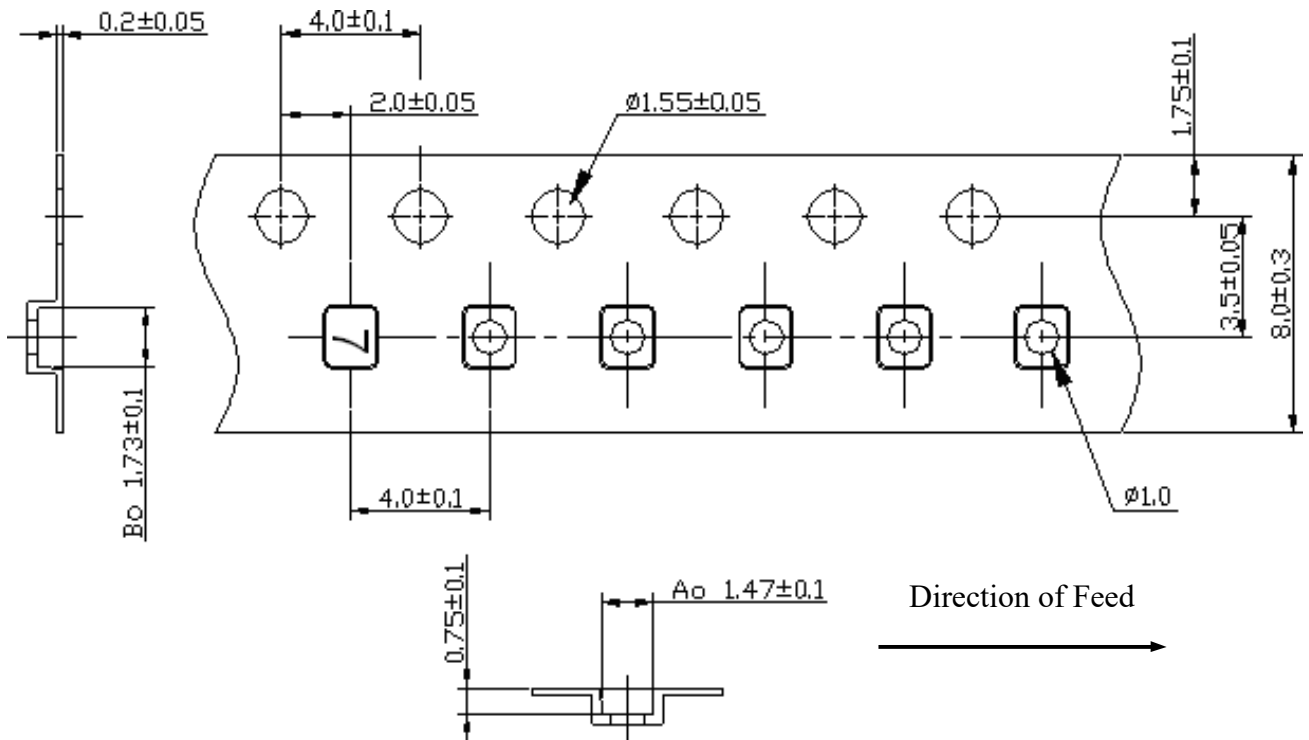
PACKING:

1. REEL DIMENSION

Reel Qty: 7" = 3000



2. TAPE DIMENSION



RECOMMENDED REFLOW PROFILE :

1. Preheating shall be fixed at 150~180°C for 60~90 seconds.
2. Ascending time to preheating temperature 150°C shall be 30 seconds min.
3. Heating shall be fixed at 220°C for 50~80 seconds and at 260°C+0/-5°C peak (20~40sec).
4. Time: 2 times.

