

SM1411-5

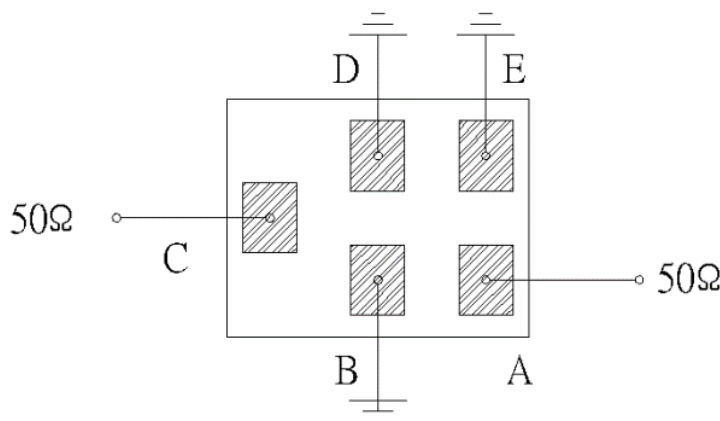
**MAXIMUM RATING:**

- Input Power Level: 7 dB<sub>m</sub>
- DC voltage: 3 V
- Operating Temperature: -30°C to +80°C
- Storage Temperature: -40°C to +85°C
- Moisture Sensitivity Level: Level 2a)

**ELECTRICAL CHARACTERISTICS:**

Item	Unit	Min.	Typ.	Max.	
<b>Center frequency</b>	<b>F<sub>c</sub></b>	MHz	-	2491.75	-
<b>Insertion Loss (2483.5~2500 MHz)</b>	<b>IL</b>	dB	-	3.1	4.25
<b>Amplitude Variation (2483.5~2500) (over any 1.23 MHz span)</b>		dB	-	0.3	1.0
<b>Phase Linearity (2483.5~2500 MHz) (over any 1.23 MHz span)</b>		deg(rms)	-	0.1	2.5
<b>Input/Output VSWR (2483.5~2500 MHz)</b>		-	-	1.9	-
<b>Attenuation (Reference level from 0 dB)</b>					
1610 ~ 1626.5 MHz		dB	33	58	-
2033 ~ 2051 MHz		dB	28	68	-
2259 ~ 2275 MHz		dB	23	54	-
2400 ~ 2440 MHz		dB	13	42	-
2440 ~ 2450 MHz		dB	12	37	-
2570 ~ 2600 MHz		dB	15	62	-
<b>Temperature Coefficient of Frequency</b>		Ppm/°C	-	-36	-

**MEASUREMENT CIRCUIT:**



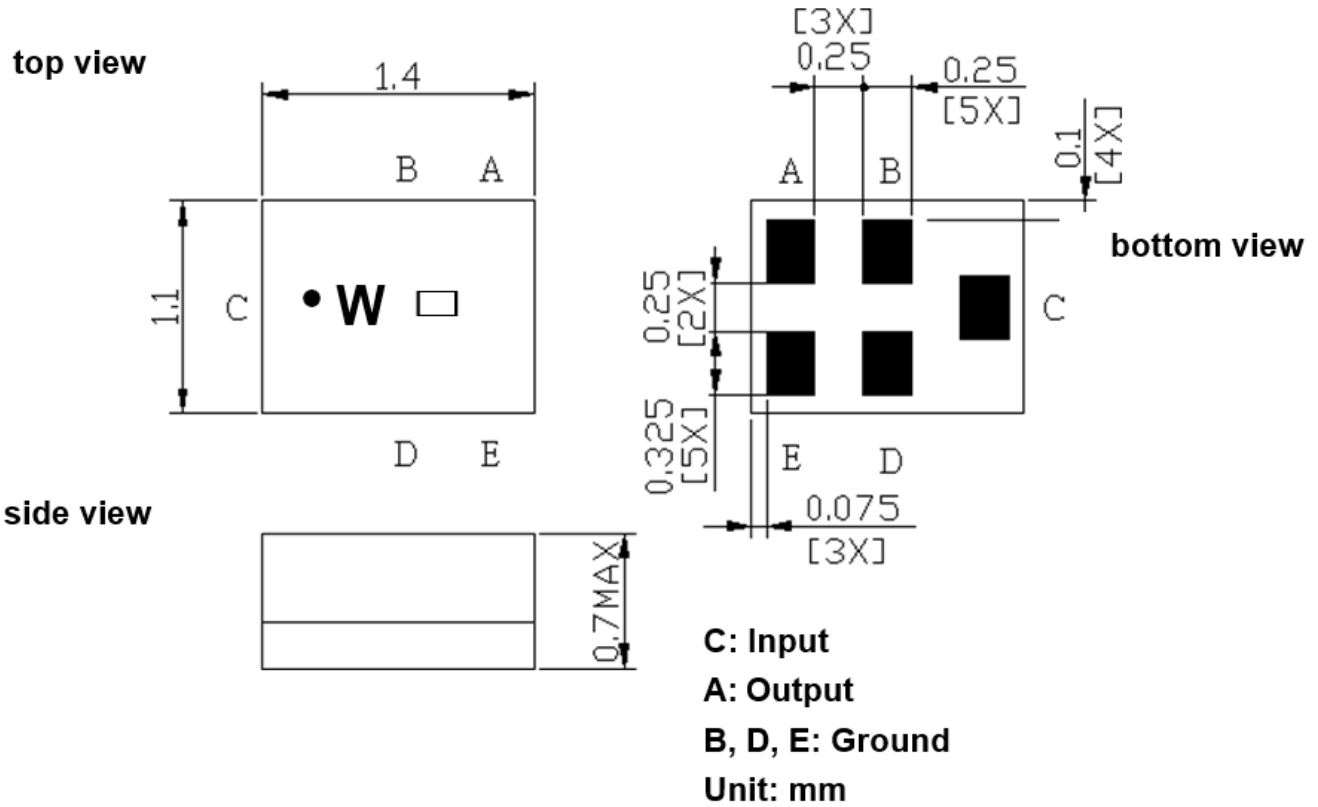


**CAUTION: Electrostatic Sensitive Device. Observe precautions for handling.**

**NOTES:**

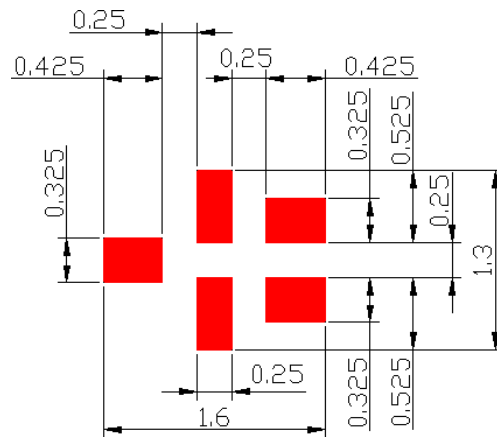
1. The design, manufacturing process, and specifications of this device are subject to change.
2. US or International patents may apply.
3. RoHS compliant from the first date of manufacture.

**OUTLINE DRAWING:**



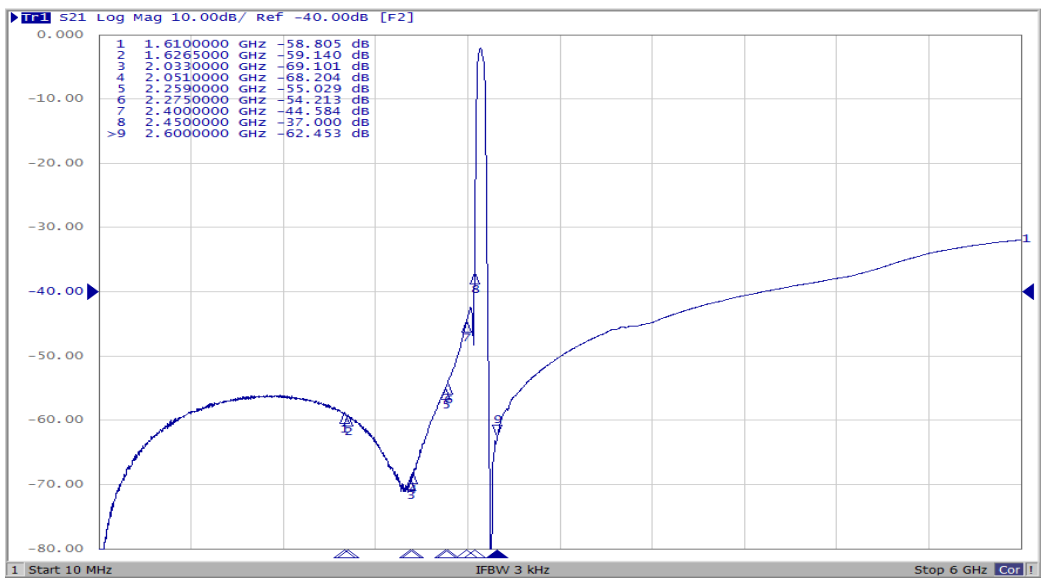
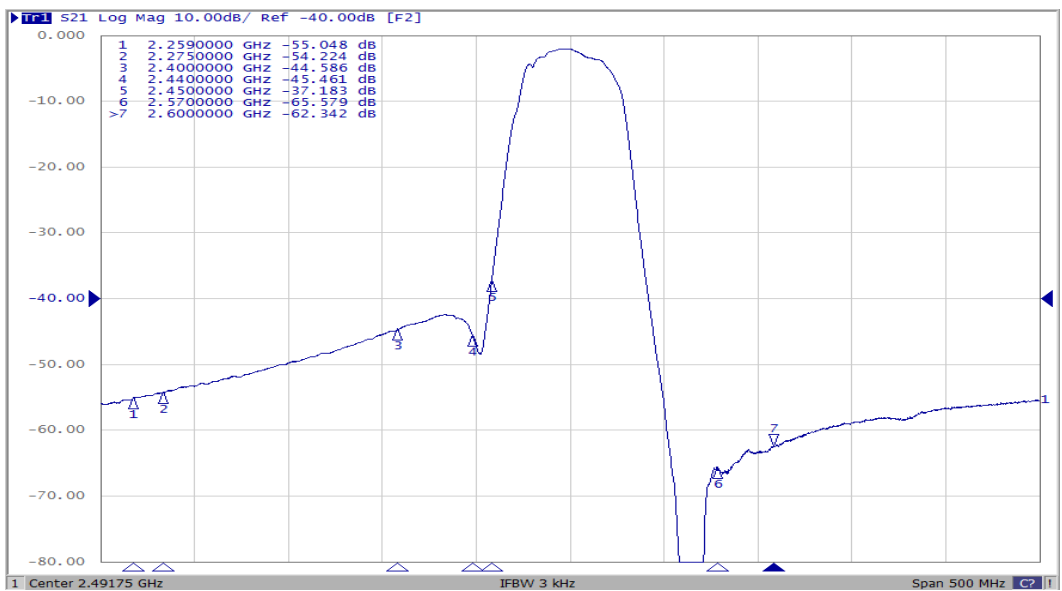
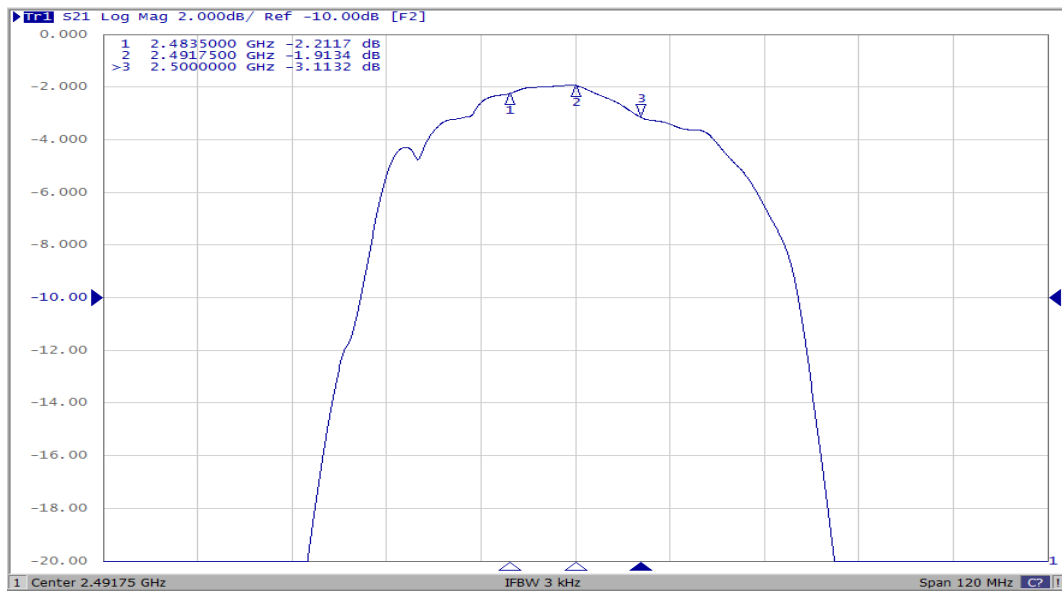
□ : Year/Month Code (Follow the table)

**PCB Footprint:**



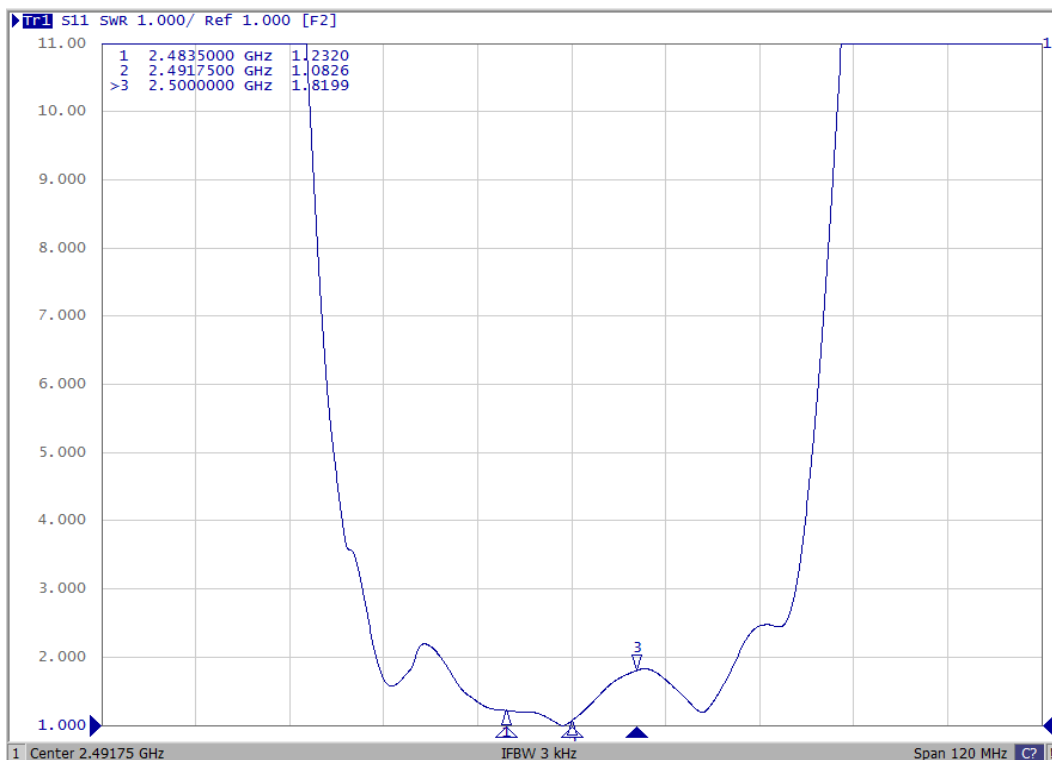
■ : Land Pattern  
Unit : mm

# Frequency Characteristics:

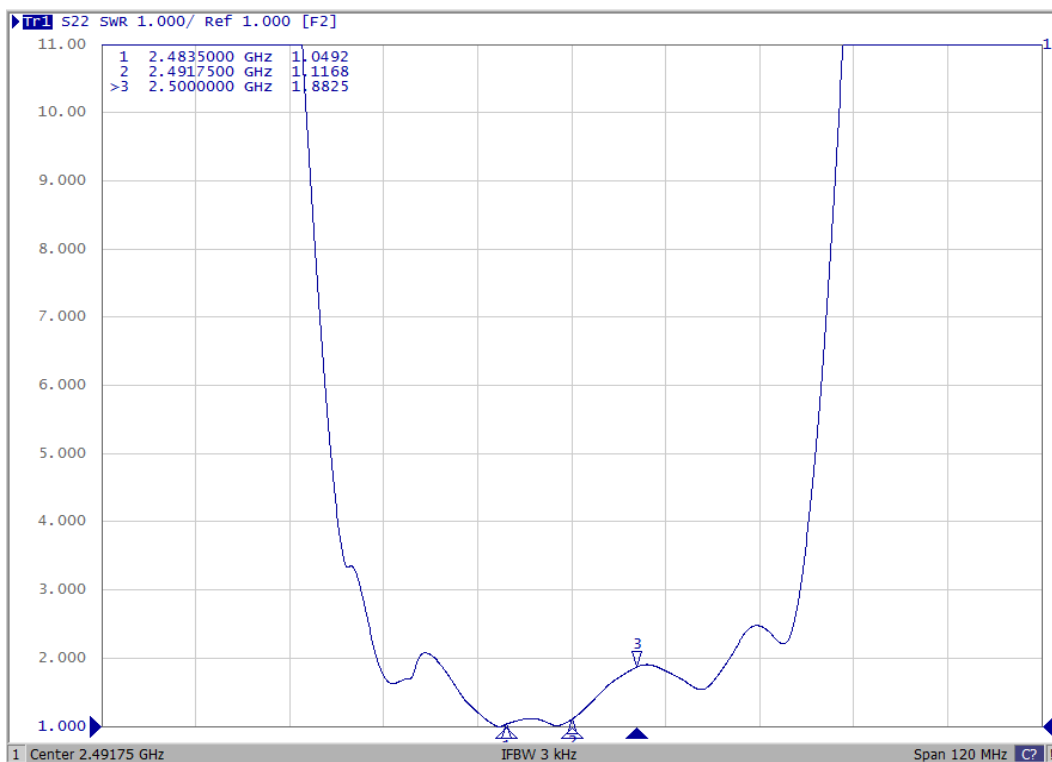


# Reflection Functions:

## S11



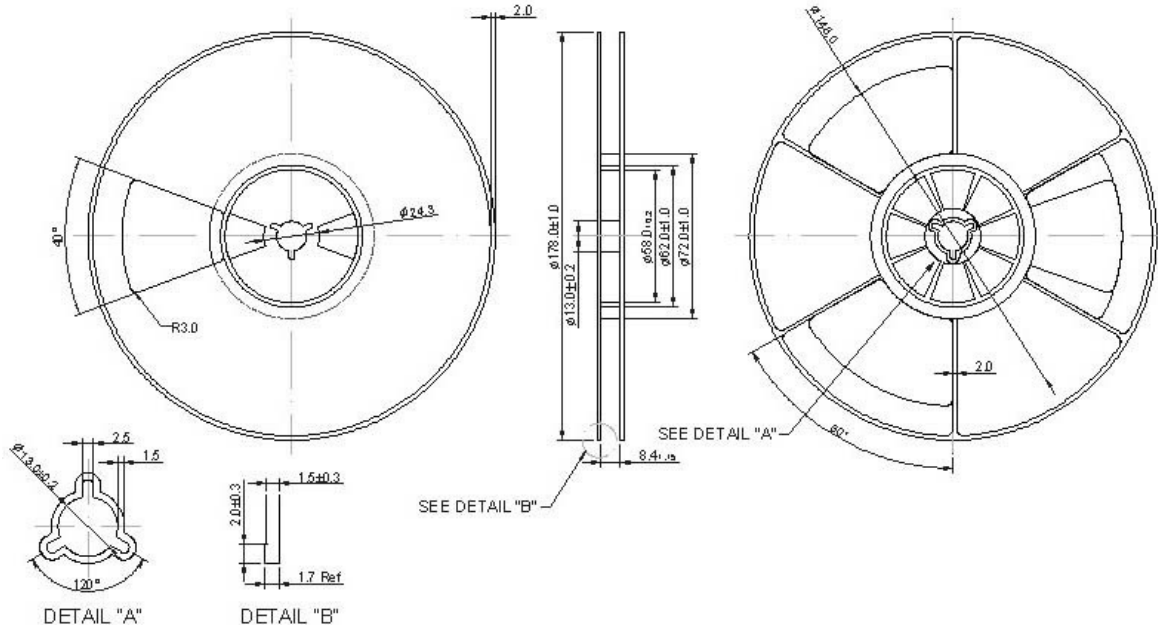
## S22



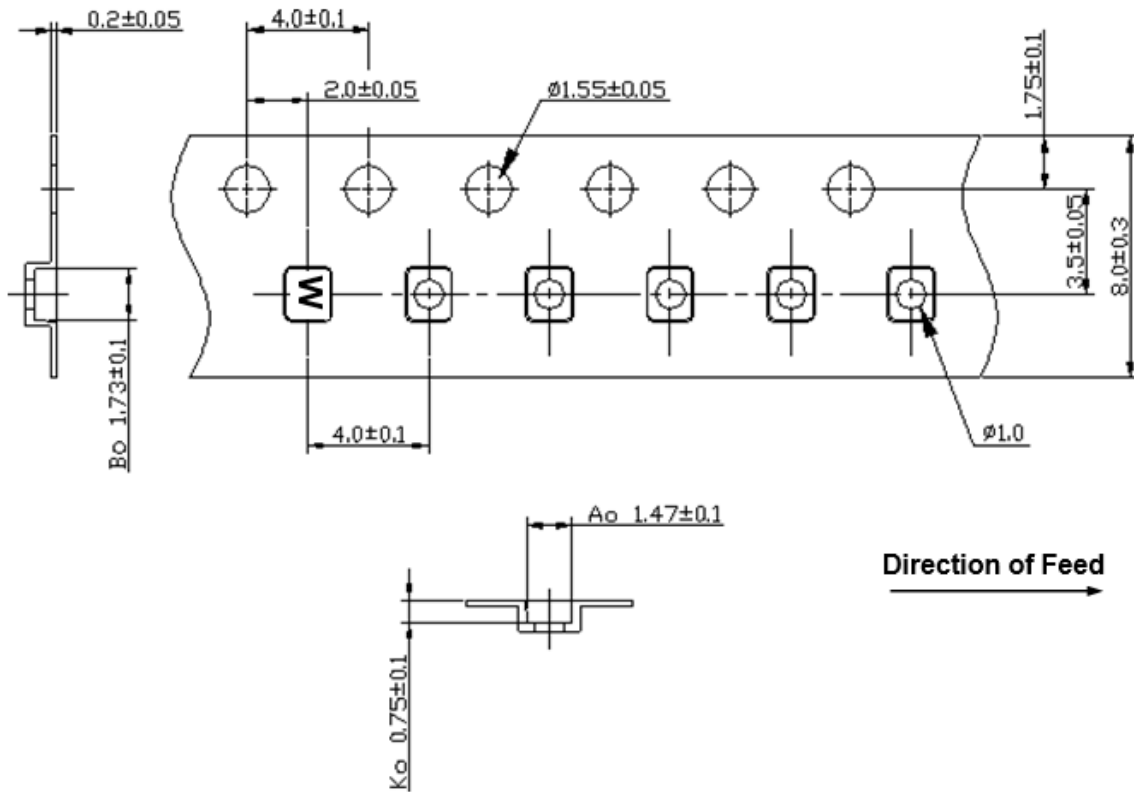
**PACKING:**

**1. REEL DIMENSION**

Reel Count:  
 7" = 3000  
 13" = 10,000



**2. TAPE DIMENSION**



**Recommended Reflow Profile:**

1. Preheating shall be fixed at 150~180°C for 60~90 seconds.
2. Ascending time to preheating temperature 150°C shall be 30 seconds min.
3. Heating shall be fixed at 220°C for 50~80 seconds and at 260°C+0/-5°C peak (20~40sec).
4. Time: 2 times.

