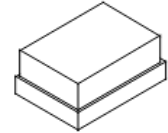


**SF2679K**

**2185 MHz  
SAW Filter**



SM1411-5

**MAXIMUM RATING:**

- Input Power Level: 10 dBm
- DC Voltage : 3V
- Operating Temperature: -30°C to +105°C
- Storage Temperature: -40°C to +105°C
- Moisture Sensitivity Level: 3

**ELECTRICAL CHARACTERISTICS:**

Terminating source impedance :  $Z_s = 50 \Omega$

Terminating load impedance :  $Z_L = 50 \Omega$

Item	Unit	Min.	Type.	Max.	Note
<b>Center Frequency</b> <span style="float:right">Fc</span>	MHz	-	2185	-	-
<b>Max. Insertion Loss</b> (2170~2200 MHz) <span style="float:right">IL</span>	dB	-	2	3.5	-
<b>Amplitude ripple</b> (2170~2200 MHz)	dB	-	0.5	2.3	-
<b>VSWR</b> (2170~2200 MHz)		-	1.6	2.0	-
<b>Attenuation</b> (Reference level from 0 dB)					
0.1~1980 MHz	dB	29	30.5	-	-
1980~2010 MHz	dB	32	39.4	-	-
2010~2110 MHz	dB	20	32	-	-
2260~2300 MHz	dB	20	27	-	-
2300~3500 MHz	dB	29	34	-	-
3500~6000 MHz	dB	20	23	-	-
<b>Temperature Coefficient of Frequency</b>	ppm/°C	-	-36	-	-

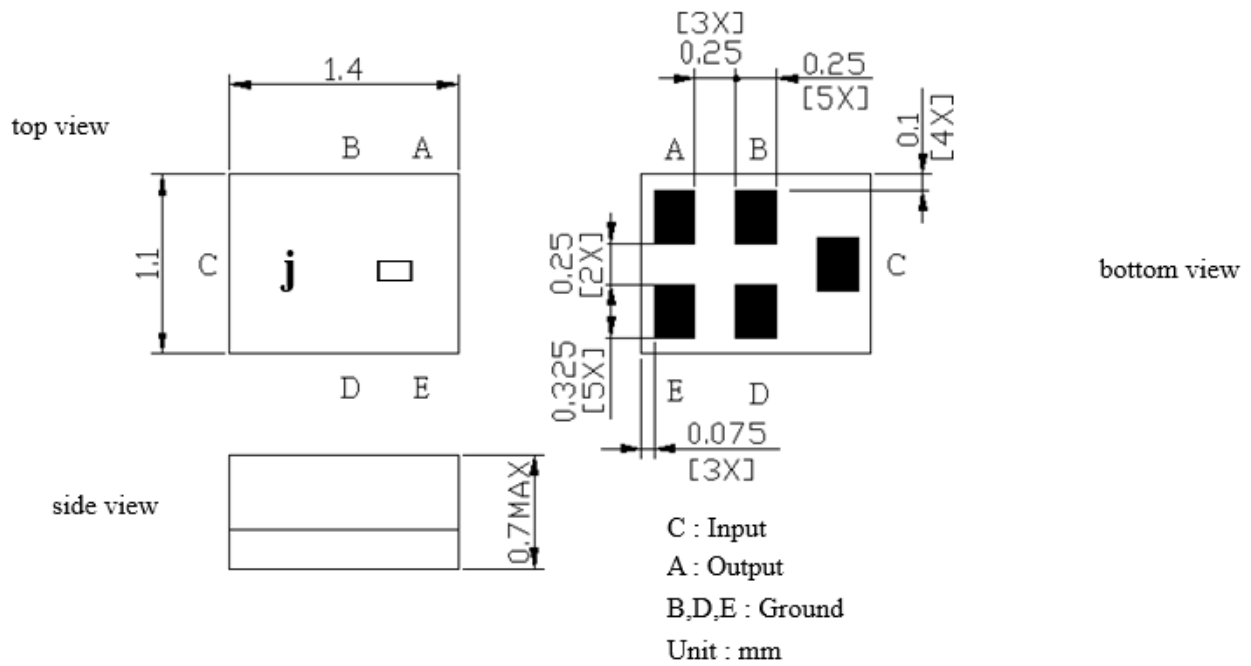


**CAUTION: Electrostatic Sensitive Device. Observe precautions for handling.**

**NOTES:**

1. The design, manufacturing process, and specifications of this device are subject to change.
2. US or International patents may apply.
3. This component was always RoHS compliant from the first date of manufacture.

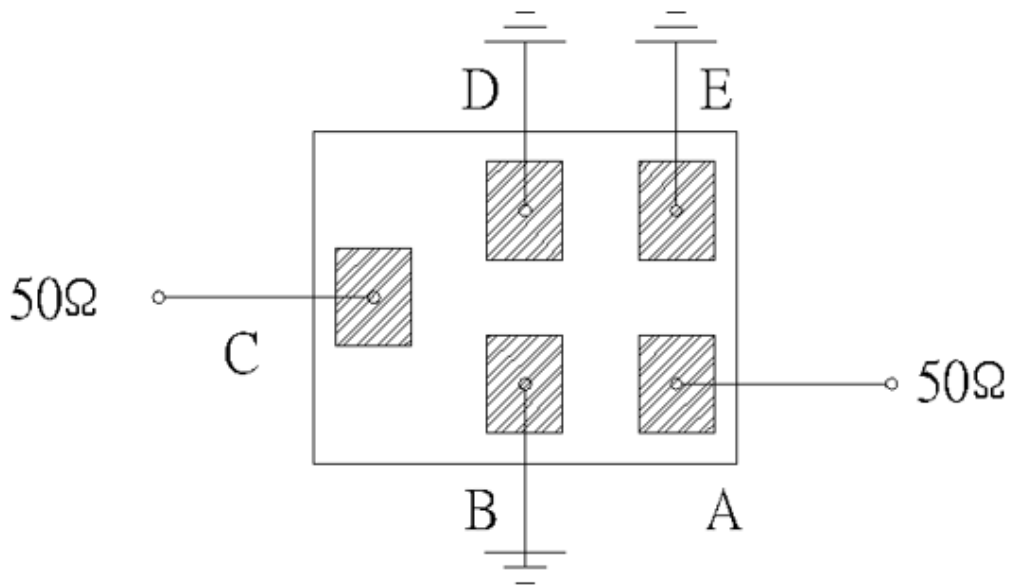
**OUTLINE DRAWING:**



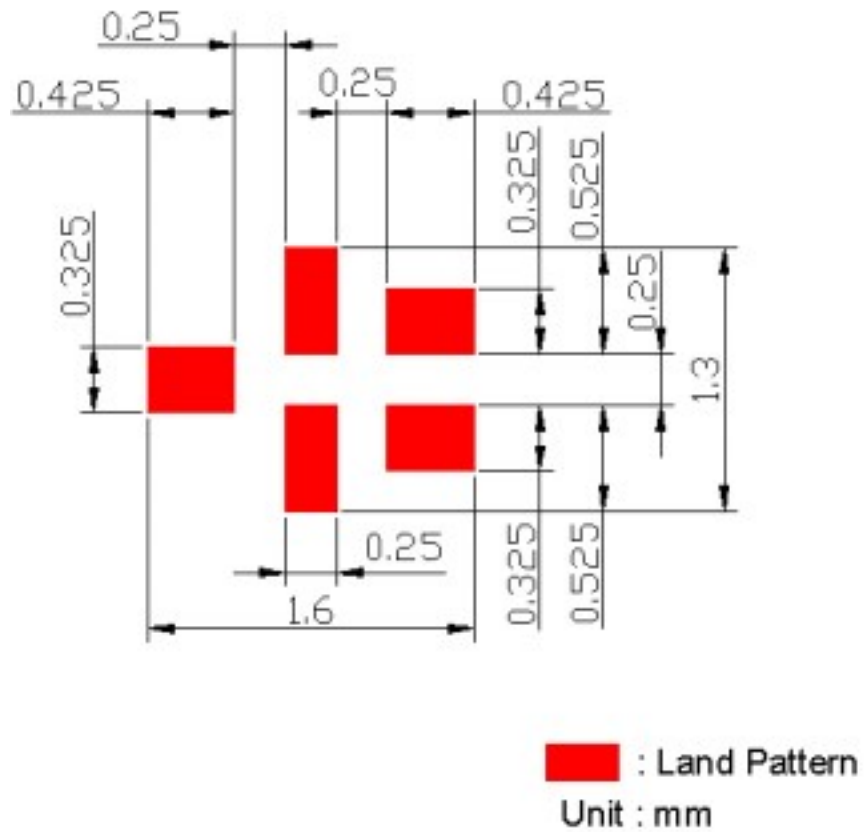
**□ : Year/Month Code (Follow the table)**

YEAR/Month	1	2	3	4	5	6	7	8	9	10	11	12
<b>2013</b>	<b>A</b>	<b>B</b>	<b>C</b>	<b>D</b>	<b>E</b>	<b>F</b>	<b>G</b>	<b>H</b>	<b>J</b>	<b>K</b>	<b>L</b>	<b>M</b>
<b>2014</b>	<b>N</b>	<b>P</b>	<b>Q</b>	<b>R</b>	<b>S</b>	<b>T</b>	<b>U</b>	<b>V</b>	<b>W</b>	<b>X</b>	<b>Y</b>	<b>Z</b>
<b>2015</b>	<b>a</b>	<b>b</b>	<b>c</b>	<b>d</b>	<b>e</b>	<b>f</b>	<b>g</b>	<b>h</b>	<b>j</b>	<b>k</b>	<b>l</b>	<b>m</b>
<b>2016</b>	<b>n</b>	<b>p</b>	<b>q</b>	<b>r</b>	<b>s</b>	<b>t</b>	<b>u</b>	<b>v</b>	<b>w</b>	<b>x</b>	<b>y</b>	<b>z</b>
<b>2017</b>	<b><u>A</u></b>	<b><u>B</u></b>	<b><u>C</u></b>	<b><u>D</u></b>	<b><u>E</u></b>	<b><u>F</u></b>	<b><u>G</u></b>	<b><u>H</u></b>	<b><u>J</u></b>	<b><u>K</u></b>	<b><u>L</u></b>	<b><u>M</u></b>
<b>2018</b>	<b><u>N</u></b>	<b><u>P</u></b>	<b><u>Q</u></b>	<b><u>R</u></b>	<b><u>S</u></b>	<b><u>T</u></b>	<b><u>U</u></b>	<b><u>V</u></b>	<b><u>W</u></b>	<b><u>X</u></b>	<b><u>Y</u></b>	<b><u>Z</u></b>
<b>2019</b>	<b><u>a</u></b>	<b><u>b</u></b>	<b><u>c</u></b>	<b><u>d</u></b>	<b><u>e</u></b>	<b><u>f</u></b>	<b><u>g</u></b>	<b><u>h</u></b>	<b><u>j</u></b>	<b><u>k</u></b>	<b><u>l</u></b>	<b><u>m</u></b>
<b>2020</b>	<b><u>n</u></b>	<b><u>p</u></b>	<b><u>q</u></b>	<b><u>r</u></b>	<b><u>s</u></b>	<b><u>t</u></b>	<b><u>u</u></b>	<b><u>v</u></b>	<b><u>w</u></b>	<b><u>x</u></b>	<b><u>y</u></b>	<b><u>z</u></b>

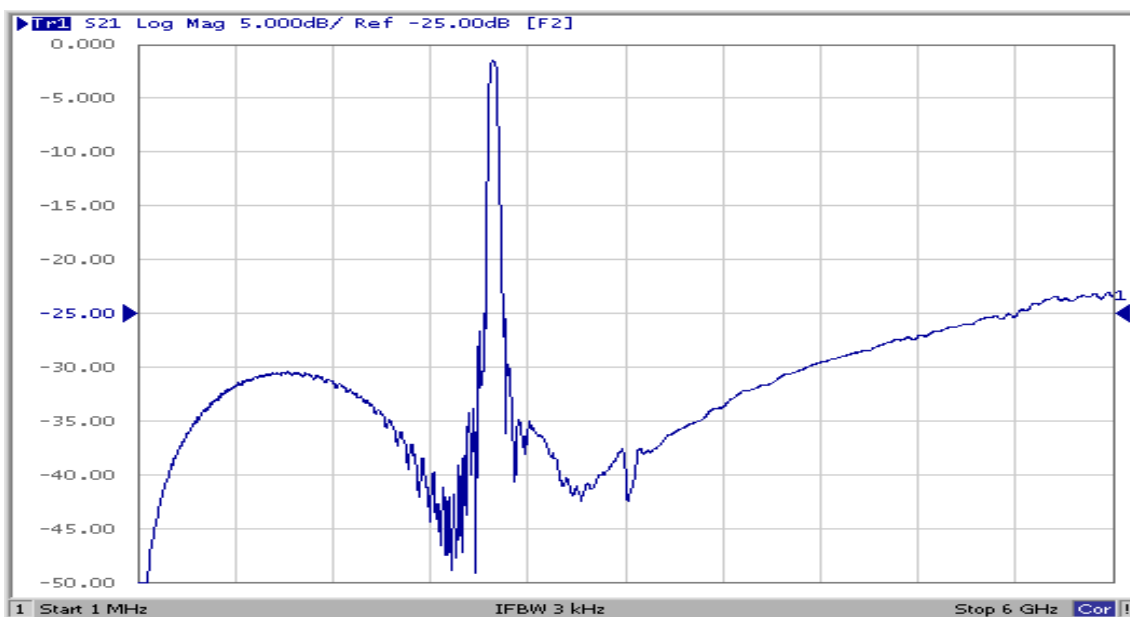
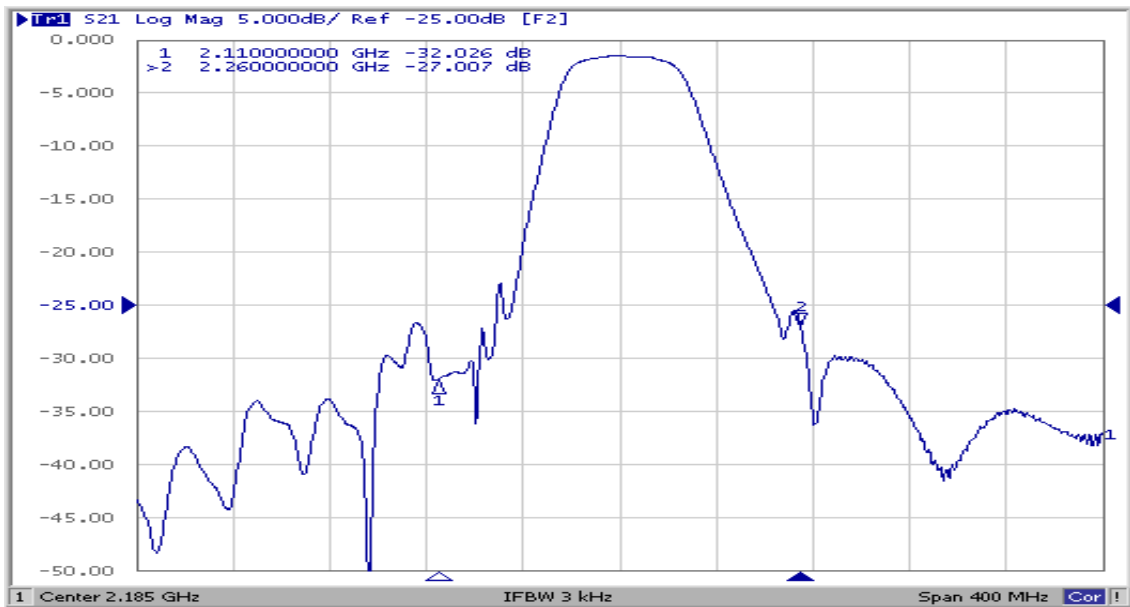
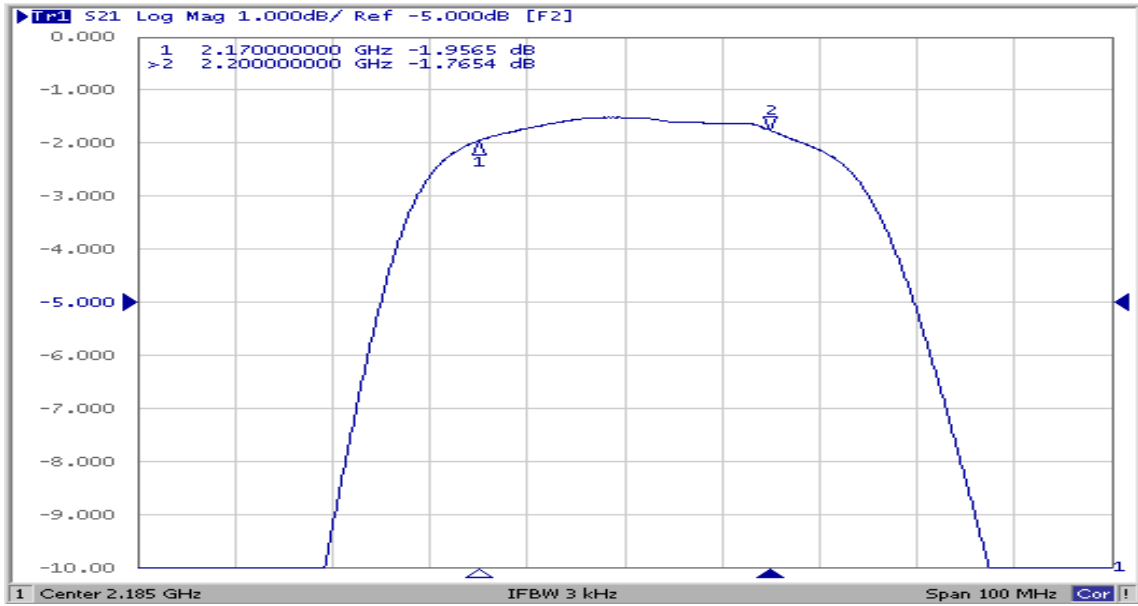
**MEASUREMENT CIRCUIT:**



**PCB Footprint:**

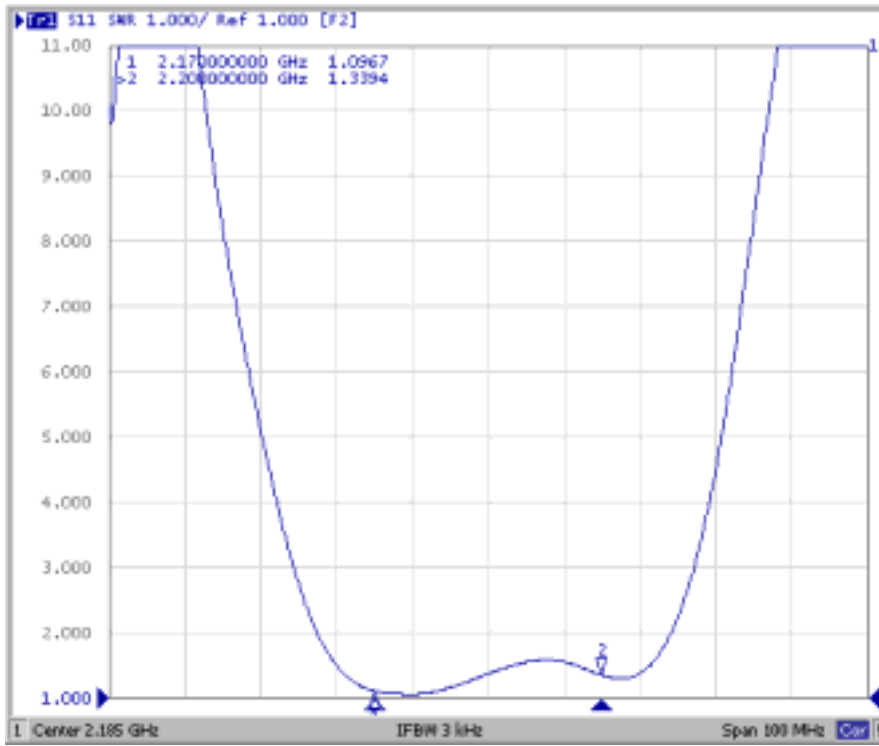


# Frequency Characteristics :

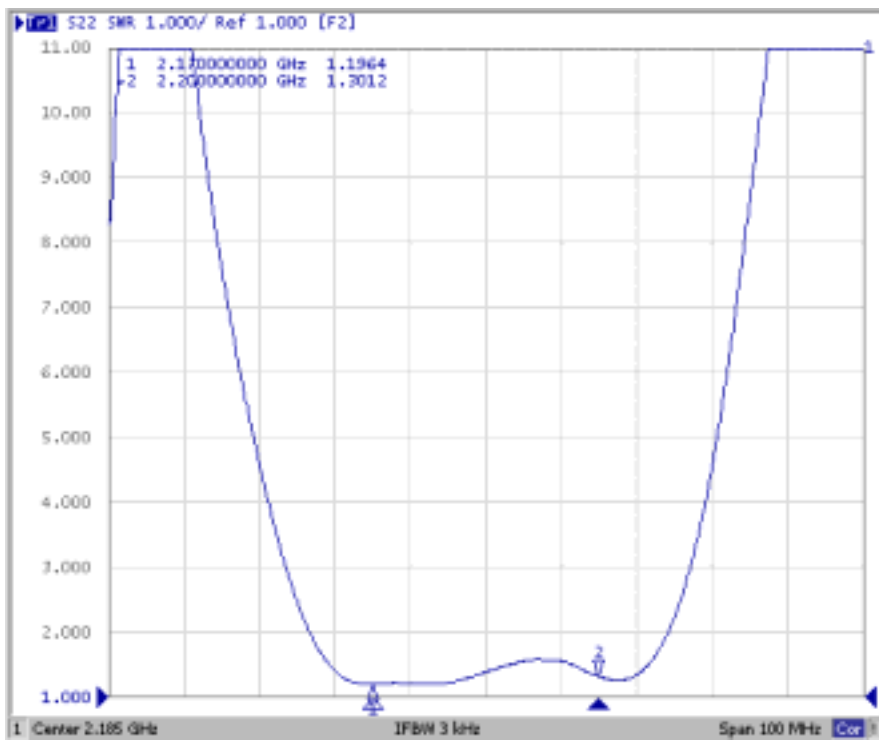


Reflection Functions :

S11



S22

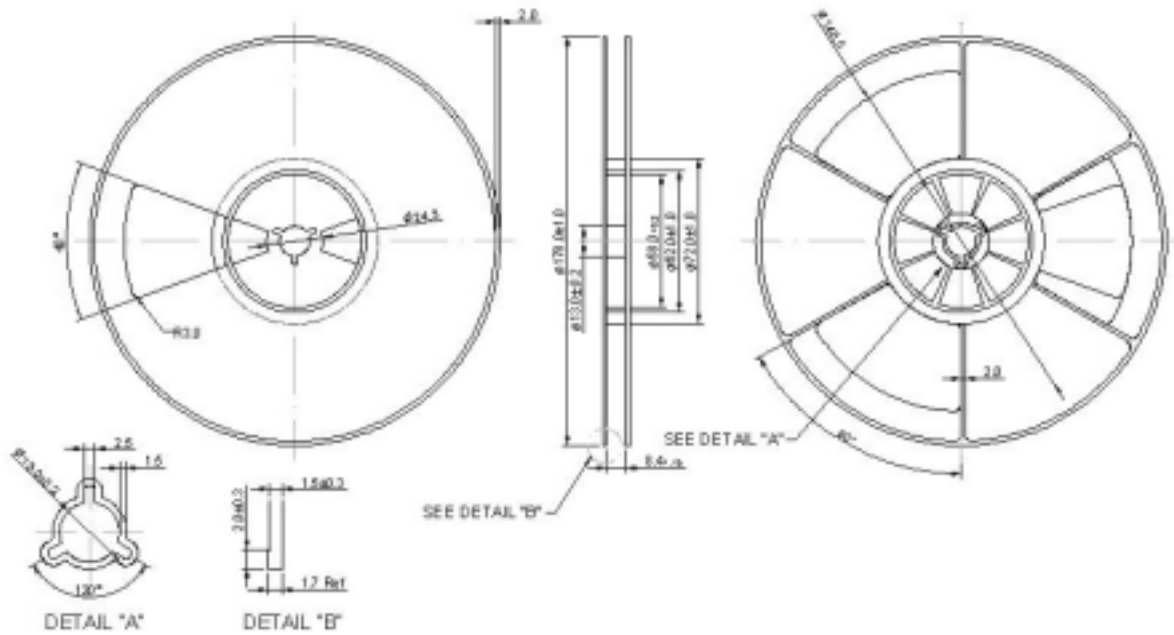


**PACKING:**

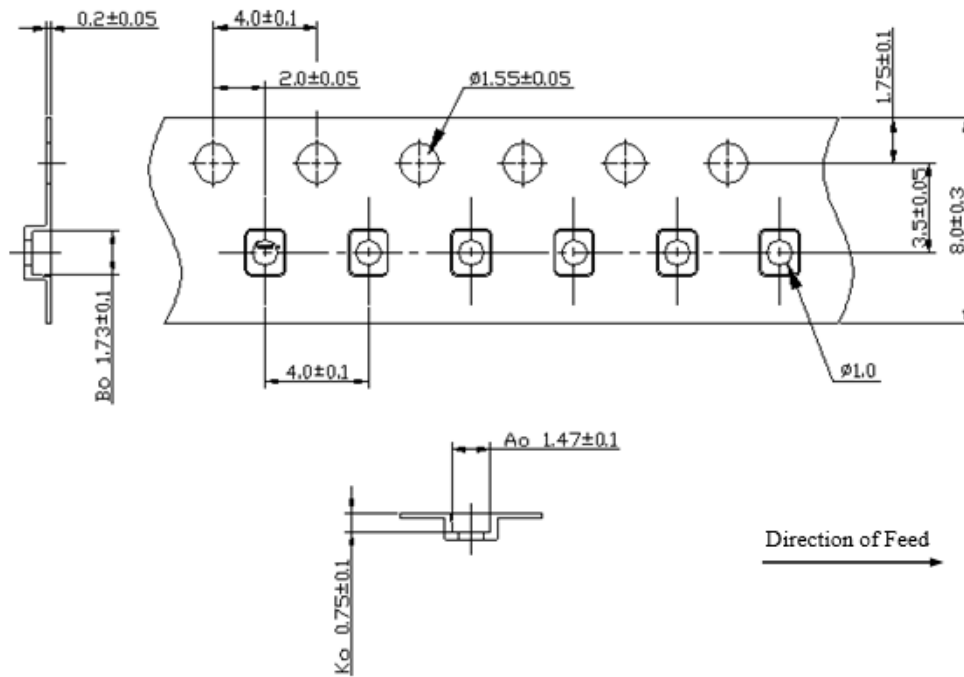
**1. REEL DIMENSION**

Reel Count:

7" = 3000



**2. TAPE DIMENSION**



## RECOMMENDED REFLOW PROFILE :

1. Preheating shall be fixed at 150~180°C for 60~90 seconds.
2. Ascending time to preheating temperature 150°C shall be 30 seconds min.
3. Heating shall be fixed at 220°C for 50~80 seconds and at 245~260°C peak (min. 10sec).
4. Time : 2 times.

