

SF2687L

**915 MHz
SAW Filter**



SM1109

MAXIMUM RATING:

- Input Power Level: 10 dBm
- DC Voltage : 3V
- Operating Temperature: -40°C to +85°C
- Storage Temperature: -40°C to +85°C
- Moisture Sensitivity Level: Level 3 (MSL3)

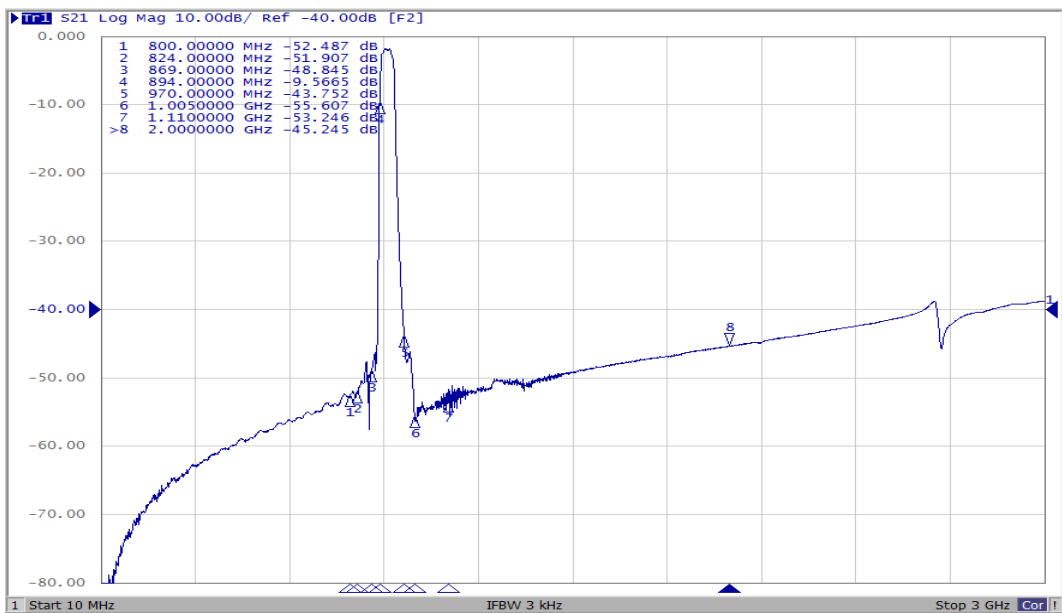
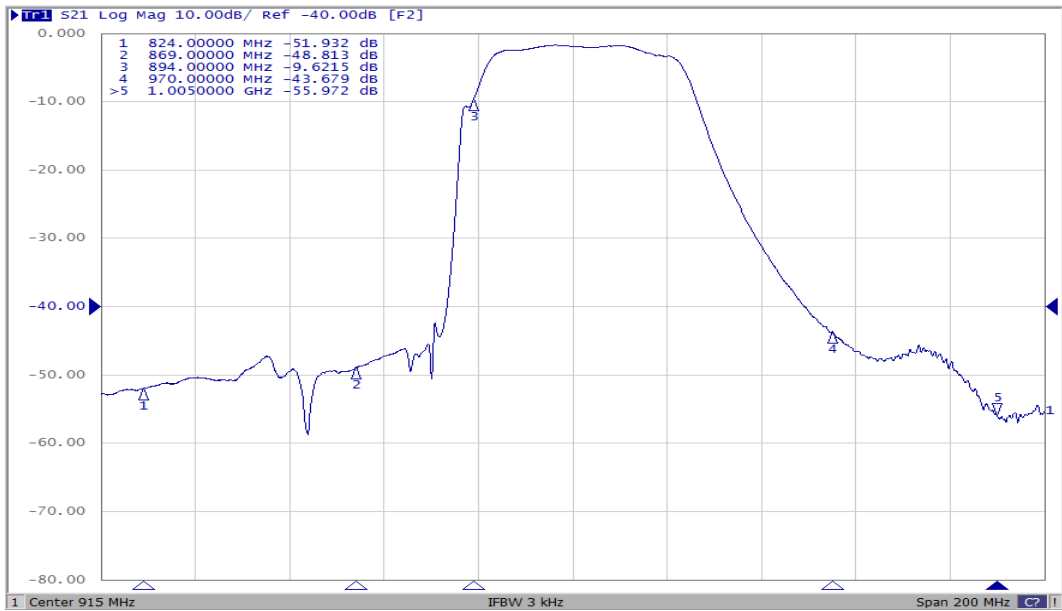
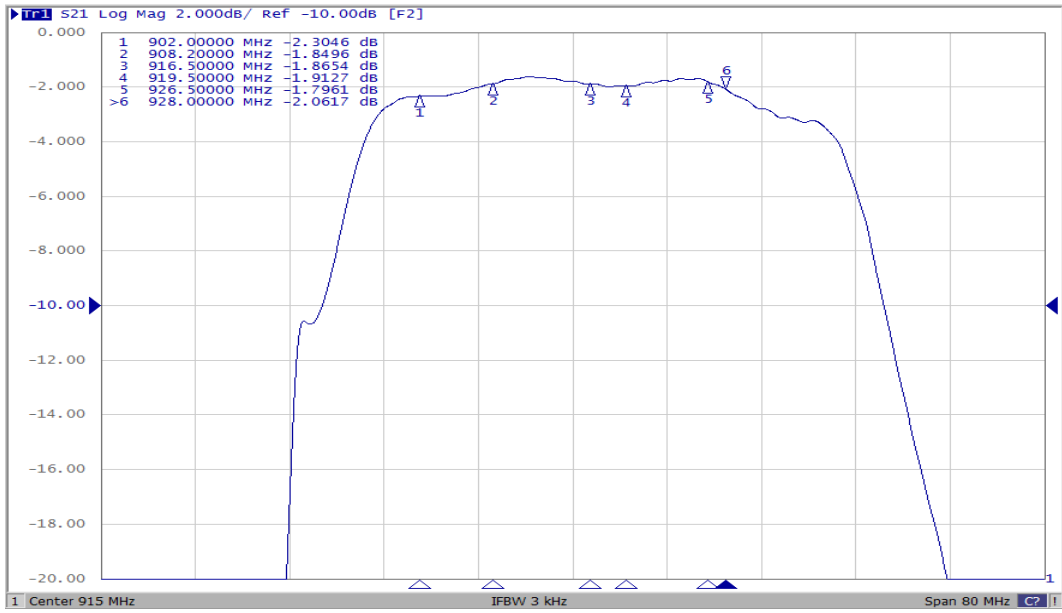
ELECTRICAL CHARACTERISTICS:

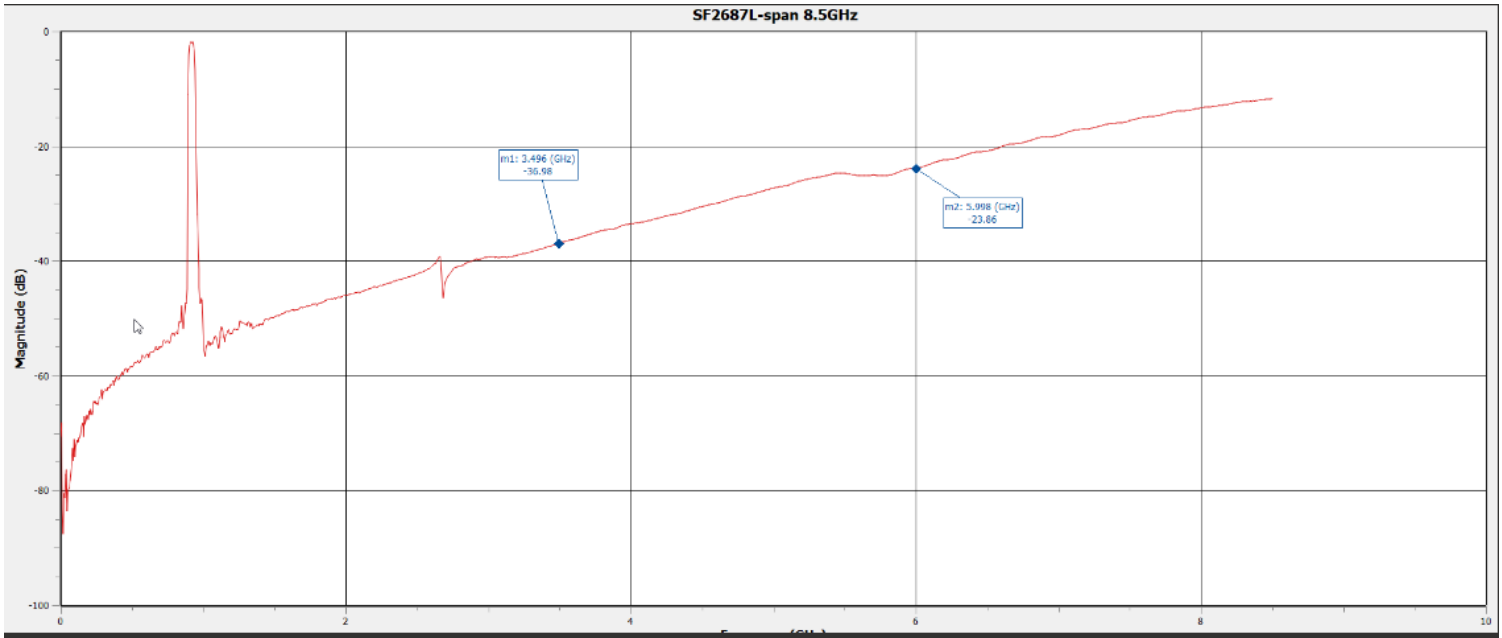
Terminating source impedance: $Z_s = 50 \Omega$ (Single-ended)

Terminating load impedance: $Z_L = 50 \Omega$ (Single-ended)

Item	Unit	Min.	Typ.	Max.
Center frequency Fc	MHz	-	915	-
Insertion Loss (902~928 MHz)	dB	-	2.3	3.8
Insertion Loss (908.2~916.5 MHz)	dB	-	1.9	2.5
Insertion Loss (919.5~926.5 MHz)	dB	-	2.0	3.2
Ripple Deviation (902~928 MHz)	dB	-	0.7	2.2
VSWR (902~928 MHz)	-	-	1.8	2.6
Attenuation (Reference level from 0 dB)				
10 ~ 800 MHz	dB	47	52	-
824 ~ 869 MHz	dB	40	47	-
869 ~ 894 MHz	dB	-	9.5	-
970 ~ 1005 MHz	dB	35	43	-
1005 ~ 1110 MHz	dB	45	51	-
1110 ~ 2000 MHz	dB	30	45	-
2000 ~ 3000 MHz	dB	33	38	-
3000 ~ 6000 MHz	dB	-	29	-
Temperature coefficient of frequency	ppm/k	-	-36	-

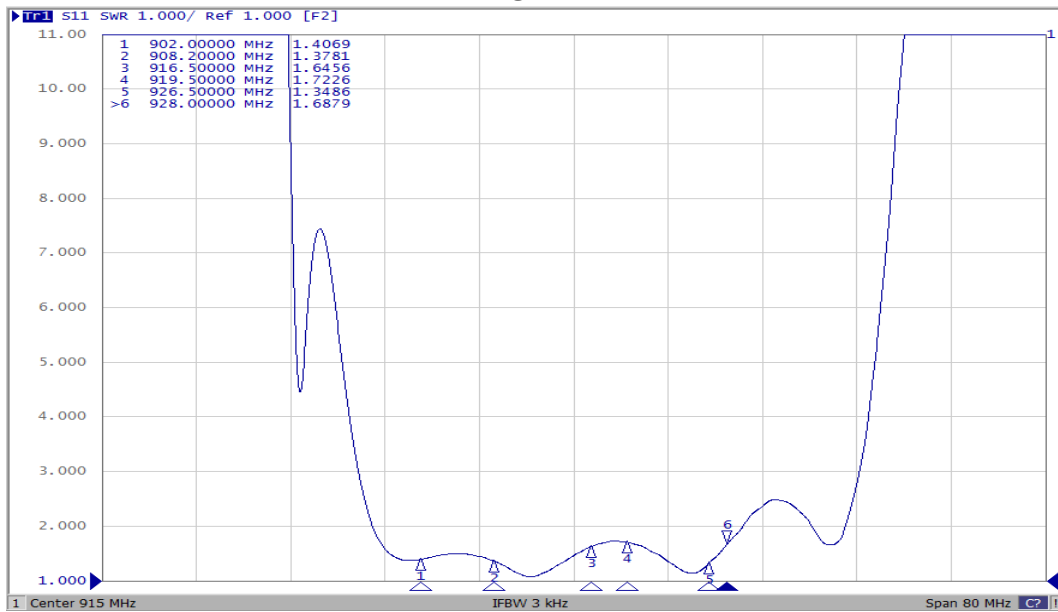
FREQUENCY CHARACTERISTICS:



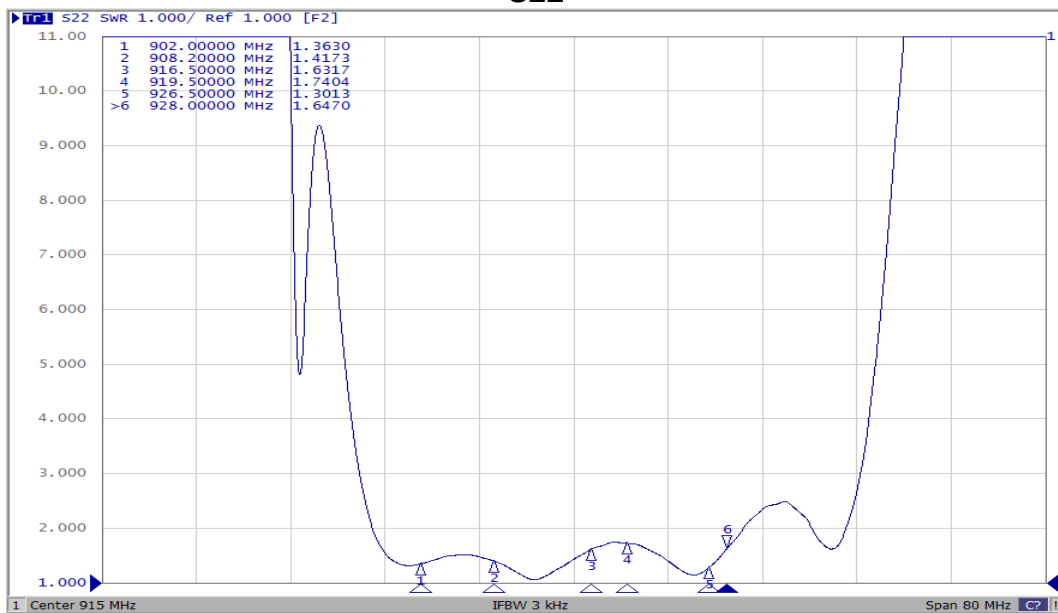


Reflection Functions:

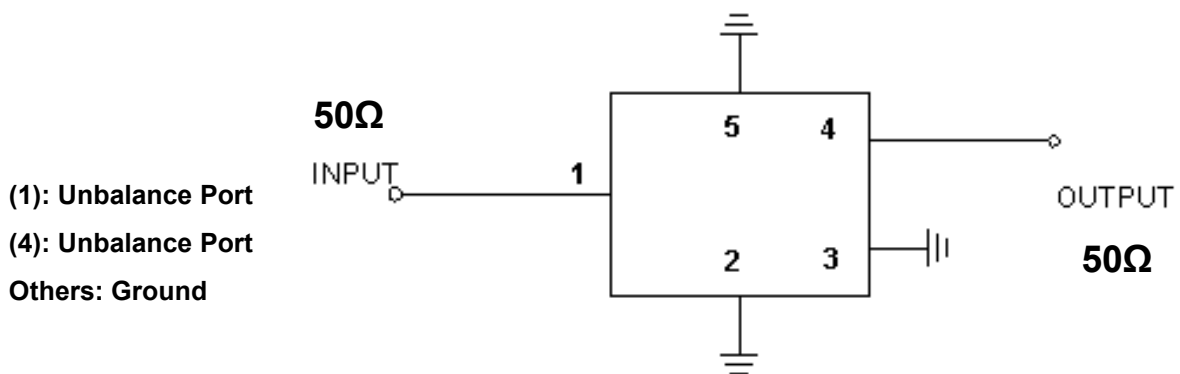
S11



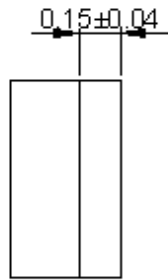
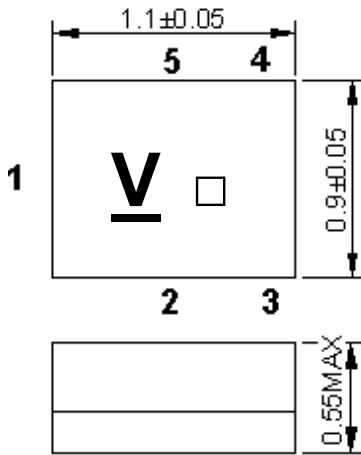
S22



MEASUREMENT CIRCUIT:



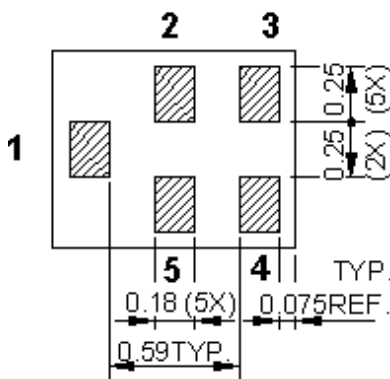
OUTLINE DRAWING



All tolerances are +/-0.05 mm unless otherwise specified
Coplanarity : 0.1 mm max.

1 to 5 : Pin No.

Unit : mm

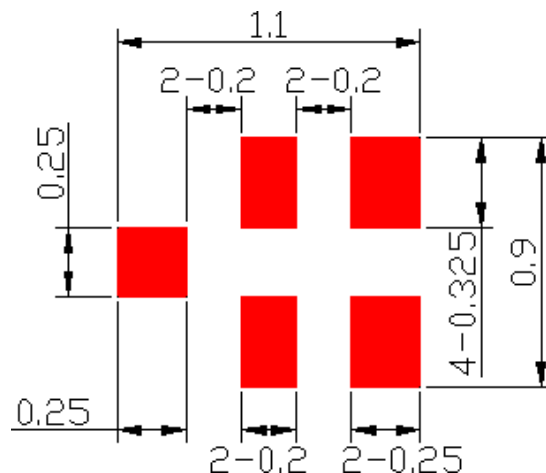


Pin No.	Symbol	Function
1	IN	Input
2	GND	Ground
3	GND	Ground
4	OUT	Output
5	GND	Ground

□ : Year/Month Code (Follow the table)

YEAR/Month	1	2	3	4	5	6	7	8	9	10	11	12
2021	A	B	C	D	E	F	G	H	J	K	L	M
2022	N	P	Q	R	S	T	U	V	W	X	Y	Z
2023	a	b	c	d	e	f	g	h	j	k	l	m
2024	n	p	q	r	s	t	u	v	w	x	y	z
2025	<u>A</u>	<u>B</u>	<u>C</u>	<u>D</u>	<u>E</u>	<u>F</u>	<u>G</u>	<u>H</u>	<u>J</u>	<u>K</u>	<u>L</u>	<u>M</u>
2026	<u>N</u>	<u>P</u>	<u>Q</u>	<u>R</u>	<u>S</u>	<u>T</u>	<u>U</u>	<u>V</u>	<u>W</u>	<u>X</u>	<u>Y</u>	<u>Z</u>
2027	<u>a</u>	<u>b</u>	<u>c</u>	<u>d</u>	<u>e</u>	<u>f</u>	<u>g</u>	<u>h</u>	<u>j</u>	<u>k</u>	<u>l</u>	<u>m</u>
2028	<u>n</u>	<u>p</u>	<u>q</u>	<u>r</u>	<u>s</u>	<u>t</u>	<u>u</u>	<u>v</u>	<u>w</u>	<u>x</u>	<u>y</u>	<u>z</u>

PCB Footprint :



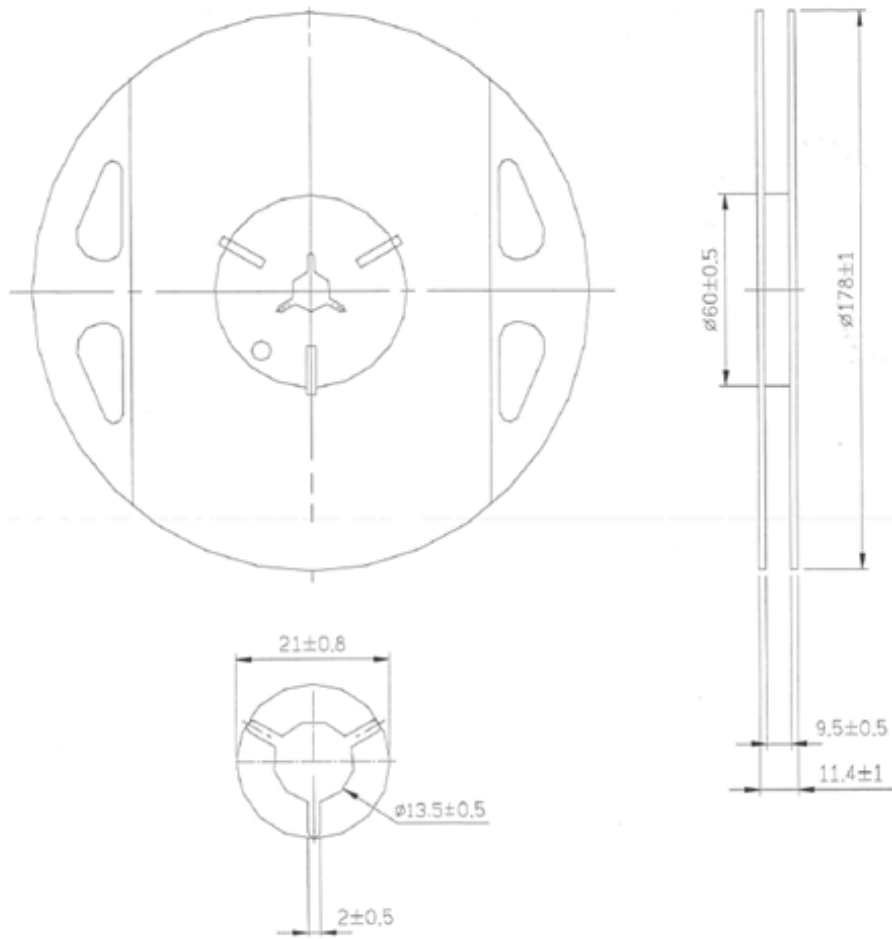
■ : Land Pattern

Unit: mm

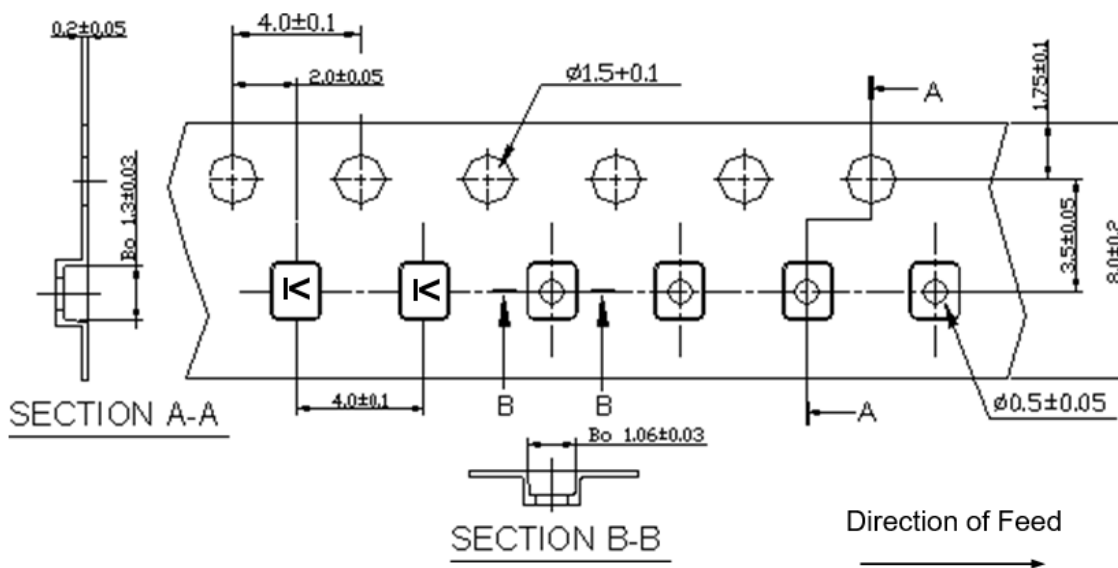
PACKING:

Reel Count: 7" = 3000

1. REEL DIMENSION

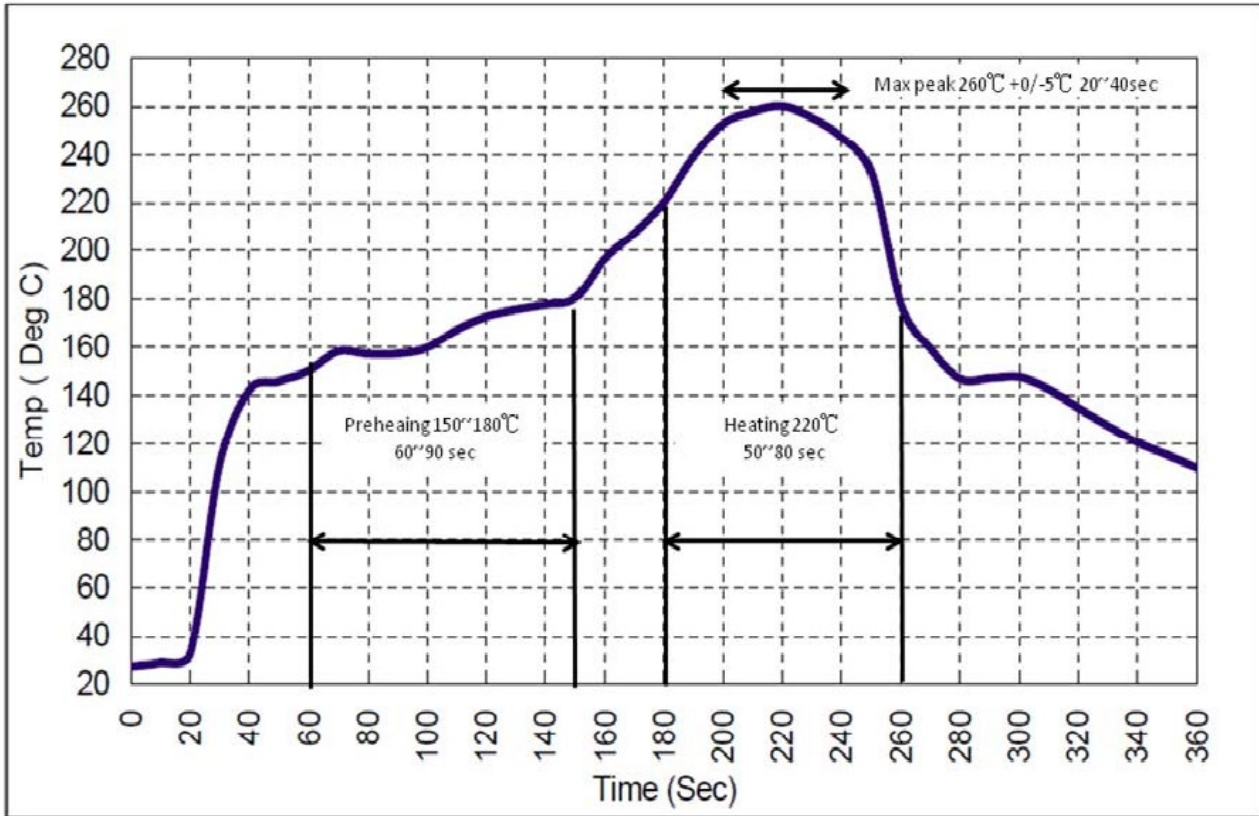


2. TAPE DIMENSION



RECOMMENDED REFLOW PROFILE:

1. Preheating shall be fixed at 150~180°C for 60~90 seconds.
2. Ascending time to preheating temperature 150°C shall be 30 seconds min.
3. Heating shall be fixed at 220°C for 50~80 seconds and at 260°C+0/-5°C peak (20~40sec).
4. Time: 2 times.



CAUTION: Electrostatic Sensitive Device. Observe precautions for handling.

NOTES:

1. The design, manufacturing process, and specifications of this device are subject to change.
2. US or International patents may apply.
3. RoHS compliant from the first date of manufacture.