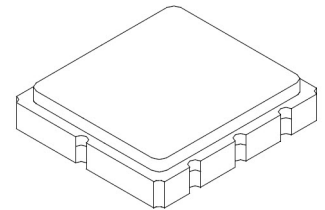


SF2695D

**525 MHz
SAW Filter**



SM3838-6

MAXIMUM RATING:

- Input Power Level: 10 dB_m
- DC voltage: 5 V
- Operating Temperature: -30°C to 60°C
- Storage Temperature: -40°C to +85°C
- Moisture Sensitivity Level: 1

CHARACTERISTICS:

1. Ambient Temperature: 25 °C

Item	Unit	Min.	Typ.	Max.
Center frequency, F _c	MHz	-	525	-
Amplitude ripple (513 ~ 537 MHz)	dB	-	1.1	1.7
Insertion loss, IL (513 ~ 537 MHz)	dB	-	2.2	3.0
Group Delay, GD (513 ~ 537 MHz)	ns	-	46	200
Bandwidth @ -3 dB		24	34.9	-
Attenuation (reference from 0dB)				
0.3 ~ 480 MHz	dB	32	37	-
480 ~ 495 MHz	dB	10	20	-
555 ~ 600 MHz	dB	10	19	-
600 ~ 825 MHz	dB	39	44	-
825 ~ 1000 MHz	dB	32	37	-
Source impedance, Z _s	Ω	-	50	-
Load impedance, Z _L	Ω	-	50	-

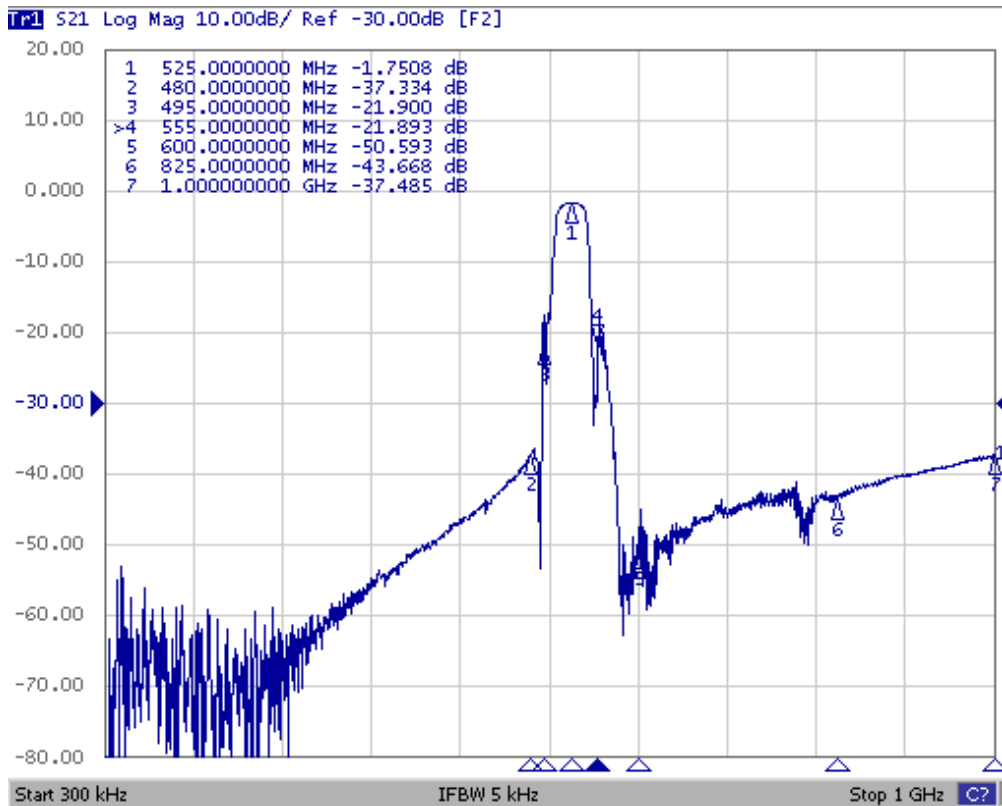
Note1. No matching network required for operation at 50Ω

1. Ambient Temperature: -30°C ~ 60°C

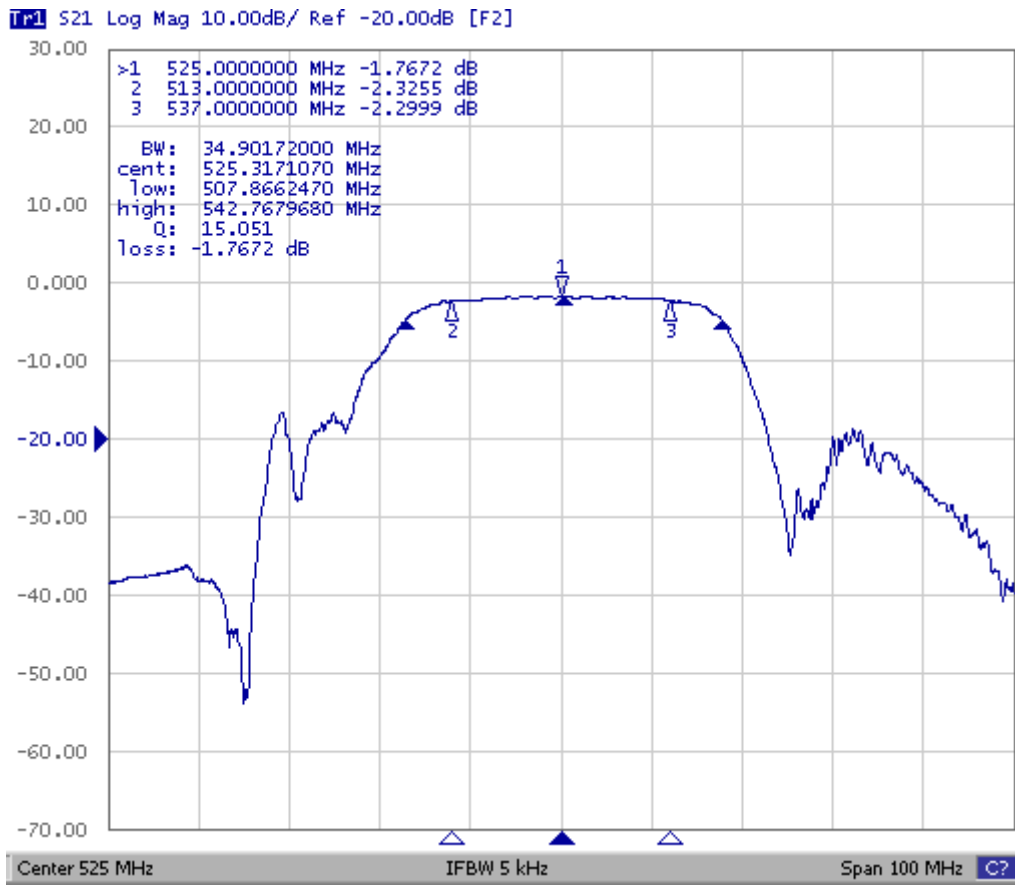
Item	Unit	Min.	Typ.	Max.
Center frequency, Fc	MHz	-	525	-
Amplitude ripple (513 ~ 537 MHz)	dB	-	1.1	2.0
Insertion loss, IL (513 ~ 537 MHz)	dB	-	2.2	4.0
Group Delay, GD (513 ~ 537 MHz)	ns	-	46	200
Bandwidth @ -3 dB		24	34.9	-
Attenuation (reference from 0dB)				
0.3 ~ 480 MHz	dB	32	37	-
480 ~ 495 MHz	dB	10	20	-
555 ~ 600 MHz	dB	10	19	-
600 ~ 825 MHz	dB	39	44	-
825 ~ 1000 MHz	dB	32	37	-
Source impedance, Z _s	Ω	-	50	-
Load impedance, Z _L	Ω	-	50	-

Note1. No matching network required for operation at 50Ω

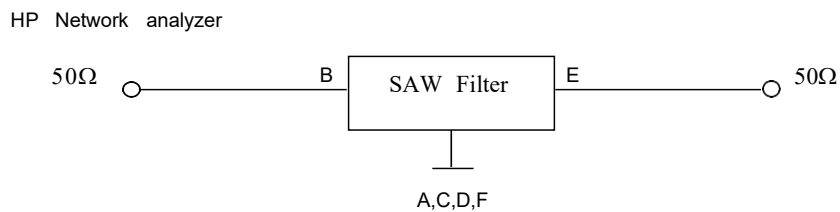
Transfer Function :
Wideband



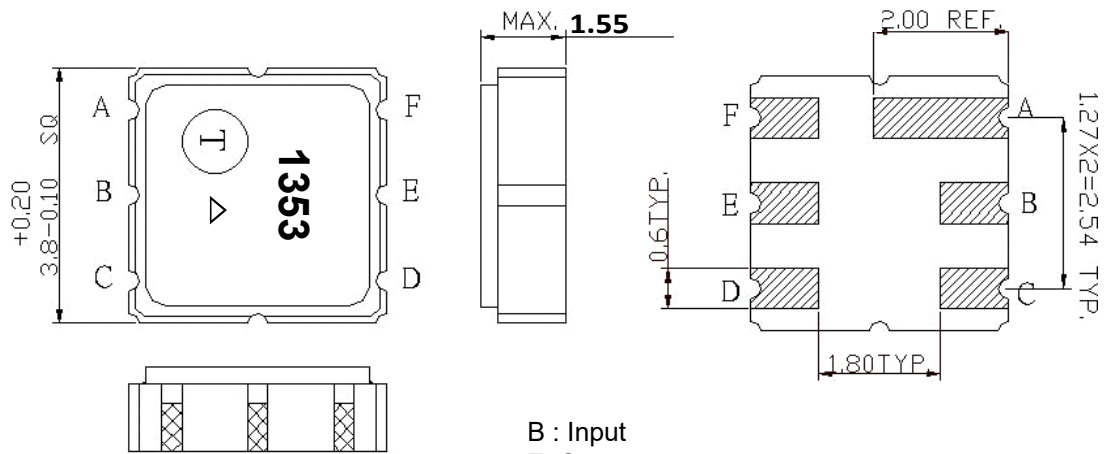
Passband



MEASUREMENT CIRCUIT:



OUTLINE DRAWING:



B : Input
 E: Output
 A,C,D,F Ground
 △:Year Code
 □: Date Code
 Unit: mm

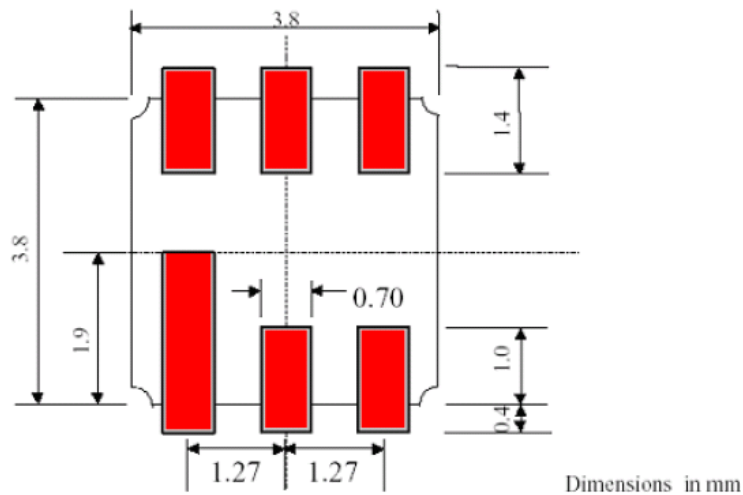
△ Product Year Code

Year	2011 2013 2015	2012 2014 2016
Product Code	A	a

Week Code Table

WK01	WK02	WK03	WK04	WK05	WK06	WK07	WK08	WK09	WK10	WK11	WK12	WK13
A	B	C	D	E	F	G	H	I	J	K	L	M
WK14	WK15	WK16	WK17	WK18	WK19	WK20	WK21	WK22	WK23	WK24	WK25	WK26
N	O	P	Q	R	S	T	U	V	W	X	Y	Z
WK27	WK28	WK29	WK30	WK31	WK32	WK33	WK34	WK35	WK36	WK37	WK38	WK39
a	b	c	d	e	f	g	h	i	j	k	l	m
WK40	WK41	WK42	WK43	WK44	WK45	WK46	WK47	WK48	WK49	WK50	WK51	WK52
n	o	p	q	r	s	t	u	v	w	x	y	z

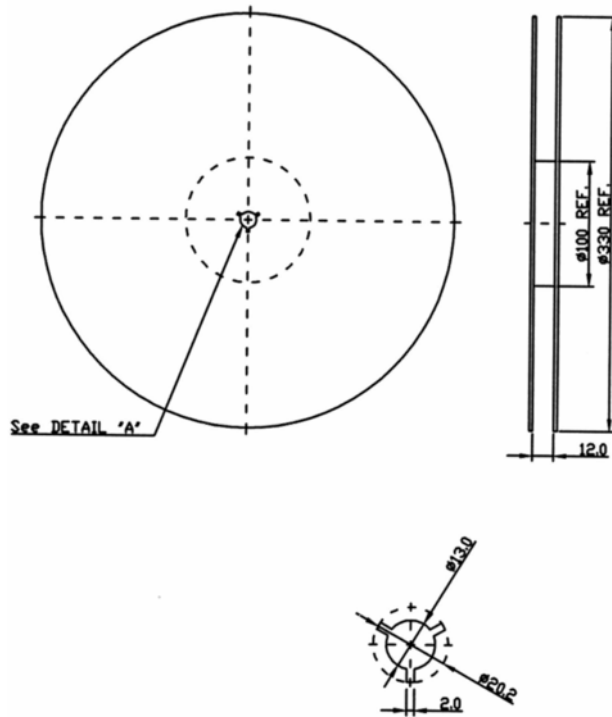
PCB Footprint:



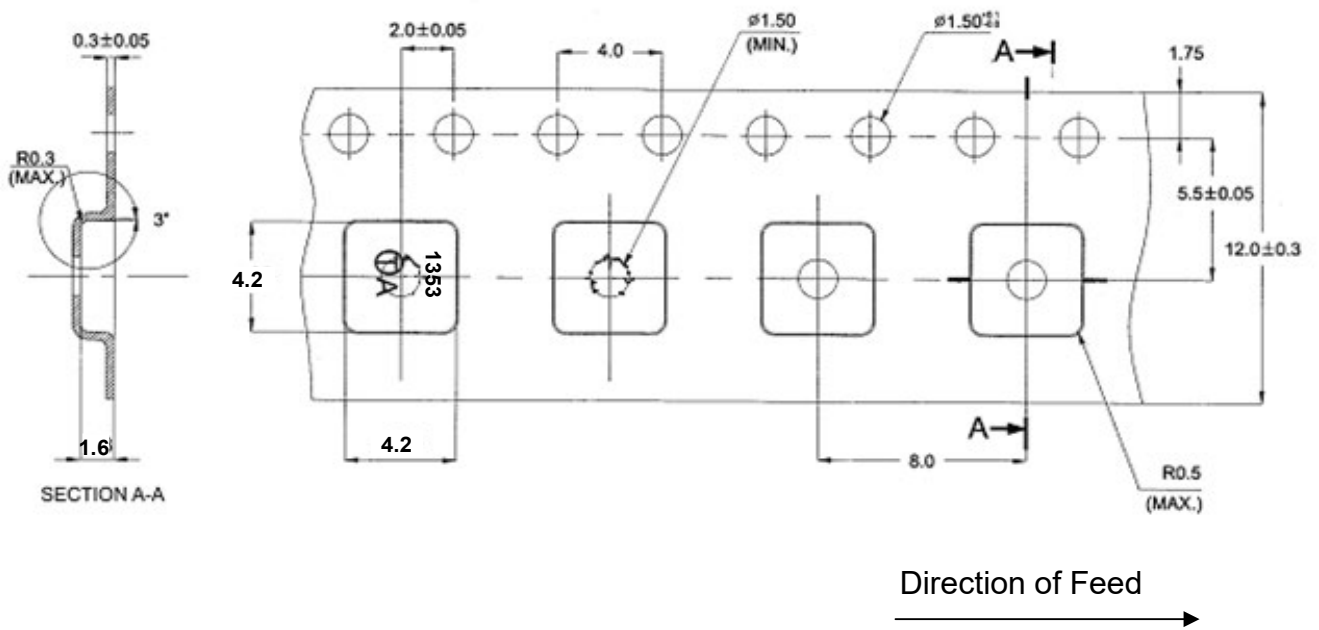
PACKING:

Reel Count:
7" = 500
13" = 3000

1. REEL DIMENSION

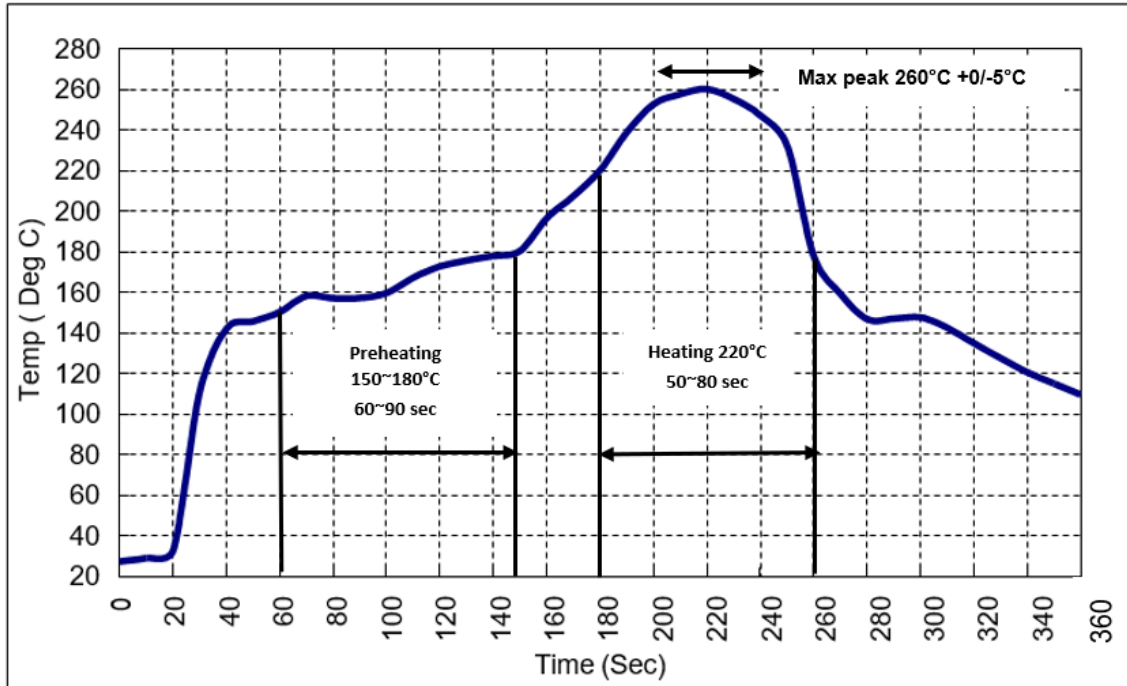


2. TAPE DIMENSION



RECOMMENDED REFLOW PROFILE :

1. Preheating shall be fixed at 150~180°C for 60~90 seconds.
2. Ascending time to preheating temperature 150°C shall be 30 seconds min.
3. Heating shall be fixed at 220°C for 50~80 seconds and at 260°C +0/-5°C peak (10 seconds).
4. Time: 5 times maximum.



CAUTION: Electrostatic Sensitive Device. Observe precautions for handling.

NOTES:

1. The design, manufacturing process, and specifications of this device are subject to change.
2. US or International patents may apply.
3. RoHS compliant from the first date of manufacture.