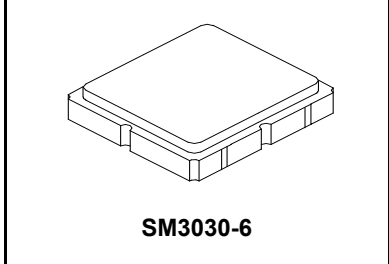


SF2698E

**2345 MHz
SAW Filter**



MAXIMUM RATING:

- Input Power Level: 13 dBm
- DC Voltage : 3V
- Operating Temperature: -40°C to +85°C (1)
- Storage Temperature: -40°C to +85°C
- Moisture Sensitivity Level: 1

ELECTRICAL CHARACTERISTICS:

Terminating source impedance : $Z_s = 50 \Omega$

Terminating load impedance : $Z_L = 50 \Omega$

Item	Unit	Min.	Type.	Max.	Note
Center Frequency Fc	MHz	-	2345	-	-
Max. Insertion Loss (2320 ~ 2370 MHz)	dB	-	2.5	4.0	-
Passband ripple (2320 ~ 2370 MHz)	dB	-	1.0	2.0	-
S11&S22 VSWR (2320 ~ 2370 MHz)			2.3	2.5	
Source Impedance (single ended)	Ω	-	50	-	-
Load Impedance (single ended)	Ω	-	50	-	-
Attenuation					
10 ~ 2190 MHz	dB	30	36	-	-
2190 ~ 2290 MHz	dB	5	14	-	-
2400 ~ 2460 MHz	dB	15	24	-	-
2460 ~ 3000 MHz	dB	35	46	-	-
Package size	mm	3.0x3.0			

Notes:

- (1). In production, devices will be tested at room temperature to a guardbanded specification to ensure electrical compliance over temperature.
- (2). Typical values are based on average measurements at room temperature.



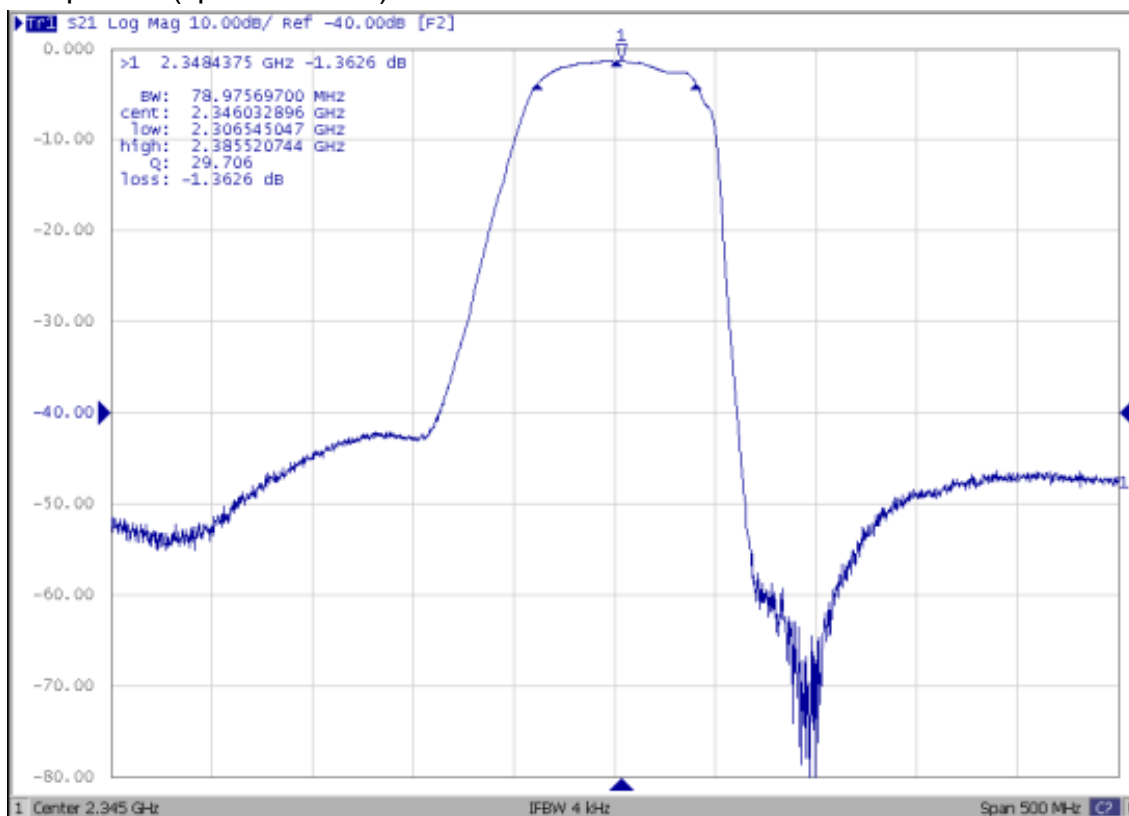
CAUTION: Electrostatic Sensitive Device. Observe precautions for handling.

NOTES:

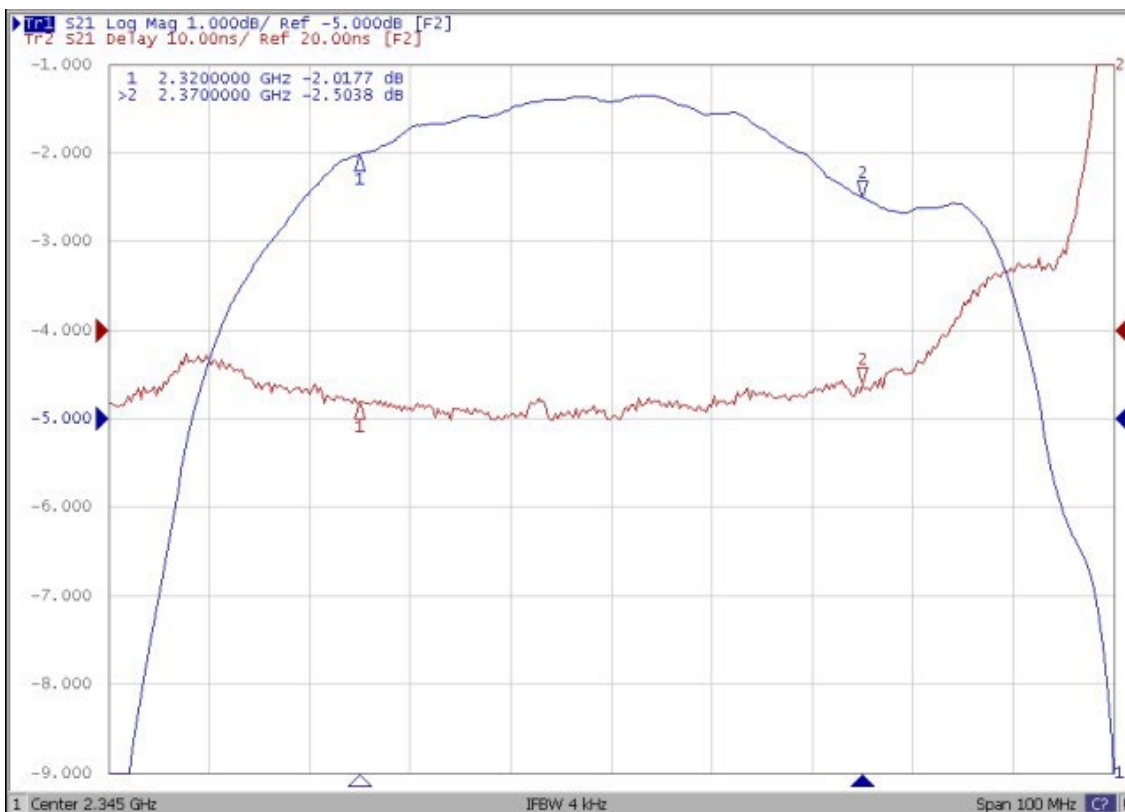
1. The design, manufacturing process, and specifications of this device are subject to change.
2. US or International patents may apply.
3. RoHS compliant from the first date of manufacture.

Frequency Characteristics :(1)

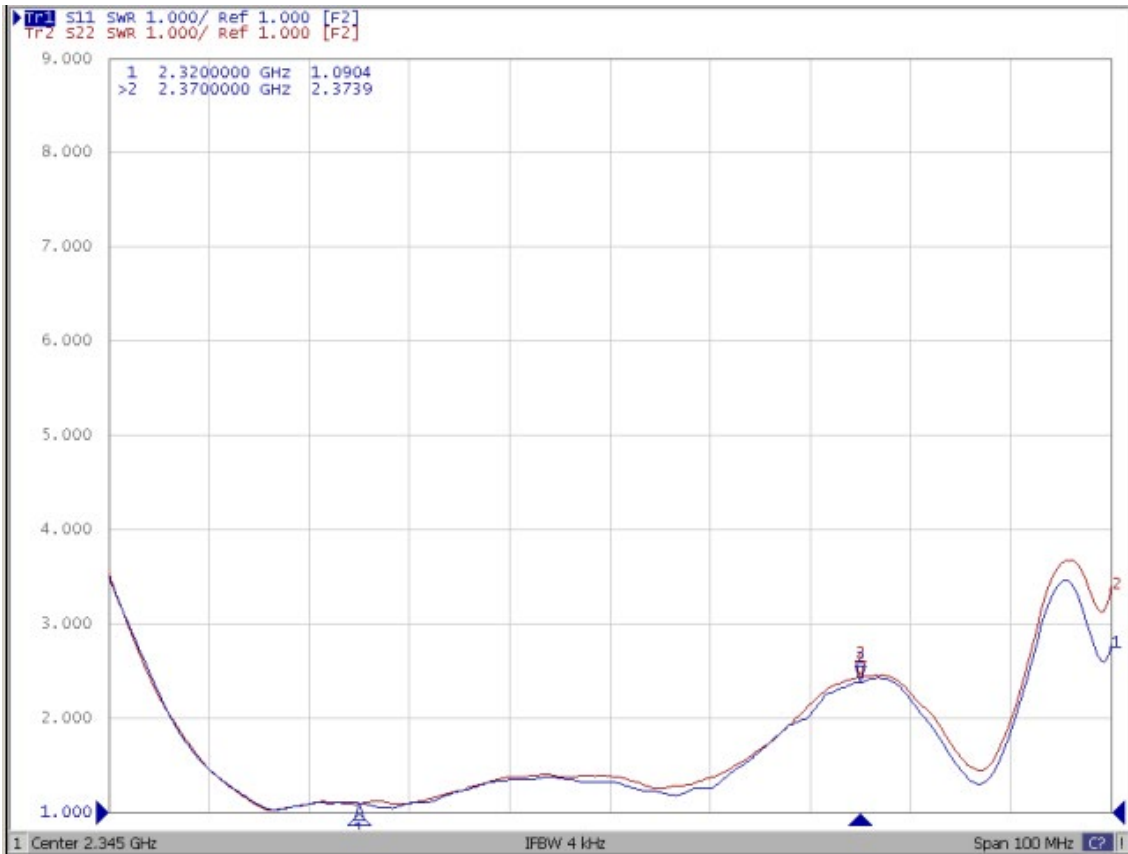
S21 Response: (span 500MHz)



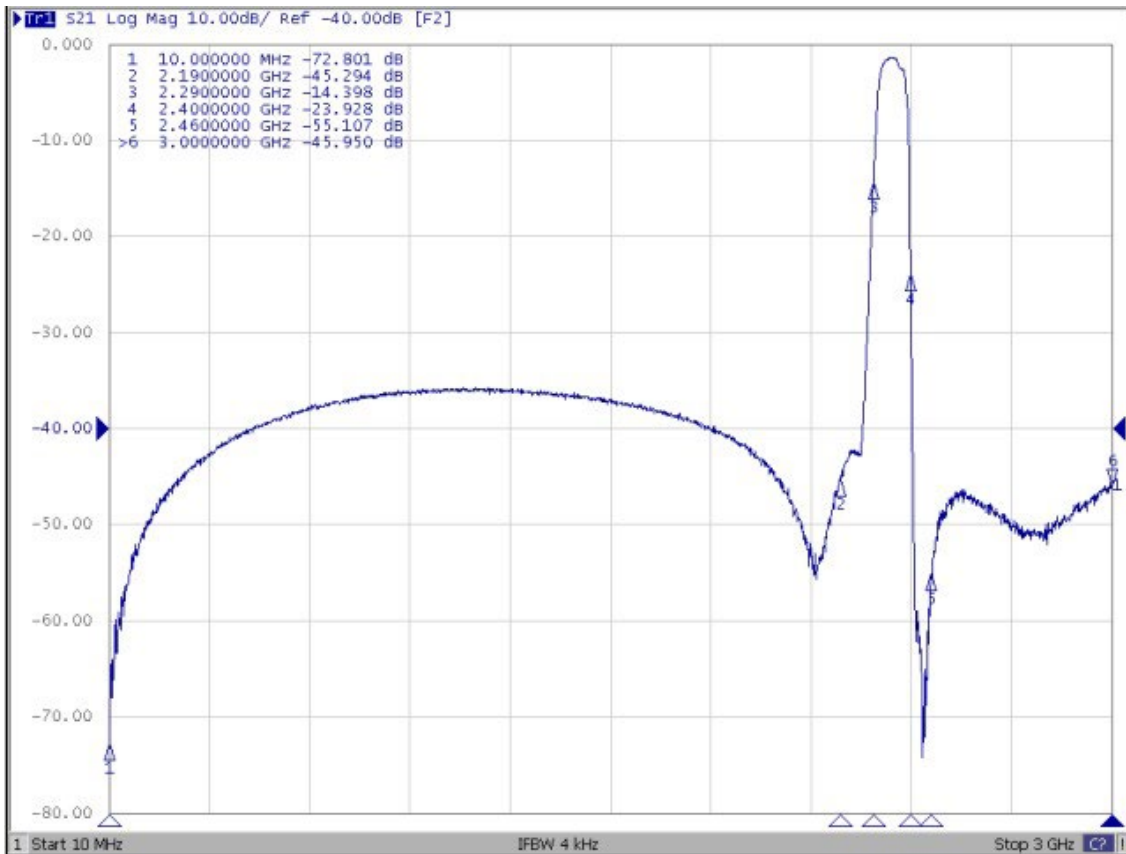
(2) Pass band Response:(span 100MHz)



(3) S11 & S22 VSWR Response:(span 100MHz)

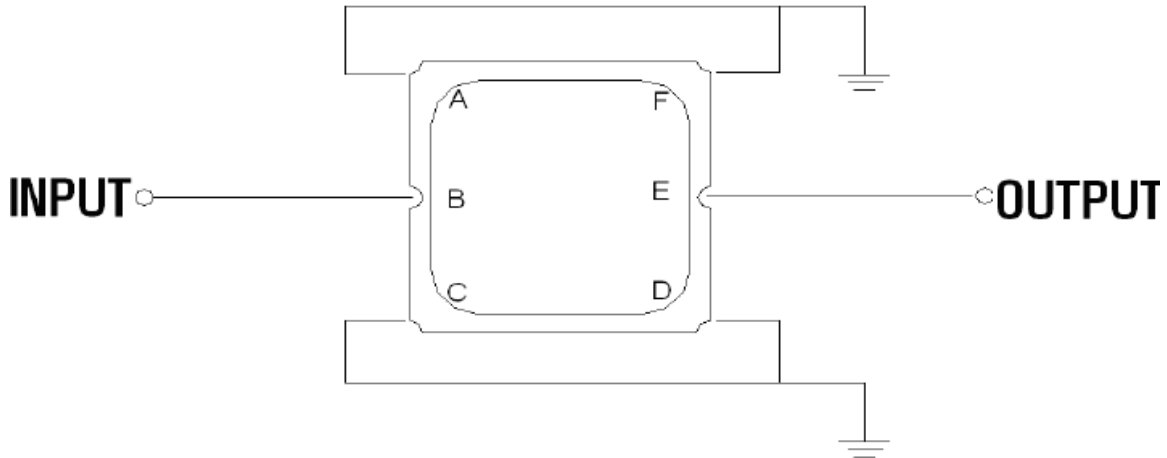


(4) wide band Response: (span 3.0GHz)

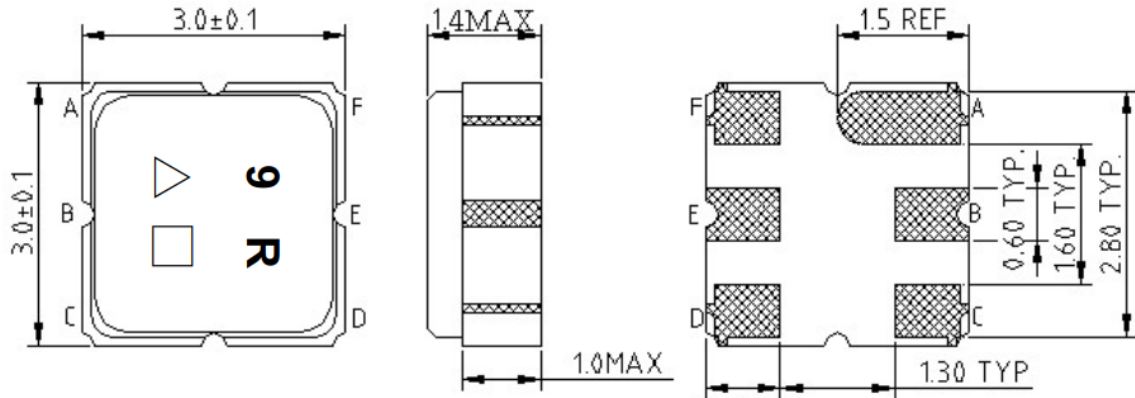


MEASUREMENT CIRCUIT:

TESTING ENVIRONMENT



OUTLINE DRAWING:



#B: Input
 #E: Output
 #A,C,D,F: Ground
 Unit: mm



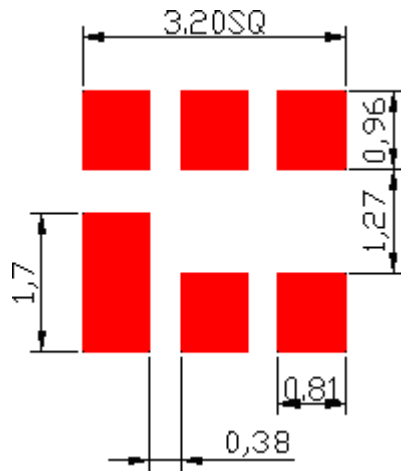
△: Year code (ex 2014→4)

□: Date code

Date Code Table:

WK01	WK02	WK03	WK04	WK05	WK06	WK07	WK08	WK09	WK10	WK11	WK12	WK13
A	B	C	D	E	F	G	H	I	J	K	L	M
WK14	WK15	WK16	WK17	WK18	WK19	WK20	WK21	WK22	WK23	WK24	WK25	WK26
N	O	P	Q	R	S	T	U	V	W	X	Y	Z
WK27	WK28	WK29	WK30	WK31	WK32	WK33	WK34	WK35	WK36	WK37	WK38	WK39
a	b	c	d	e	f	g	h	i	j	k	l	m
WK40	WK41	WK42	WK43	WK44	WK45	WK46	WK47	WK48	WK49	WK50	WK51	WK52
n	o	p	q	r	s	t	u	v	w	x	y	z

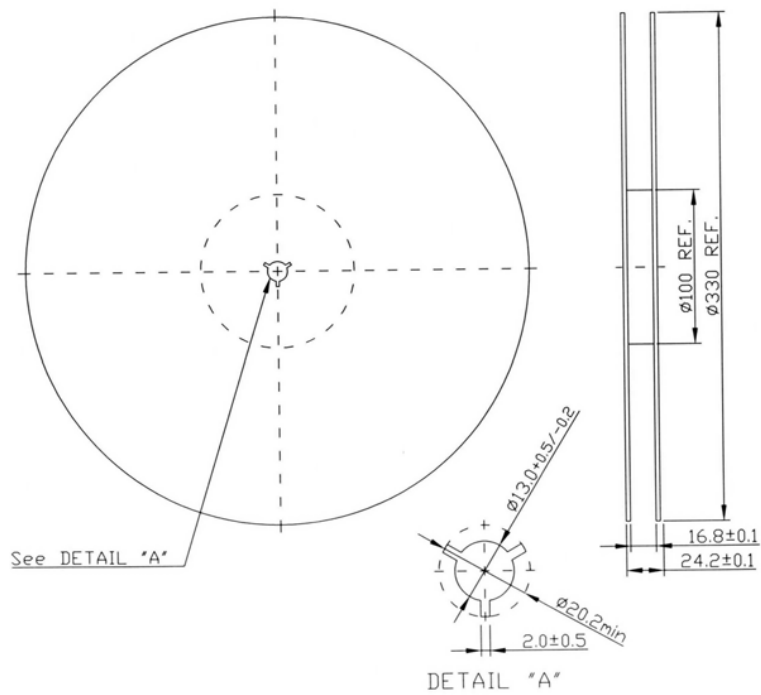
PCB FOOTPRINT:



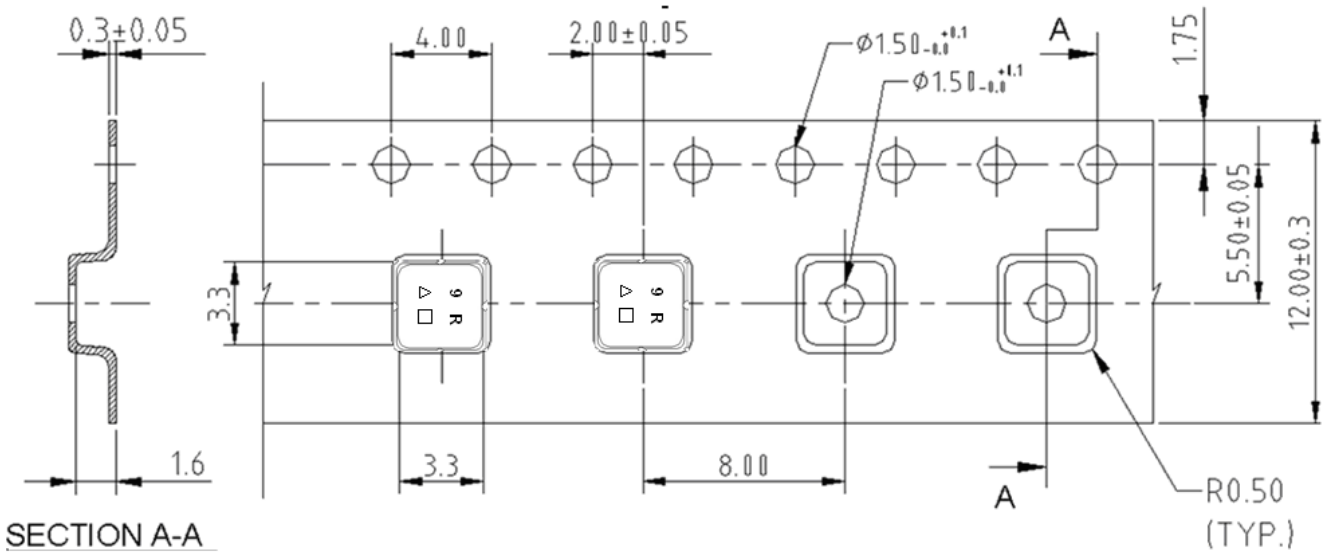
PACKING:

1. REEL DIMENSION

Reel Count:
7" = 500
13" = 3000



2. TAPE DIMENSION



RECOMMEND REFLOW PROFILE

1. Preheating shall be fixed at 150~180°C for 60~90 seconds.
2. Ascending time to preheating temperature 150°C shall be 30 seconds min.
3. Heating shall be fixed at 220°C for 50~80 seconds and at 260°C +0/-5°C peak (10 seconds).
4. Time: 5 times maximum.

