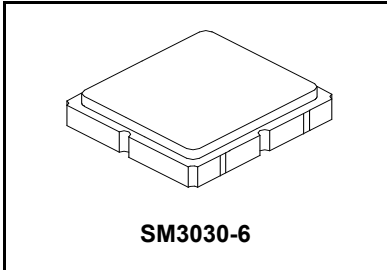


SF2701E

**999 MHz
SAW Filter**



MAXIMUM RATING:

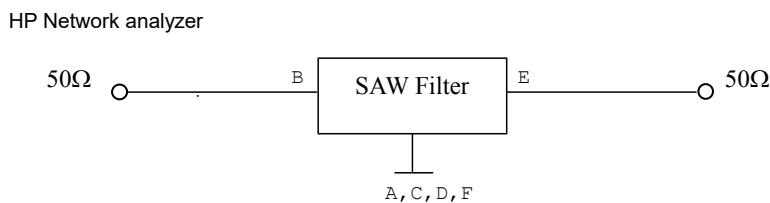
- Input Power Level: 10 dB_m
- DC voltage: 3 V
- Operating Temperature: -40°C to +85°C
- Storage Temperature: -40°C to +85°C
- Moisture Sensitivity Level: 1

ELECTRICAL CHARACTERISTICS:

Characteristics				Specification			Note
				Min.	Typ.	Max.	
Center frequency	F _c	MHz	-	999	-	-	
Insertion loss	979~1019 MHz	I.L.	dB	-	3.1	4.8	-
Ripple	979~1019 MHz		dB	-	1.4	3.1	-
Attenuation: (Reference level from 0 dB)							
	10 ~ 840 MHz		dB	40	64	-	-
	840 ~ 932 MHz		dB	39	54	-	-
	932 ~ 945 MHz		dB	30	54	-	-
	1055 ~ 1070MHz		dB	21	40	-	-
	1070 ~ 1100 MHz		dB	28	41	-	-
	1100 ~ 1158 MHz		dB	39	55	-	-
	1158 ~ 2000 MHz		dB	30	52	-	-
Source Impedance		Z _s	Ω	-	50	-	1
Load Impedance		Z _L	Ω	-	50	-	1

Note1. No matching network required for operation at 50 Ω

MEASUREMENT CIRCUIT:

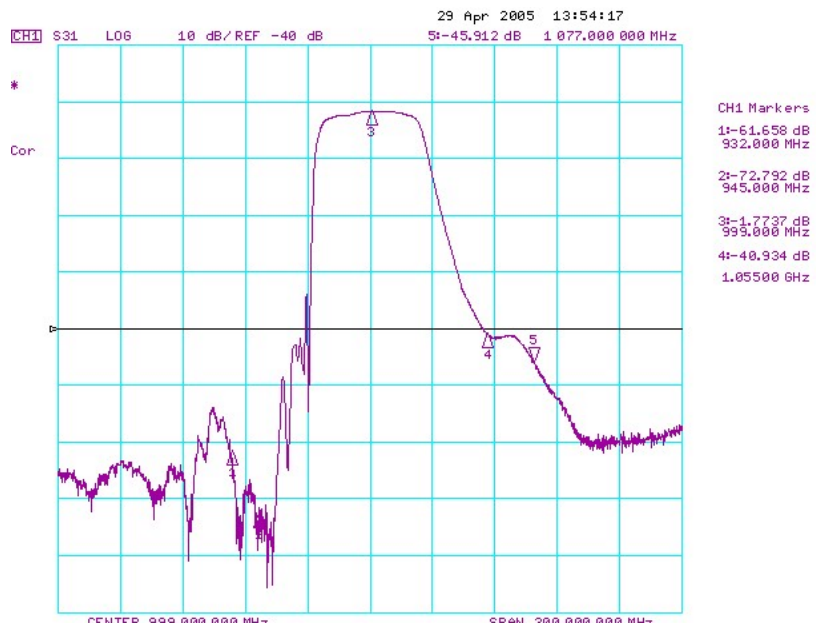


 **CAUTION: Electrostatic Sensitive Device. Observe precautions for handling.**

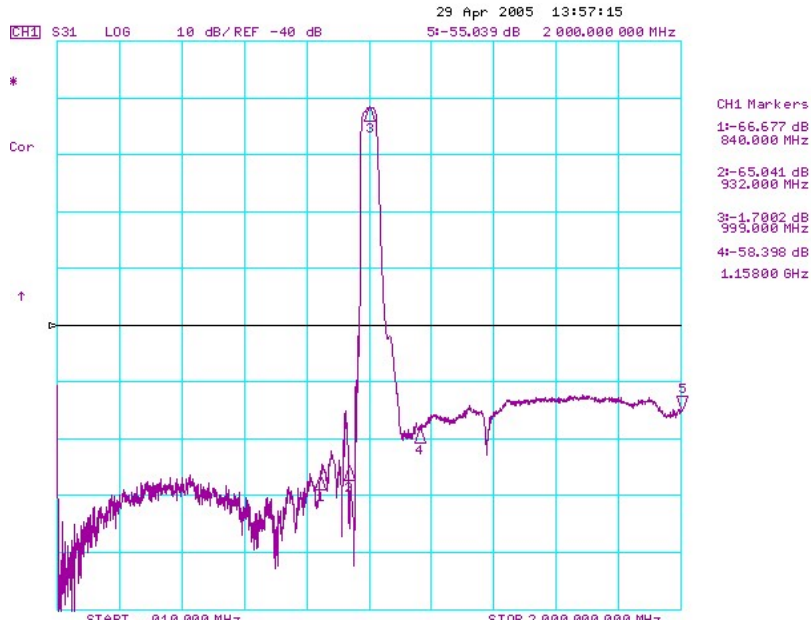
NOTES:

1. The design, manufacturing process, and specifications of this device are subject to change.
2. US or International patents may apply.
3. RoHS compliant from the first date of manufacture.

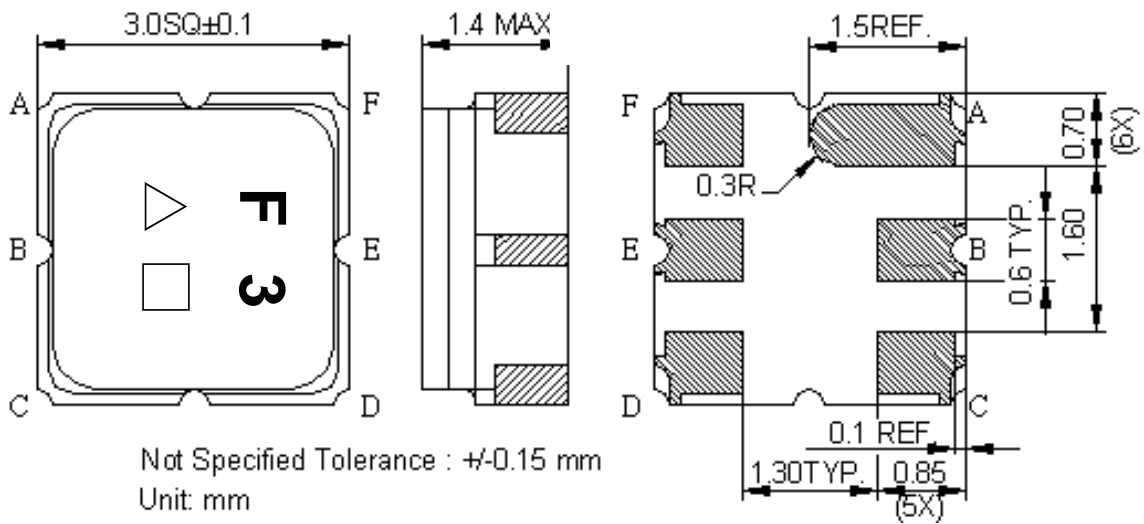
TRANSFER FUNCTION :



Wideband



OUTLINE DRAWING:



B: Input
 E: Output
 A,C,D,F: Ground
 Unit: mm

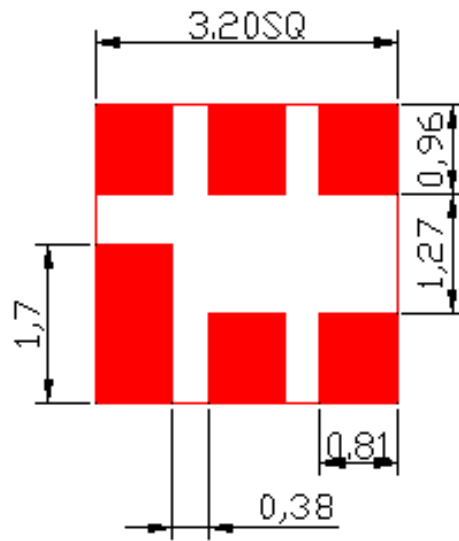
△ : year code(2020→0,..2025→5,...., 2029→9.)

□: Date Code. 01 for A, 02 for B ,,52 for z.

Date Code Table

WK01	WK02	WK03	WK04	WK05	WK06	WK07	WK08	WK09	WK10	WK11	WK12	WK13
A	B	C	D	E	F	G	H	I	J	K	L	M
WK14	WK15	WK16	WK17	WK18	WK19	WK20	WK21	WK22	WK23	WK24	WK25	WK26
N	O	P	Q	R	S	T	U	V	W	X	Y	Z
WK27	WK28	WK29	WK30	WK31	WK32	WK33	WK34	WK35	WK36	WK37	WK38	WK39
a	b	c	d	e	f	g	h	i	j	k	l	m
WK40	WK41	WK42	WK43	WK44	WK45	WK46	WK47	WK48	WK49	WK50	WK51	WK52
n	o	p	q	r	s	t	u	v	w	x	y	z

PCB FOOTPRINT:



PACKING:

1. REEL DIMENSION

Reel Count:
7" = 1000
13" = 3000

