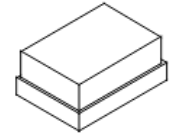


SF2708K

**2491.75 MHz
SAW Filter**



SM1411-5

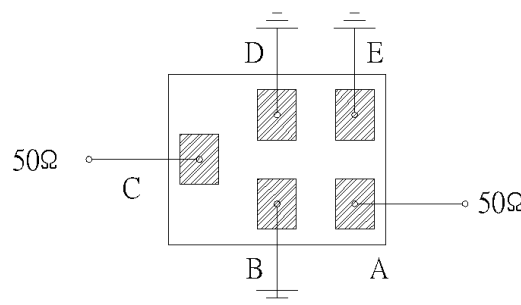
MAXIMUM RATING:

- Input Power Level: 7 dB_m
Input Power Level: 18 dB_m(out of band rejection)
- DC voltage: 3 V
- Operating Temperature: -30°C to +80°C
- Storage Temperature: -40°C to +85°C
- Moisture Sensitivity Level: Level 2a(**MSL 2a**)
- HBM level = 500V/MM level = 200V/CDM level = 1000V

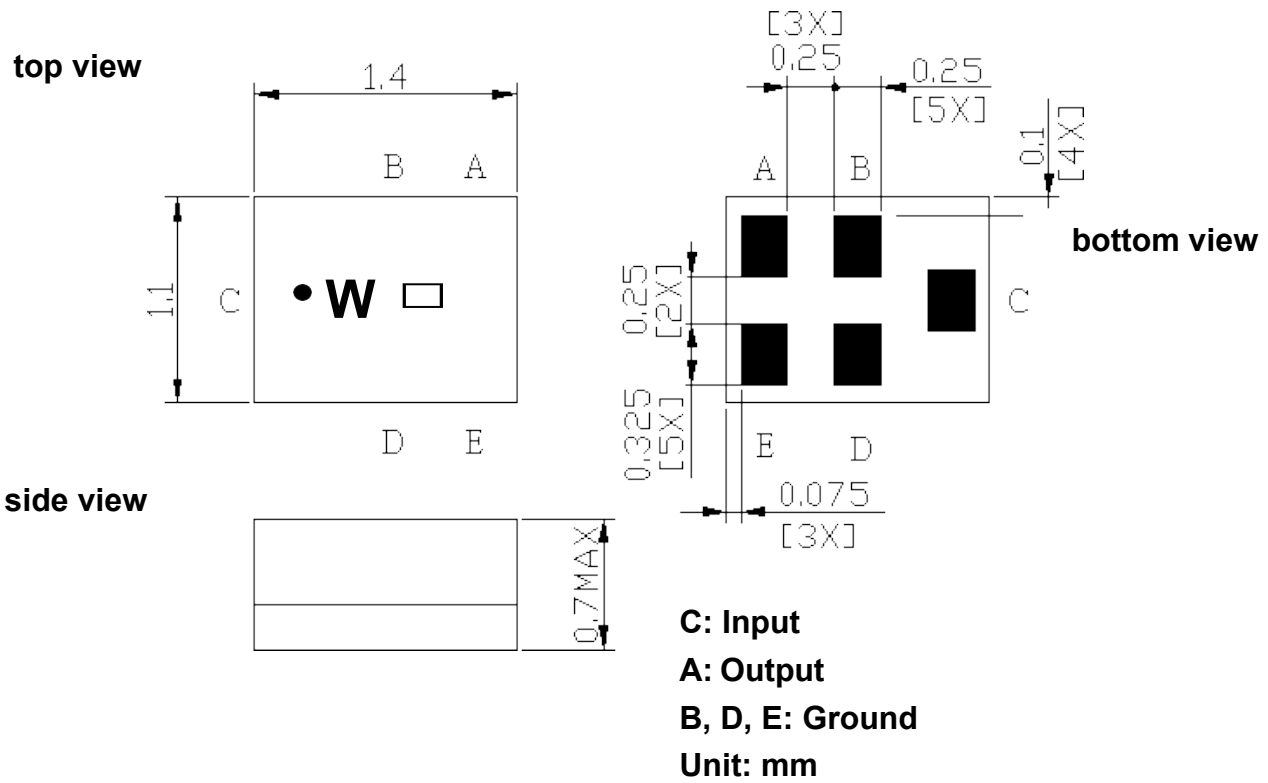
ELECTRICAL CHARACTERISTICS:

| Item | Unit | Min. | Typ. | Max. | |
|---|-----------|----------|------|---------|------|
| Center frequency | Fc | MHz | - | 2491.75 | - |
| Insertion Loss (2483.5~2500 MHz) | IL | dB | - | 3.1 | 4.25 |
| Amplitude Variation (2483.5~2500) (over any 1.23 MHz span) | | dB | - | 0.3 | 1.0 |
| Phase Linearity (2483.5~2500 MHz) (over any 1.23 MHz span) | | deg(rms) | - | 0.1 | 2.5 |
| Input/Output VSWR (2483.5~2500 MHz) | | - | - | 1.9 | - |
| Attenuation (Reference level from 0 dB) | | | | | |
| 1610 ~ 1626.5 MHz | | dB | 33 | 58 | - |
| 2033 ~ 2051 MHz | | dB | 28 | 68 | - |
| 2259 ~ 2275 MHz | | dB | 23 | 54 | - |
| 2400 ~ 2440 MHz | | dB | 13 | 42 | - |
| 2440 ~ 2450 MHz | | dB | 12 | 37 | - |
| 2570 ~ 2600 MHz | | dB | 15 | 62 | - |
| Temperature Coefficient of Frequency | | Ppm/°C | - | -36 | - |

MEASUREMENT CIRCUIT:



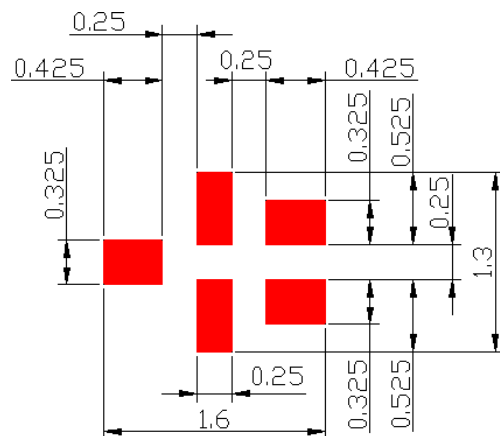
OUTLINE DRAWING:



□ : Year/Month Code (Follow the table)

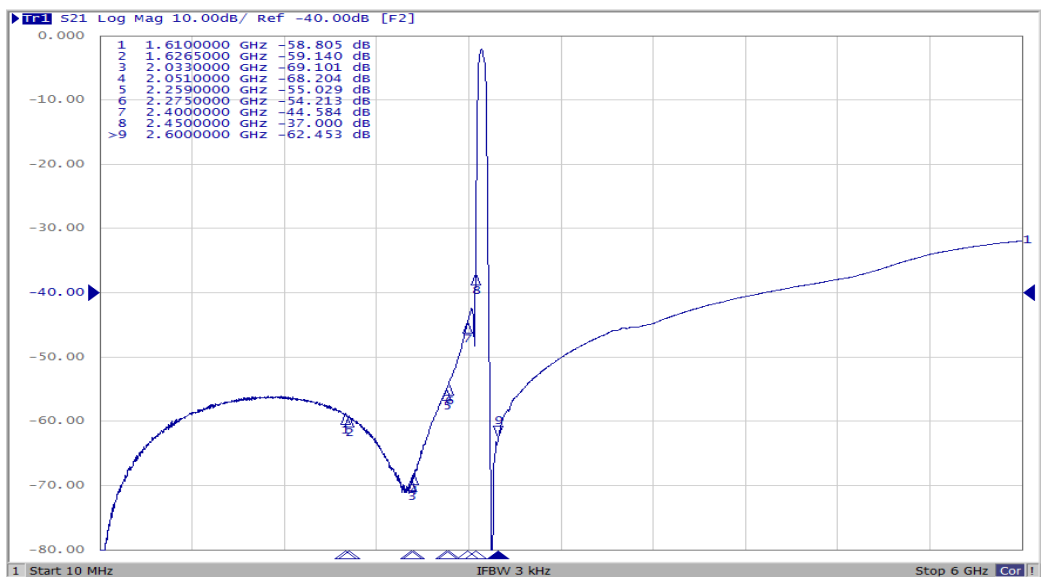
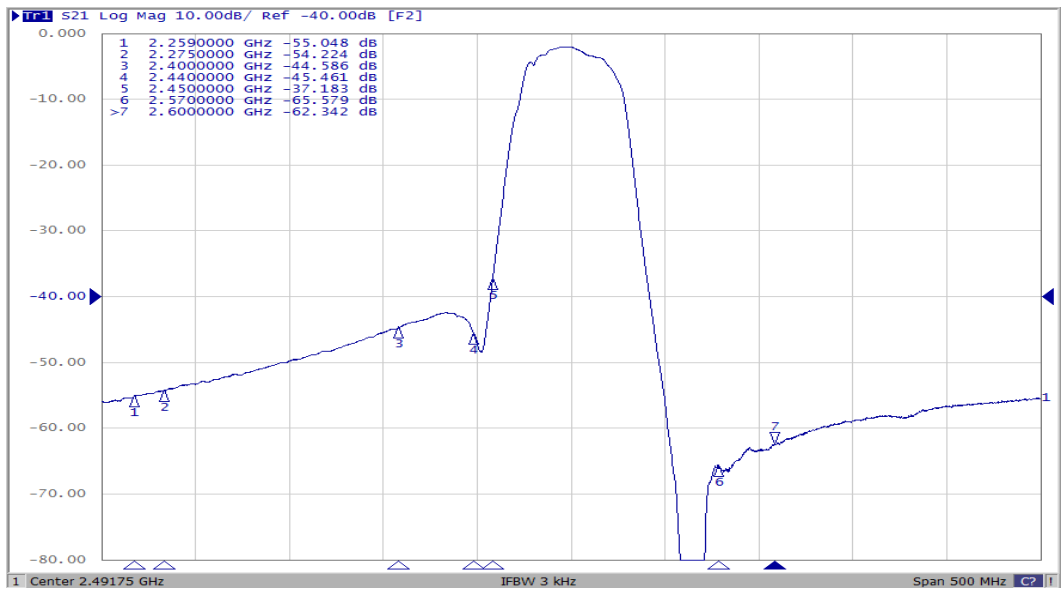
| YEAR/Month | 1 | 2 | 3 | 4 | 5 | 6 | 7 | 8 | 9 | 10 | 11 | 12 |
|------------|----------|----------|----------|----------|----------|----------|----------|----------|----------|----------|----------|----------|
| 2013 | A | B | C | D | E | F | G | H | J | K | L | M |
| 2014 | N | P | Q | R | S | T | U | V | W | X | Y | Z |
| 2015 | a | b | c | d | e | f | g | h | j | k | l | m |
| 2016 | n | p | q | r | s | t | u | v | w | x | y | z |
| 2017 | <u>A</u> | <u>B</u> | <u>C</u> | <u>D</u> | <u>E</u> | <u>F</u> | <u>G</u> | <u>H</u> | <u>J</u> | <u>K</u> | <u>L</u> | <u>M</u> |
| 2018 | <u>N</u> | <u>P</u> | <u>Q</u> | <u>R</u> | <u>S</u> | <u>T</u> | <u>U</u> | <u>V</u> | <u>W</u> | <u>X</u> | <u>Y</u> | <u>Z</u> |
| 2019 | a | b | c | d | e | f | g | h | j | k | l | m |
| 2020 | <u>n</u> | <u>p</u> | <u>q</u> | <u>r</u> | <u>s</u> | <u>t</u> | <u>u</u> | <u>v</u> | <u>w</u> | <u>x</u> | <u>y</u> | <u>z</u> |

PCB Footprint:



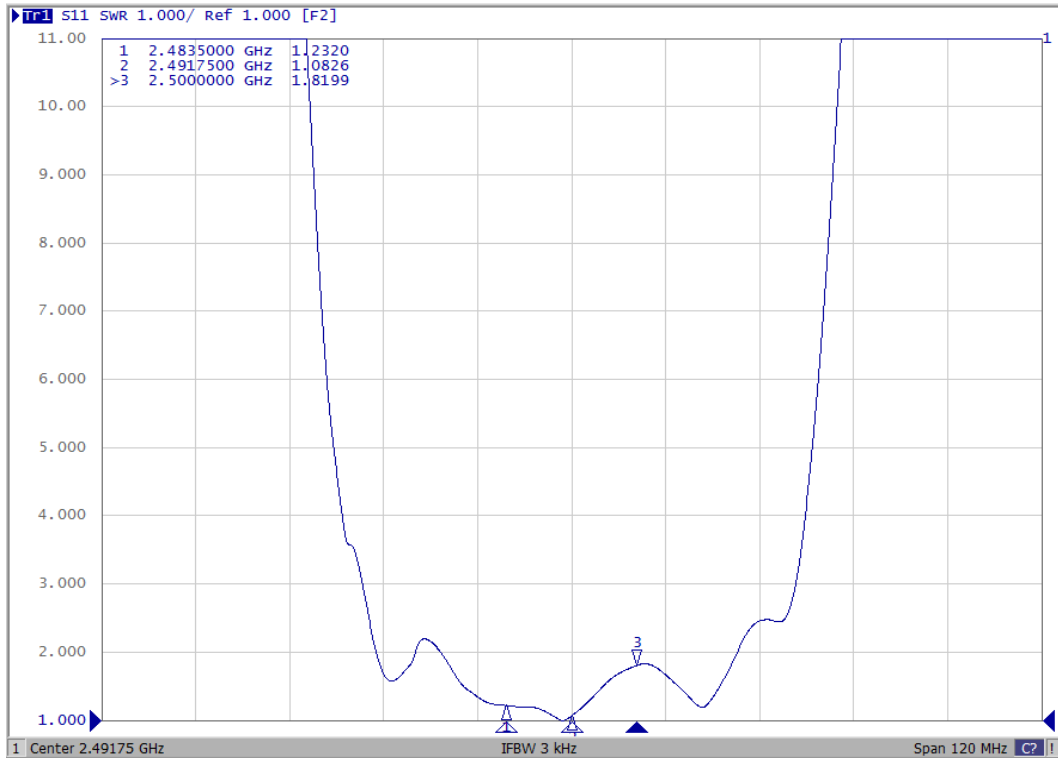
■ : Land Pattern
 Unit : mm

Frequency Characteristics:

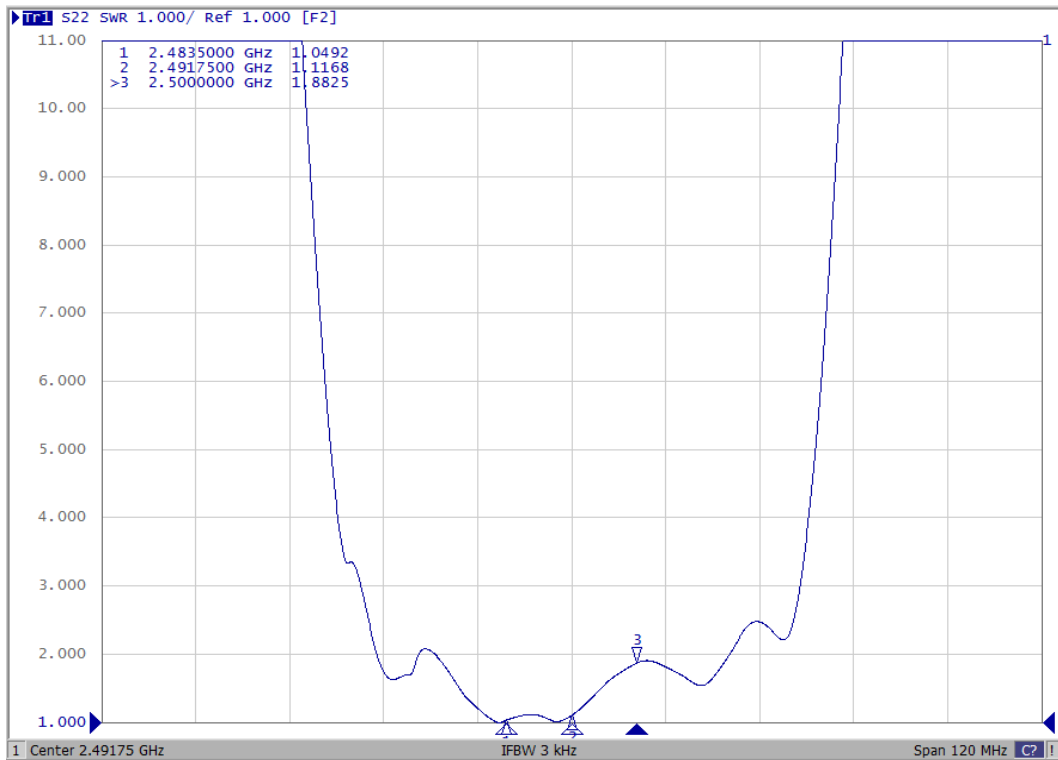


Reflection Functions:

S11



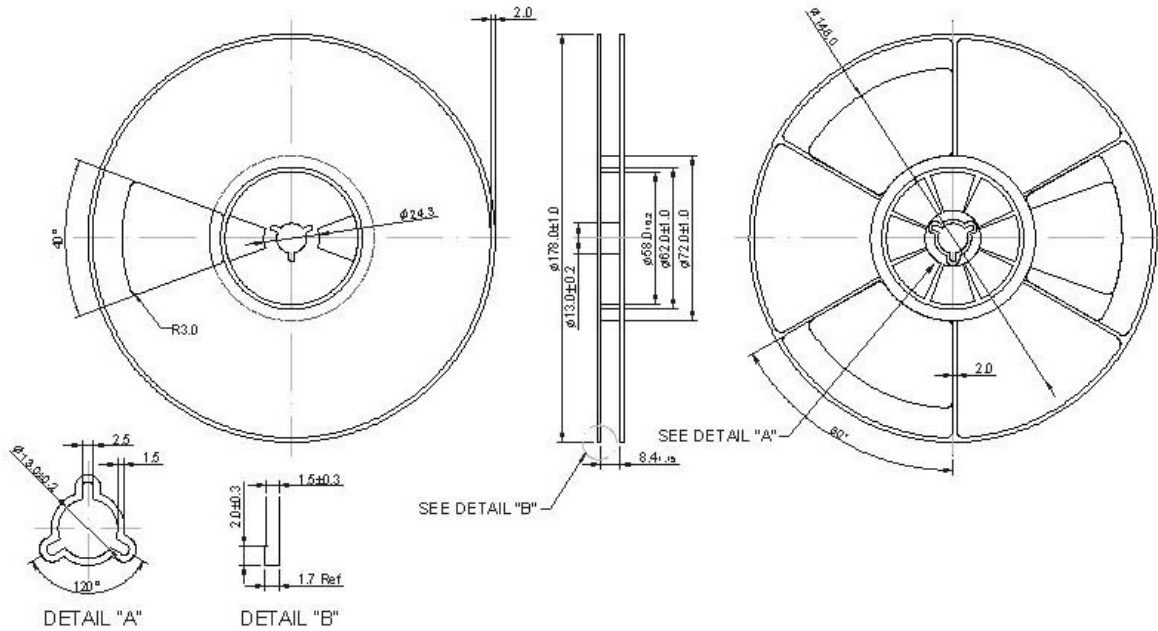
S22



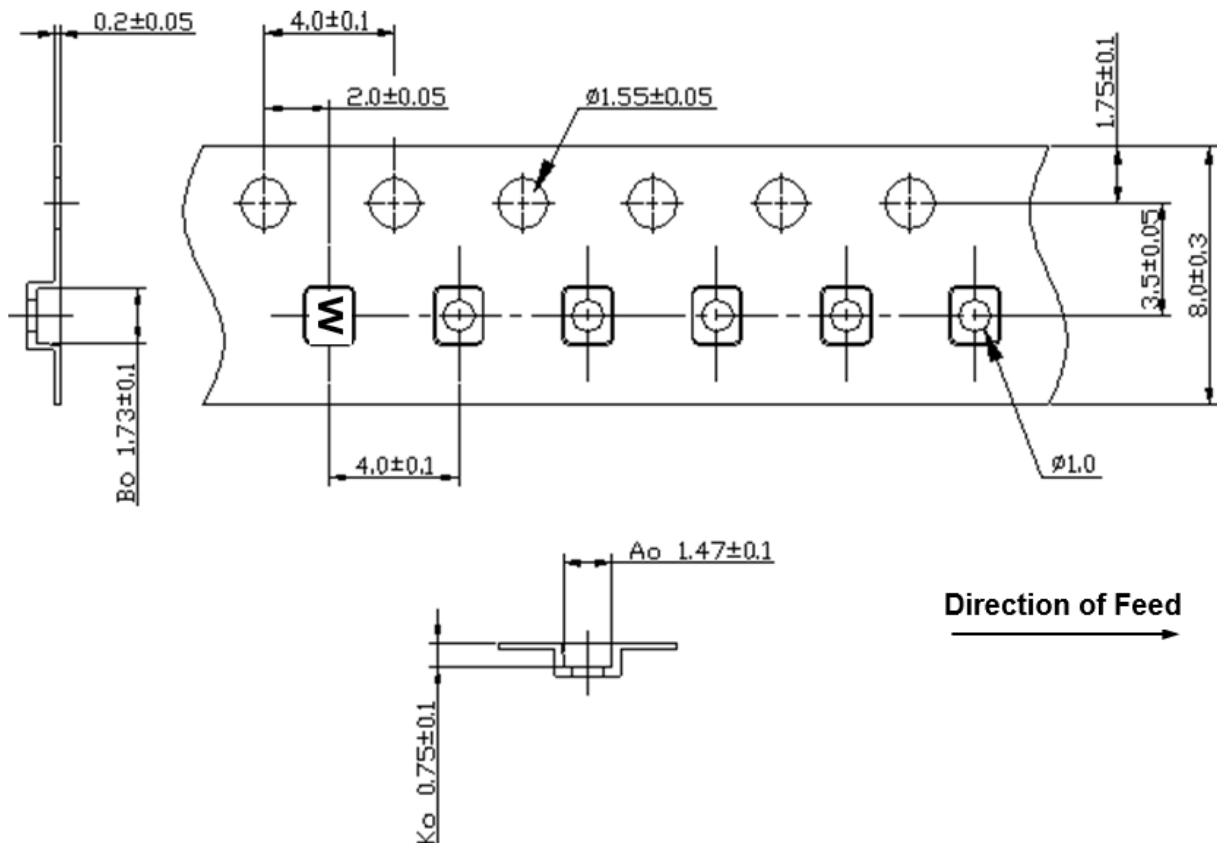
PACKING: (Ref. WI-75M03)

1. REEL DIMENSION

7" Reel = 3000

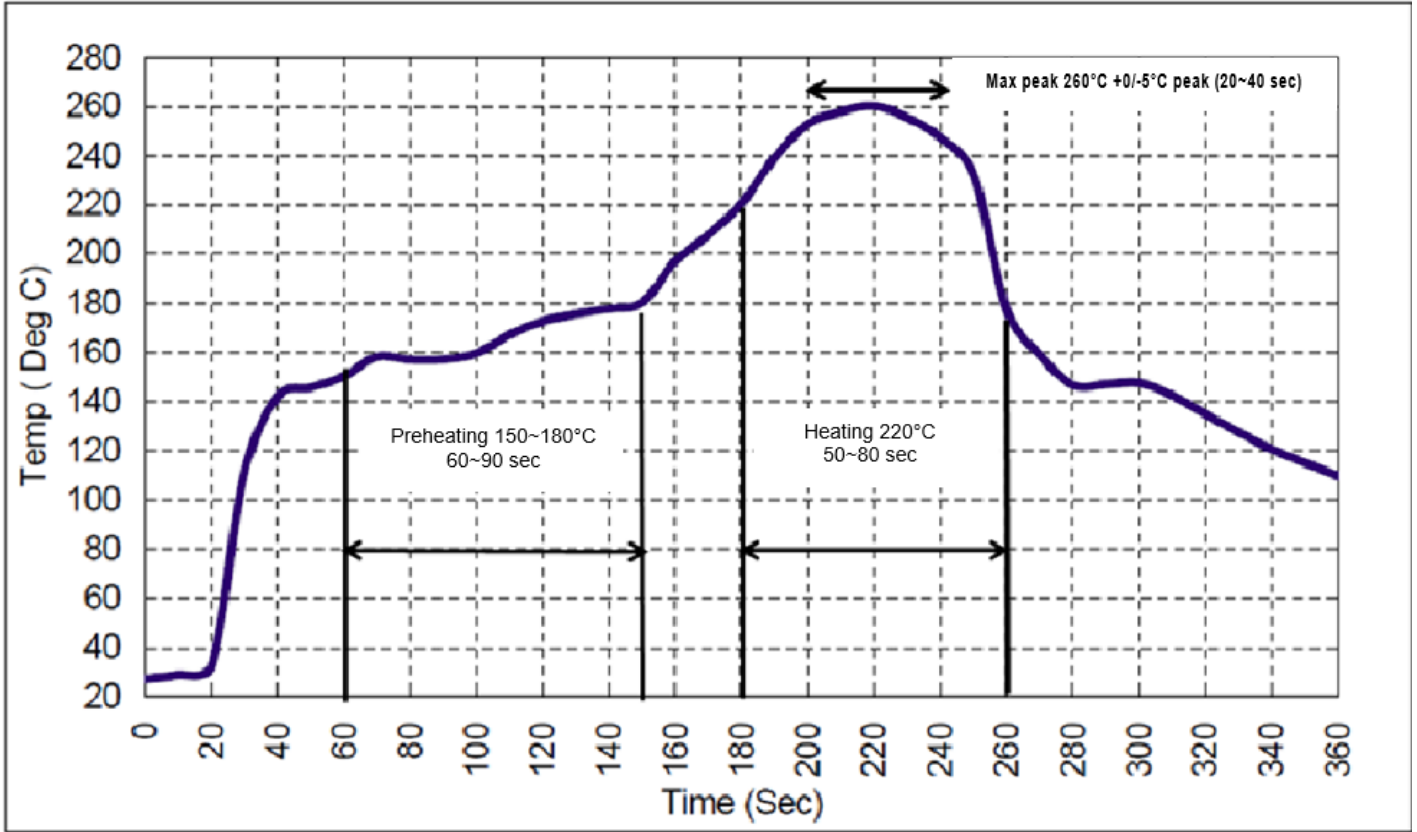


2. TAPE DIMENSION



Recommended Reflow Profile:

1. Preheating shall be fixed at 150~180°C for 60~90 seconds.
2. Ascending time to preheating temperature 150°C shall be 30 seconds min.
3. Heating shall be fixed at 220°C for 50~80 seconds and at 260°C+0/-5°C peak (20~40sec).
4. Time: 2 times.



CAUTION: Electrostatic Sensitive Device. Observe precautions for handling.

1. The design, manufacturing process, and specifications of this device are subject to change.
2. US or International patents may apply.
3. RoHS compliant from the first date of manufacture.