



RFM Integrated Device, Inc.

PRODUCT SPECIFICATION

Part Number: SF2715A

Description:
FILTER, SAW, 70 MHz, BW
0.5 MHz, IL 8.2 dB

Preliminary

A. MAXIMUM RATING:

- 1. Operating Temperature: -40 °C ~ 80 °C
- 2. Storage Temperature: -40 °C ~ 80 °C
- 3. Input Power Level: 10dBm
- 4. Moisture Sensitivity Level: Level 1(MSL1)

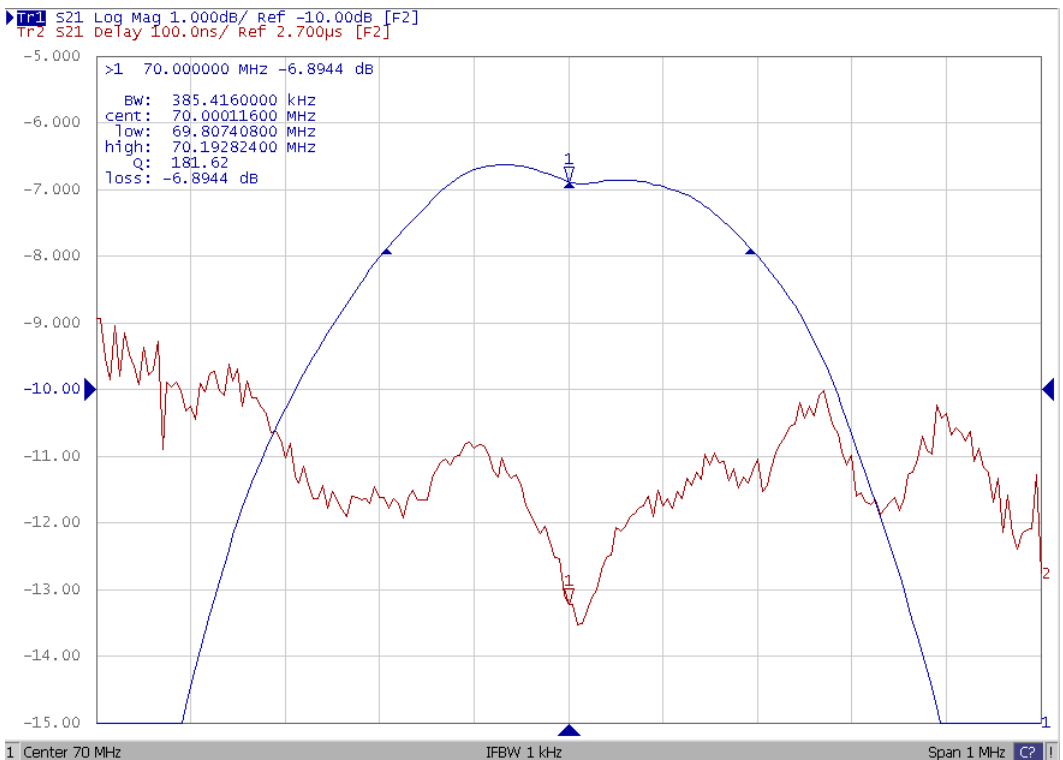
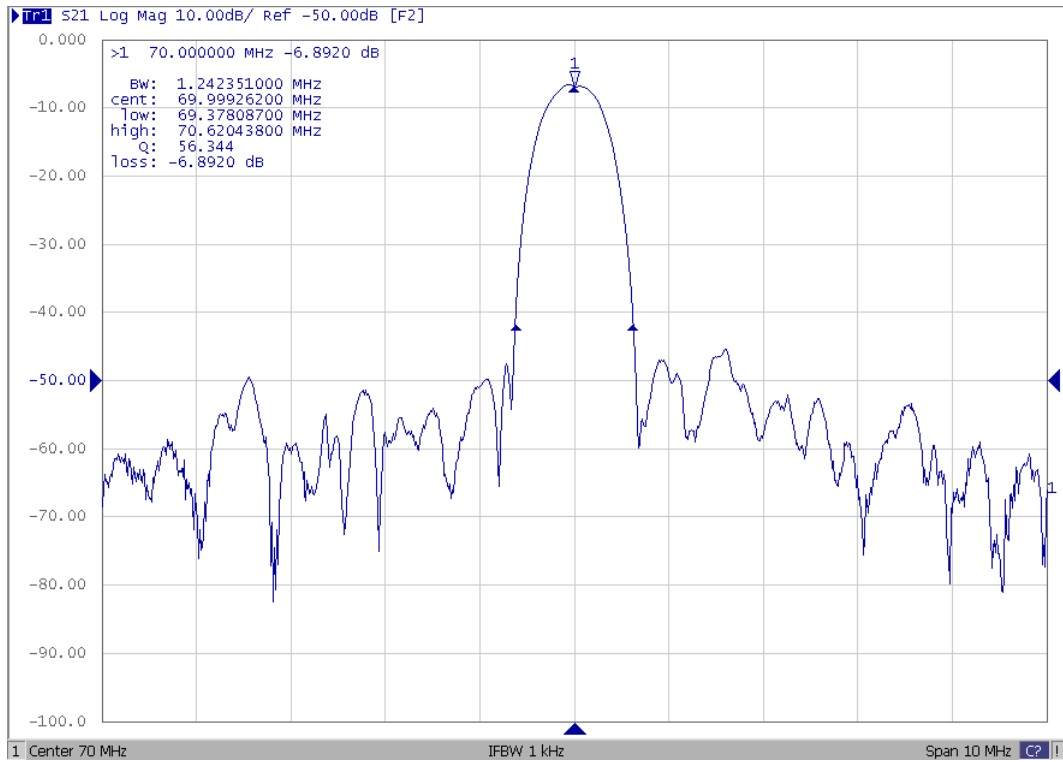


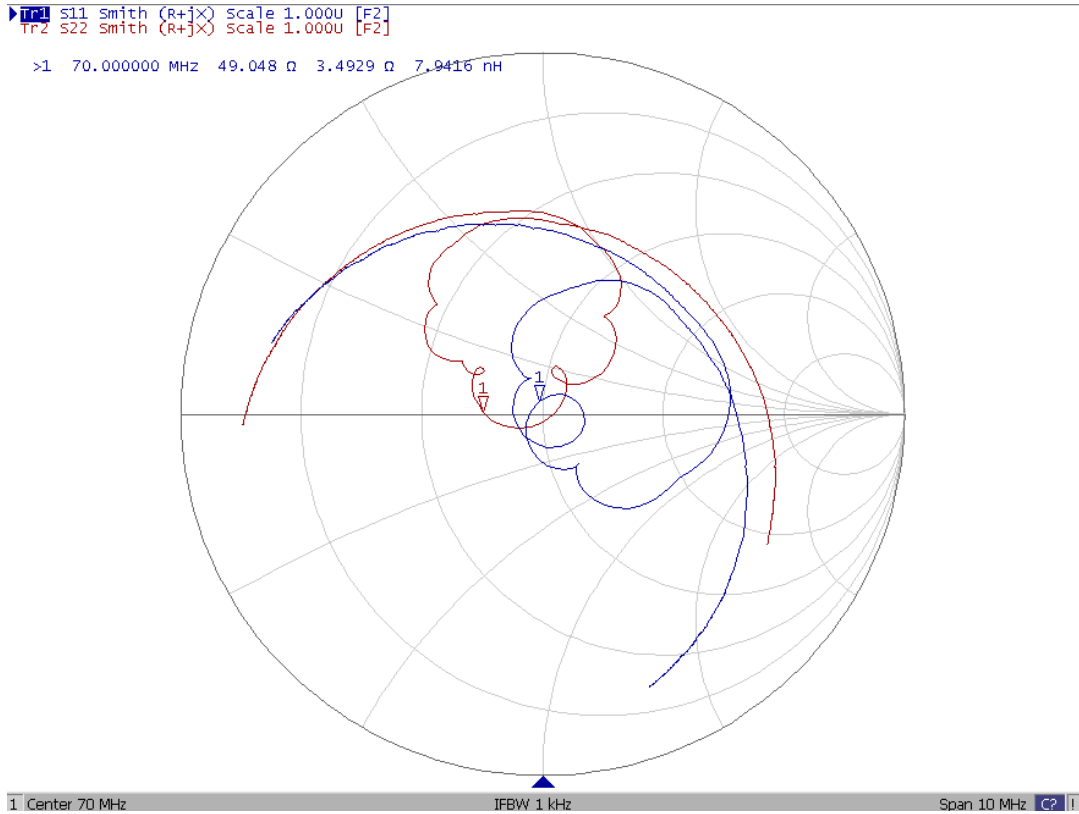
B. CHARACTERISTICS:

- 1. Ambient Temperature: 25 °C

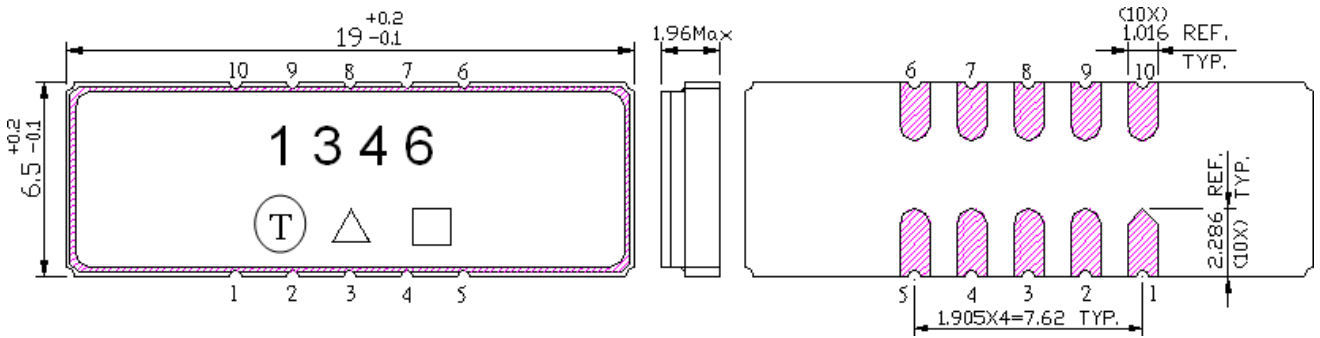
Item	Unit	Min.	Type.	Max.
Center frequency, Fc	MHz	-	70	-
Insertion Loss, IL	dB	-	7.0	8.2
1dB Bandwidth	MHz	0.30	0.38	-
3dB Bandwidth	MHz	0.50	0.55	-
35dB Bandwidth	MHz	-	1.24	1.50
Passband Ripple Fc+/- 0.14MHz	dB	-	0.7	1.0
Absolute group Delay	us	-	2.37	-
Group Delay variation Fc+/- 0.14MHz	ns	-	270	500
Phase Linearity Fc+/- 0.14MHz	deg	-	3.5	6.75
Temperature Coefficient	ppm/°C ²	-	-0.036	-
Source Impedance	Ohm	-	50	-
Load Impedance	Ohm	-	50	-

C. FREQUENCY CHARACTERISTICS:





D. OUTLINE DRAWING:



- Pin 10 –RF Input
- Pin 5 –RF Output
- Others - Ground
- : Week Code
- △: Product / Year Code
- Unit: mm

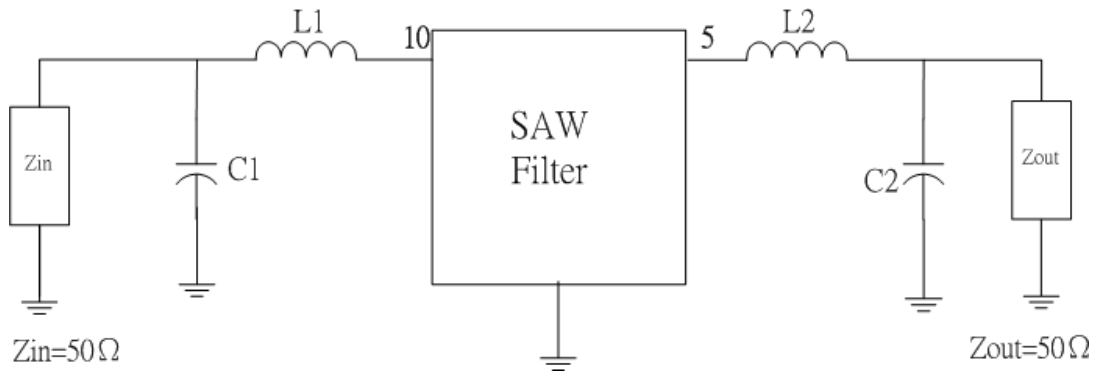
Product / Year Code - 4year cycle

Year	2017 2021	2018 2022	2019 2023	2020 2024
Product Code	B	b	<u>B</u>	<u>b</u>

Week Code Table

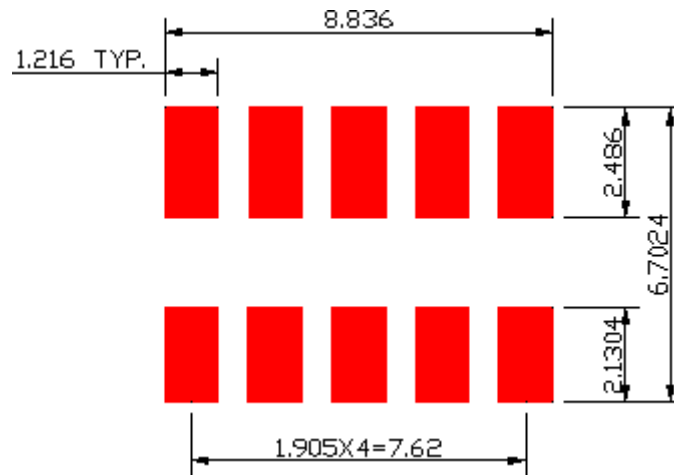
WK01	WK02	WK03	WK04	WK05	WK06	WK07	WK08	WK09	WK10	WK11	WK12	WK13
A	B	C	D	E	F	G	H	I	J	K	L	M
WK14	WK15	WK16	WK17	WK18	WK19	WK20	WK21	WK22	WK23	WK24	WK25	WK26
N	O	P	Q	R	S	T	U	V	W	X	Y	Z
WK27	WK28	WK29	WK30	WK31	WK32	WK33	WK34	WK35	WK36	WK37	WK38	WK39
a	b	c	d	e	f	g	h	i	j	k	l	m
WK40	WK41	WK42	WK43	WK44	WK45	WK46	WK47	WK48	WK49	WK50	WK51	WK52
n	o	p	q	r	s	t	u	v	w	x	y	z

E. MATCHING CIRCUIT:



L1=330nH+36nH L2=390nH C1=56pF C2=56pF

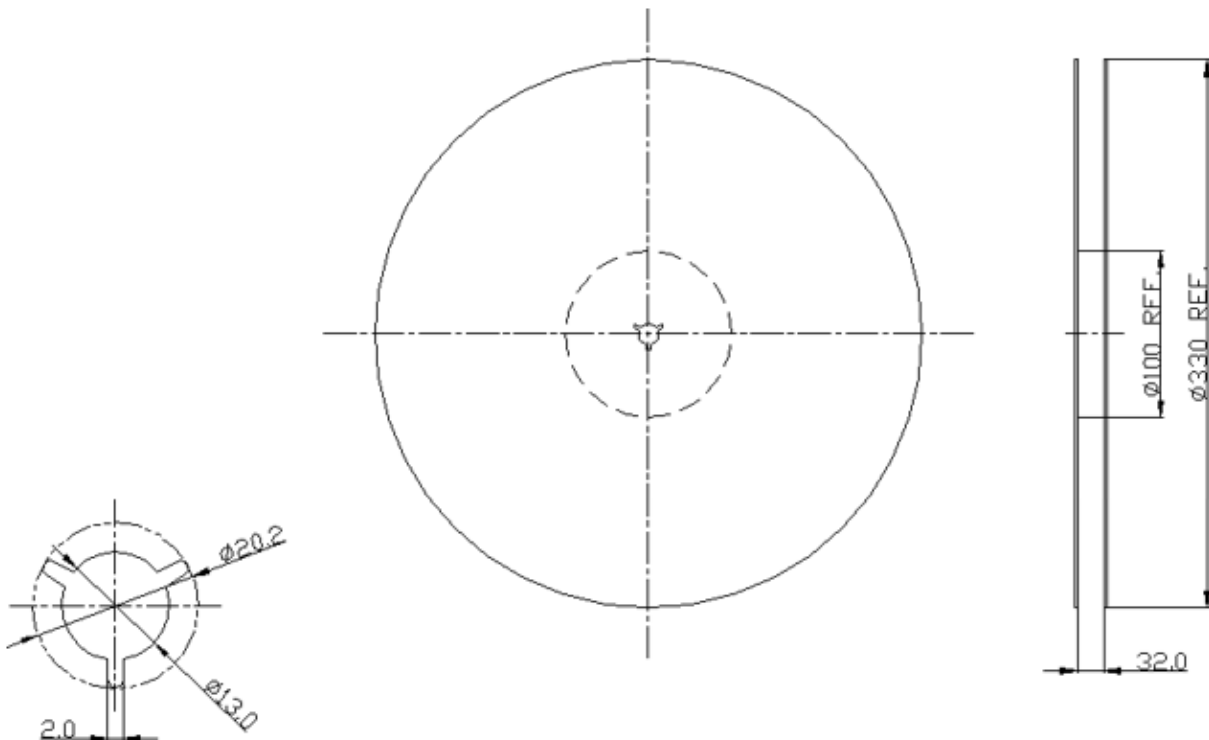
F. PCB FOOTPRINT



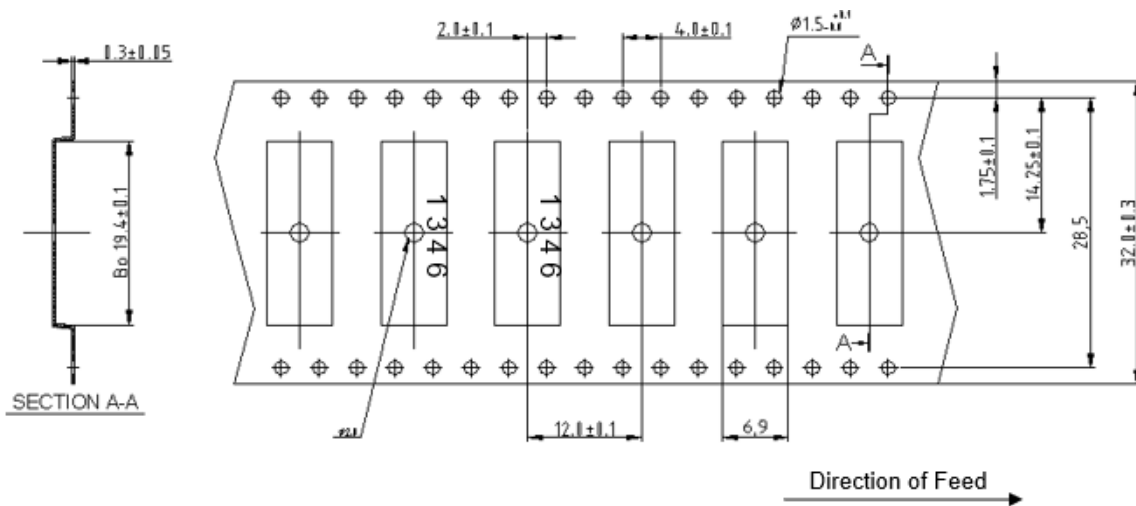
G. PACKING:

1. REEL DIMENSION

Reel Count:
7" = 500
13" = 3000



2. TAPE DIMENSION



H. RECOMMENDED REFLOW PROFILE:

1. Preheating shall be fixed at 150~180°C for 60~90 seconds.
2. Ascending time to preheating temperature 150°C shall be 30 seconds min.
3. Heating shall be fixed at 220°C for 50~80 seconds and at 260°C+0/-5°C peak (20~40sec).
4. Time: 2 times.

