

SM1411-5

A. MAXIMUM RATING:

1. Input Power Level: 18 dBm
2. DC Voltage : 6V
3. Operating Temperature: -40°C to +85°C
4. Storage Temperature: -40°C to +85°C
5. Moisture Sensitivity Level: Level 3(MSL3)
6. ESD 100V(MM) 200V(HBM)

ELECTRICAL CHARACTERISTICS:

Terminating source impedance (single) : $Z_s = 50 \Omega$
 Terminating load impedance(single) : $Z_L = 50 \Omega$

Item	Unit	Min	Type.	Max	Note
Center Frequency Fc	MHz	-	869	-	
Insertion Loss (868~870 MHz) IL	dB		1.9	2.5	
Amplitude ripple(868~870 MHz)	dB		0.5	1.2	
VSWR					
Input (868~870 MHz)			1.4	2.0	
Output (868~870 MHz)			1.4	2.0	
Attenuation					
10 ~ 845 MHz	dB	30	35		
845 ~ 851 MHz	dB	33	38		
851 ~ 856 MHz	dB	20	25		
883 ~ 892 MHz	dB	30	35		
892 ~ 910 MHz	dB	35	40		
910 ~ 1000 MHz	dB	35	40		
1500 ~ 2100 MHz	dB	25	30		
2100 ~ 6000 MHz	dB	35	40		
Input power P_{IN}	dBm		13		cw signal
868 ~ 870 MHz	dBm		18		Duty cycle 1 : 10
Package size	mm	SMD 1411			

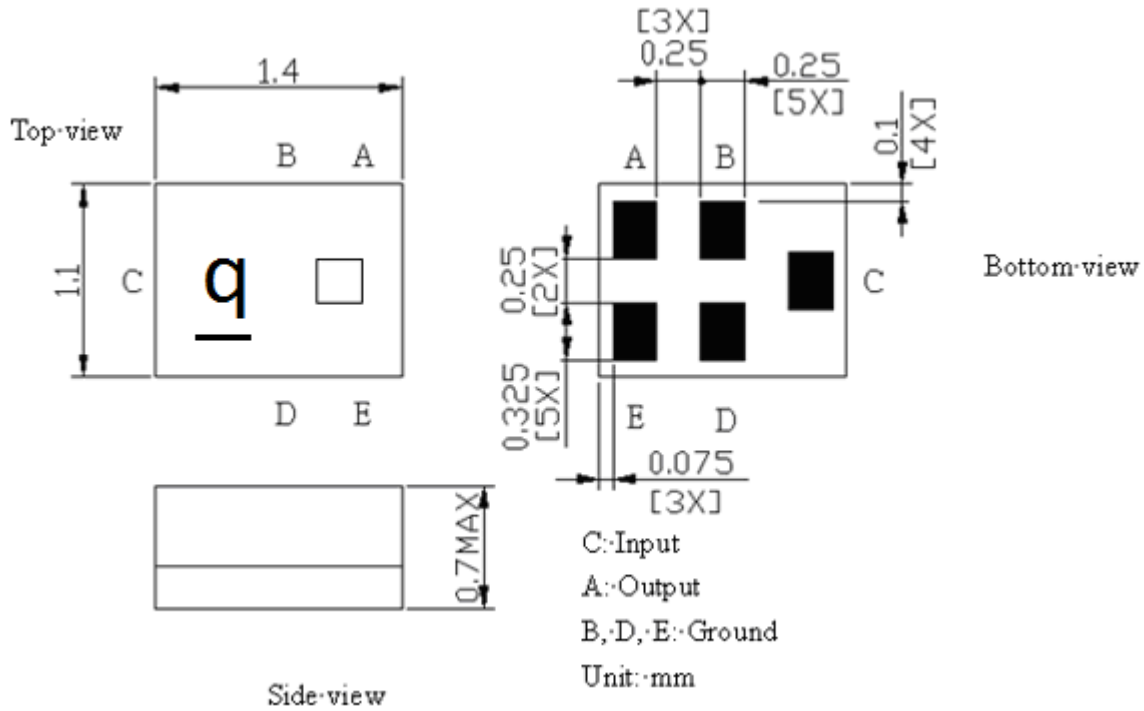


CAUTION: Electrostatic Sensitive Device. Observe precautions for handling.

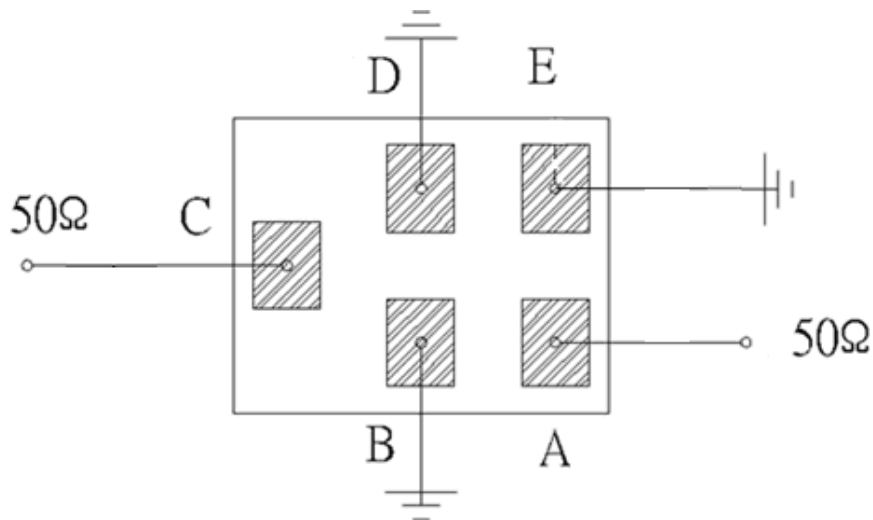
NOTES:

1. The design, manufacturing process, and specifications of this device are subject to change.
2. US or International patents may apply.
3. RoHS compliant from the first date of manufacture.

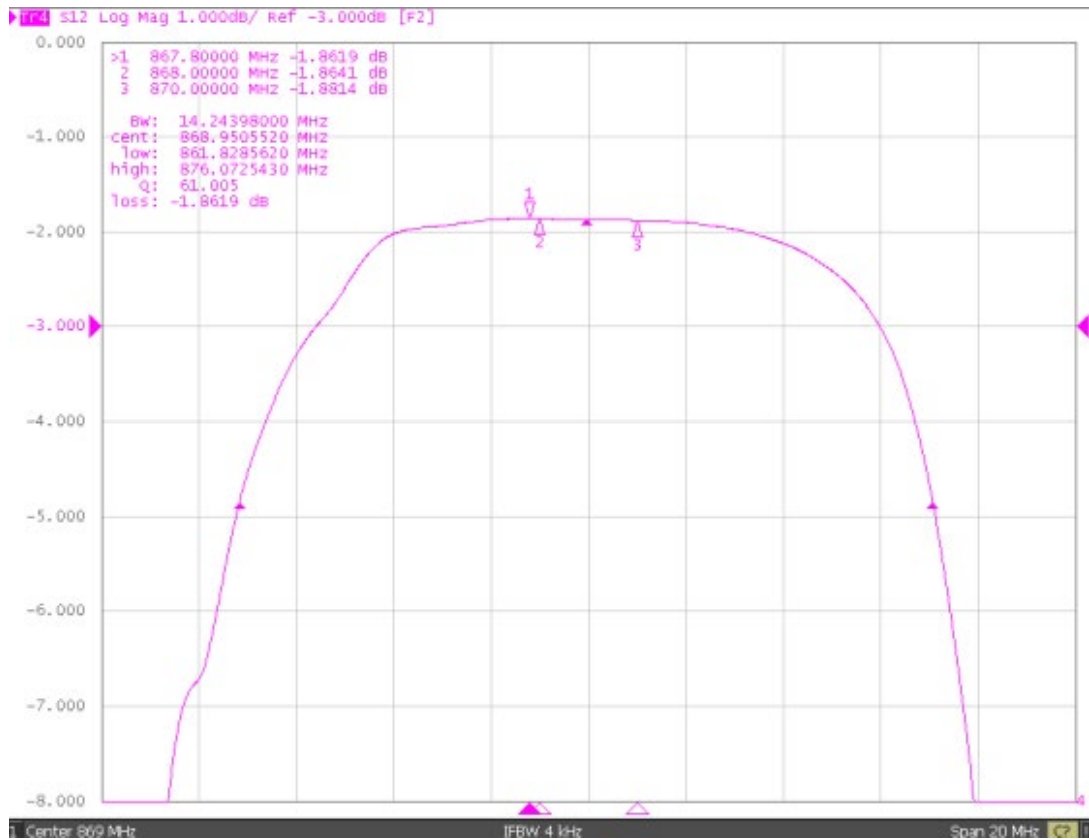
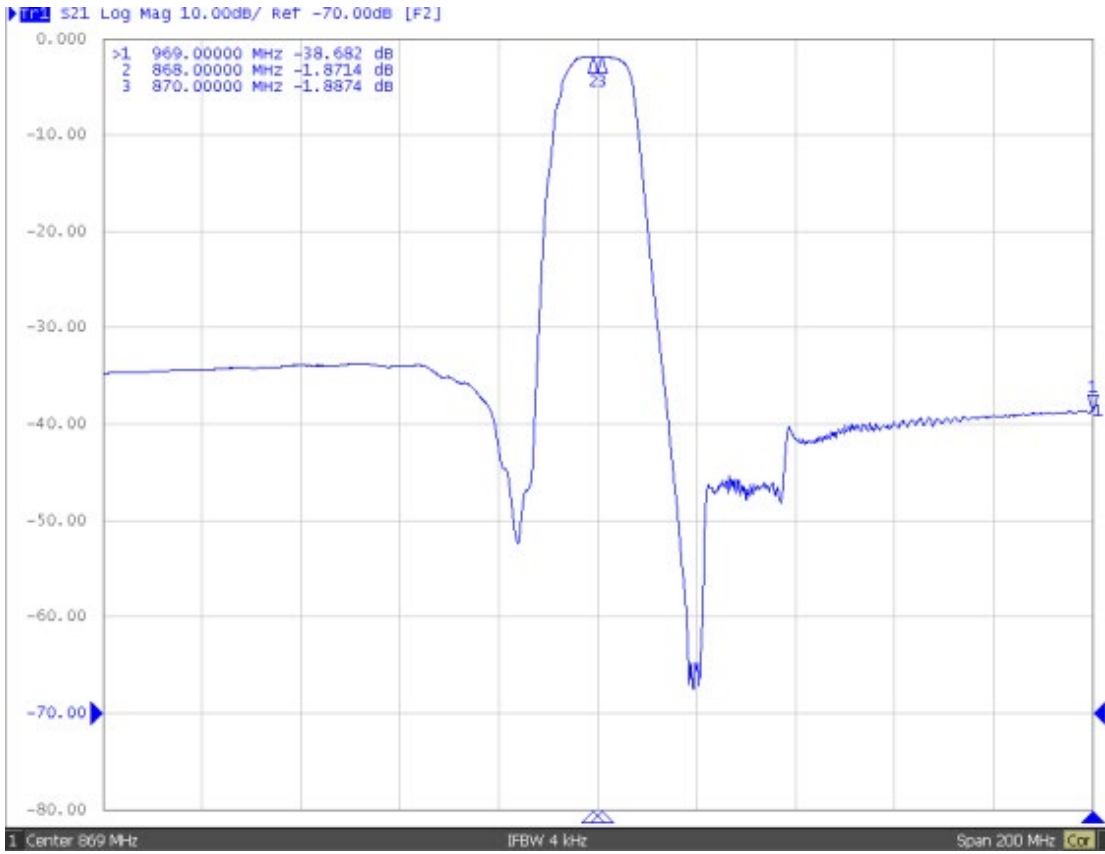
OUTLINE DRAWING:



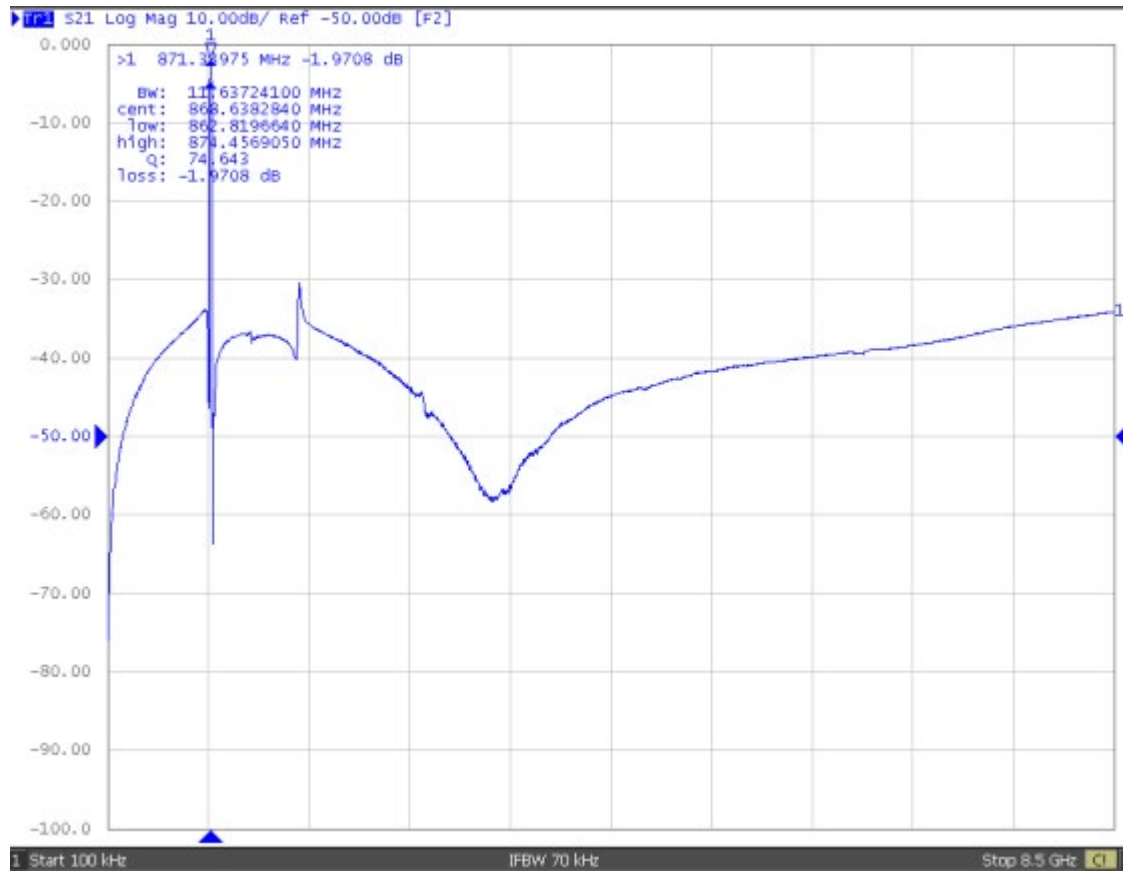
MEASUREMENT CIRCUIT:



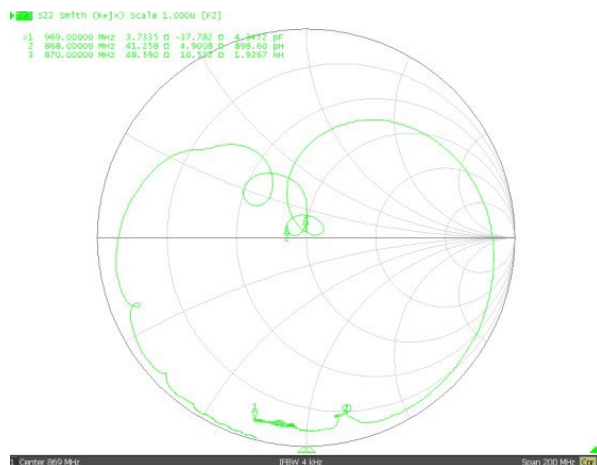
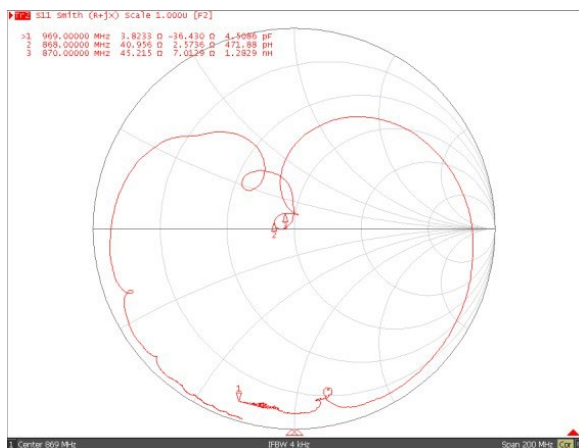
Frequency Characteristics: S21 response: span 100 MHz



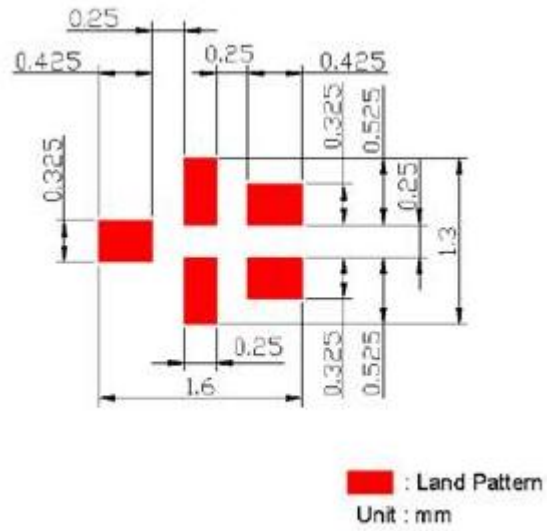
S21 response: span 8.5 GHz



S11/S22 response:

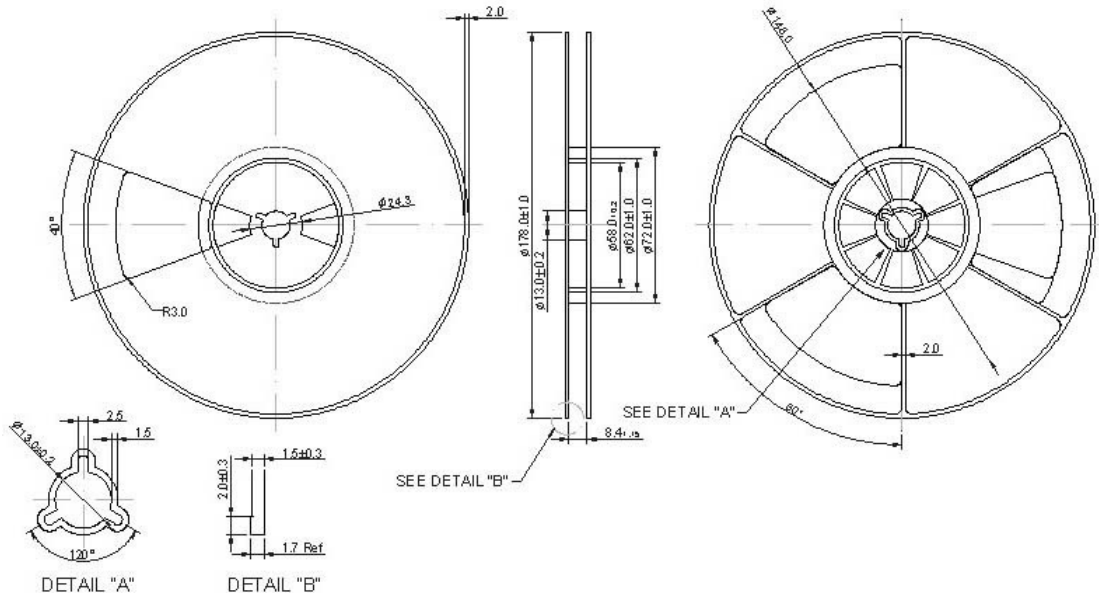


FOOT PRINT:

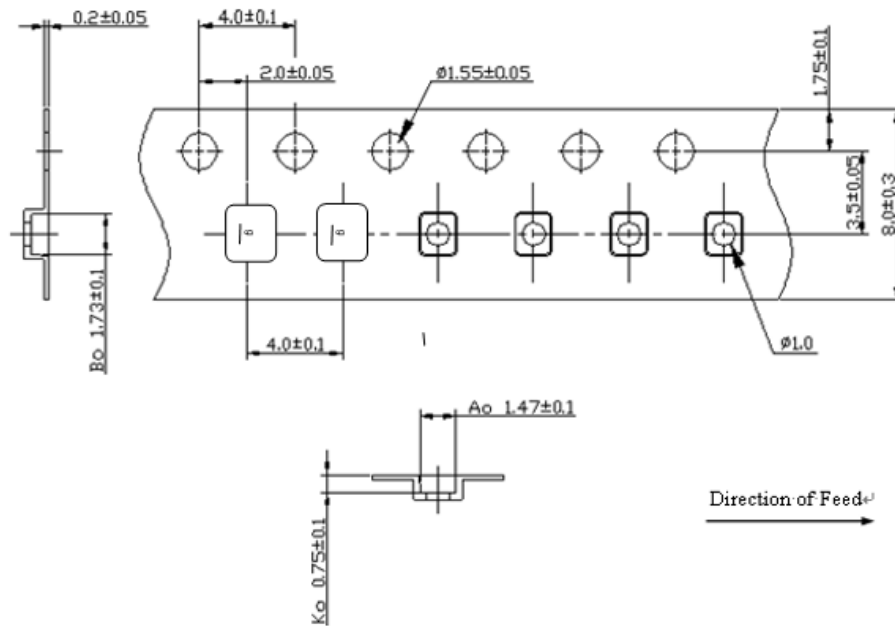


PACKING:
REEL DIMENSION

Reel Count: 7" = 3000



2. TAPE DIMENSION



Recommended Reflow Profile

1. Preheating shall be fixed at 150~180°C for 60~90 seconds.
2. Ascending time to preheating temperature 150°C shall be 30 seconds min.
3. Heating shall be fixed at 220°C for 50~80 seconds and at 260°C +0/-5°C peak (10 seconds).
4. Time: 5 times maximum.

