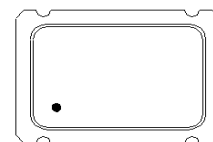


- **Crystal Oscillator**
- **Surface Mount Seam Weld Package**
- **Low Vibration Sensitivity**
- **Good Frequency Stability over Temperature**
- **Excellent Reliability**
- **Complies with Directive 2002/95/EC (RoHS)**

XO3001-1

**125 MHz
Crystal
Oscillator**



**SM7050-4
7x5 mm Case**

Electrical Characteristics

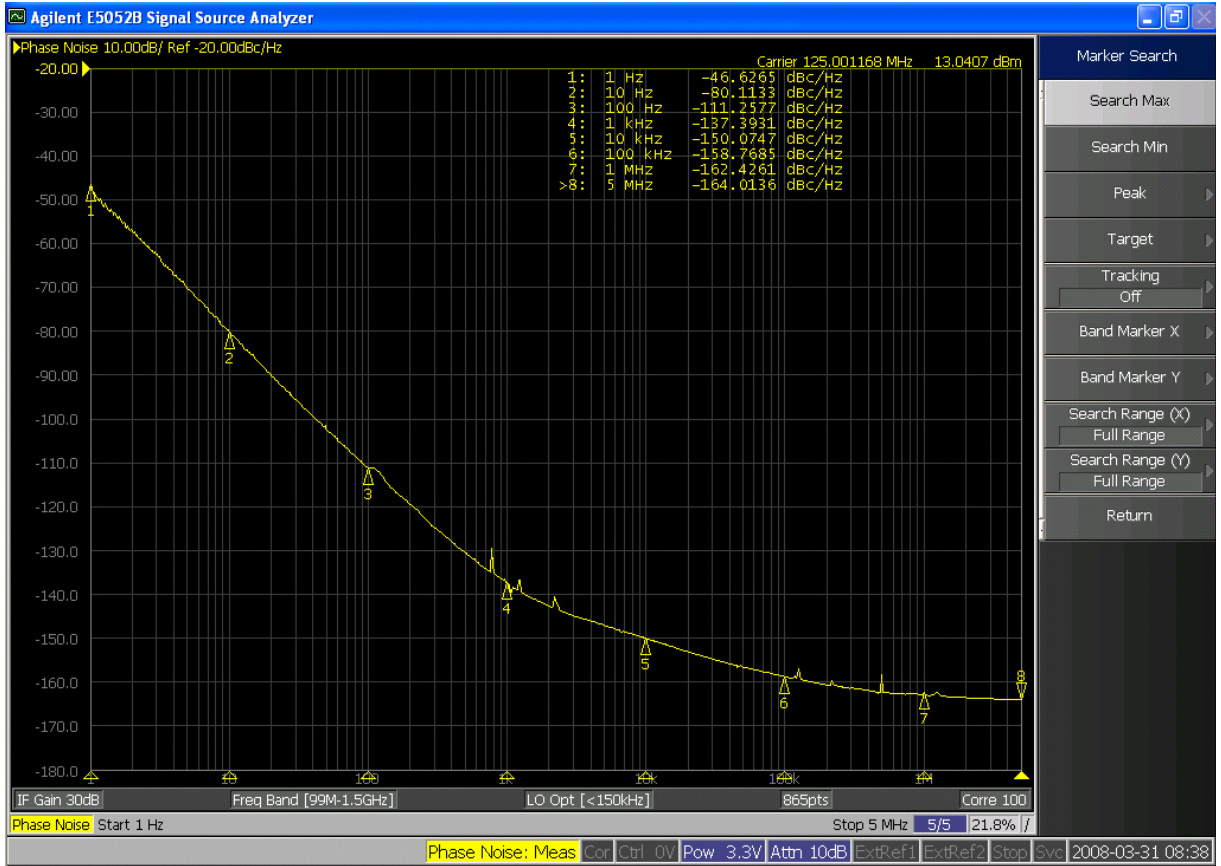
Characteristic	Sym	Notes	Minimum	Typical	Maximum	Units
Nominal Frequency	fo			125.000000		MHz
Storage Temperature Range			-55		+125	°C
Operating Temperature Range			-40		+85	°C
Power Supply Voltage	Vcc		2.97	3.30	3.63	V
Load			10 K Ω 15 pF (HCMOS)			
"0" Level					0.33	V
"1" Level			2.97			V
Power Supply Current	Icc				35	mA
Frequency Accuracy, -20 to +70 °C					\pm 50	ppm
Frequency Accuracy, -40 to +85 °C		1			\pm 80	ppm
Aging at 25 °C					\pm 1	ppm/yr
Duty Cycle			40% to 60%			
Rise Time (10% to 90% of final RF level in Vp-p)					10	ns
Fall Time (90% to 10% of final RF level in Vp-p)					10	ns
Enable/Disable Function			PIN 1: High or Open, PIN 3: Enable PIN 1: Low, PIN 3: Disable			
Standard Shipping Quantity on 180 mm (7") Reel				1000		units
Lid Symbolization (in addition to Lot and/or Date Codes)			3001-1 , <u>YWWS</u>			



CAUTION: Electrostatic Sensitive Device. Observe precautions for handling.

NOTES:

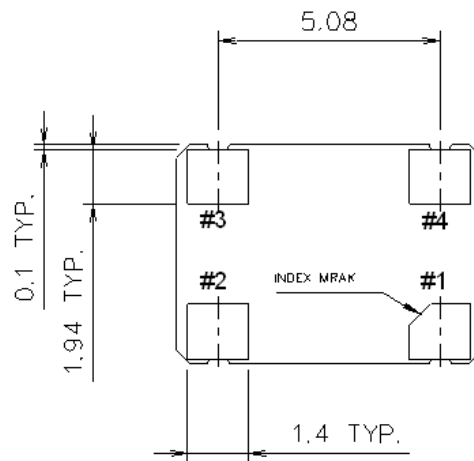
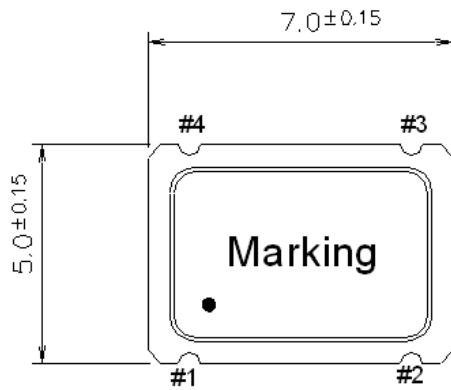
- The design, manufacturing process, and specifications of this device are subject to change.
- U.S. or International patents may apply.
- RoHS compliant from the first date of manufacture.



Typical Phase Noise Result

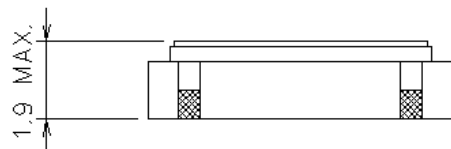
4-Terminal Surface-Mount Seam Weld Case

7.0 x 5.0 mm Nominal Footprint

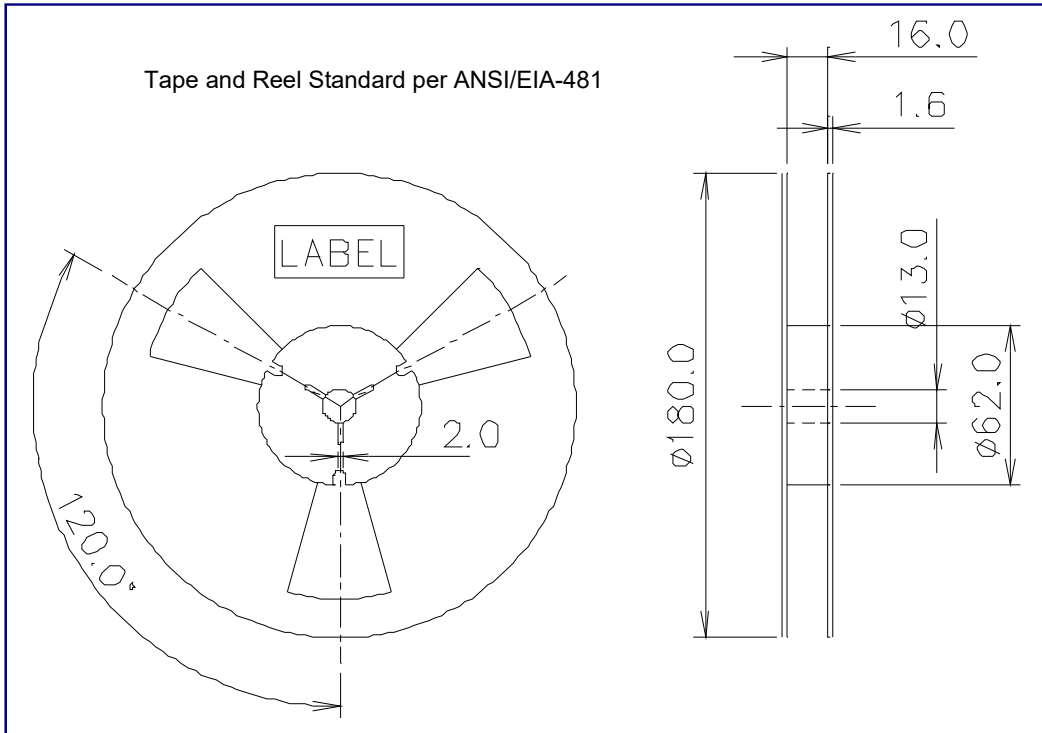


Pin Connection

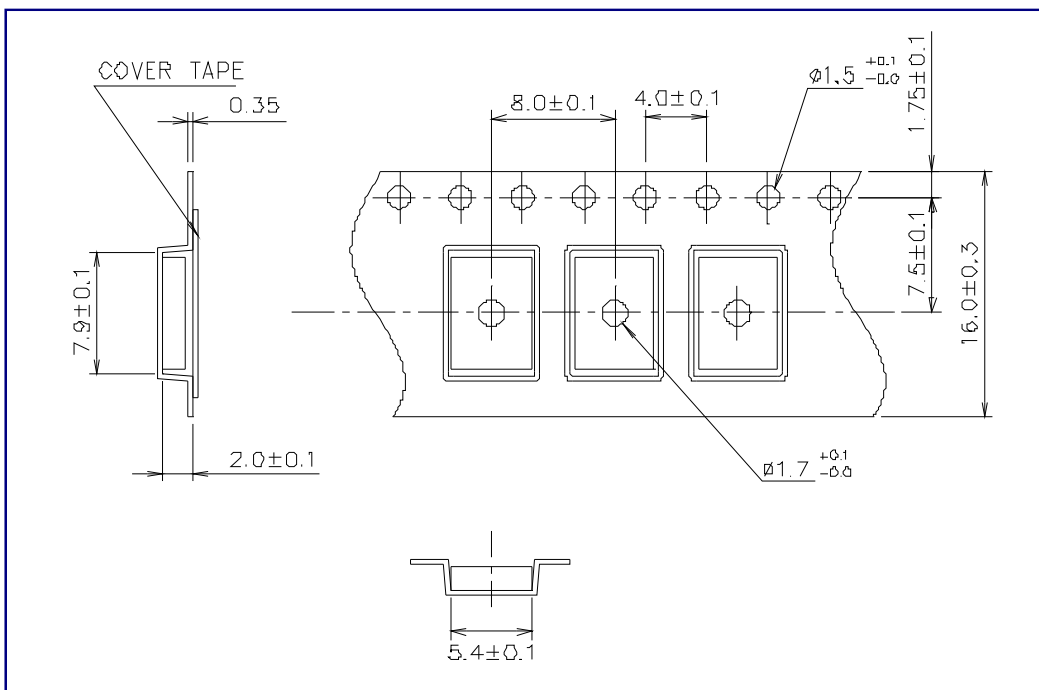
- #1 OE
- #2 GND
- #3 Output
- #4 VDD



Reel Dimensions in mm (7" nominal diameter)



Tape Dimensions in mm



Recommended Reflow Profile

1. Preheating shall be fixed at 150~180°C for 60~90 seconds.
2. Ascending time to preheating temperature 150°C shall be 30 seconds min.
3. Heating shall be fixed at 220°C for 50~80 seconds and at 260°C +0/-5°C peak (10 seconds).
4. Time: 5 times maximum.

